

Wylie Public Arts Advisory Board Regular Meeting

April 18, 2024 – 6:00 PM

Council Chambers - 300 Country Club Road, Building #100, Wylie, Texas 75098



CALL TO ORDER

COMMENTS ON NON-AGENDA ITEMS

Any member of the public may address Board regarding an item that is not listed on the Agenda. Members of the public must fill out a form prior to the meeting in order to speak. Board requests that comments be limited to three minutes for an individual, six minutes for a group. In addition, Board is not allowed to converse, deliberate or take action on any matter presented during citizen participation.

DISCUSSION ITEMS

[DS1.](#) Discussion regarding the 2024-2025 Phase 3 Walking Trails Art

[DS2.](#) Discussion regarding Walking "Trails, Phase 2 by Yoshi Wright

DS3. Discussion regarding the 2024 Bluegrass on Ballard

DS4. Discussion regarding the Promotional materials for events

REGULAR AGENDA

[1.](#) Consider and act upon, the Public Arts Advisory Board Minutes of 3-21-2024

ADJOURNMENT

CERTIFICATION

I certify that this Notice of Meeting was posted on April 12, 2024 at 5:00 p.m. on the outside bulletin board at Wylie City Hall, 300 Country Club Road, Building 100, Wylie, Texas, a place convenient and readily accessible to the public at all times.

Stephanie Storm, City Secretary

Date Notice Removed

The Wylie Municipal Complex is wheelchair accessible. Sign interpretation or other special assistance for disabled attendees must be requested 48 hours in advance by contacting the City Secretary's Office at 972.516.6020. Hearing impaired devices are available from the City Secretary prior to each meeting.

If during the course of the meeting covered by this notice, the Board should determine that a closed or executive meeting or session of the Board or a consultation with the attorney for the City should be held or is required, then such closed or executive meeting or session or consultation with attorney as authorized by the Texas Open Meetings

Act, Texas Government Code § 551.001 et. seq., will be held by the Board at the date, hour and place given in this notice as the Board may conveniently meet in such closed or executive meeting or session or consult with the attorney for the City concerning any and all subjects and for any and all purposes permitted by the Act, including, but not limited to, the following sanctions and purposes:

Texas Government Code Section:

§ 551.071 – Private consultation with an attorney for the City.

§ 551.073 – Discussing prospective gift or donation to the City.

§ 551.076 – Discussing deployment of security personnel or devices or security audit.



SONNY BEHAN
MULTIDISCIPLINARY ARTIST
MURALS | PAINTING | SCULPTURE



BIOGRAPHY

Sonny Behan, also known as Sonny Sundancer, is an acclaimed artist renowned for his magnificent large-scale wildlife murals and intricately detailed oil paintings. His art, which seamlessly blends realism with abstraction, can be found in galleries and streets worldwide, from South Africa to New York. His bold use of color and dynamic compositions capture the movement of the animals he brings to life.

Born in the UK, Sonny was raised in South Africa from the age of ten, a

time that sparked his passion for wildlife. His global mural tour and solo exhibition in New York in 2018 marked the beginning of a meteoric rise, leading to an increasing demand for his art.

Now based out of Miami, Sonny has expanded his artistic repertoire to include intricate bronze sculptures, including a large-scale public sculpture at the United Nations HQ in NYC.



CONSERVATION PARTNERSHIPS

PAINTING A BRIGHTER FUTURE FOR ENDANGERED WILDLIFE

Sonny's passion for using his creativity to highlight the need to protect and preserve the natural world has earned him the reputation of being an artist who is deeply engaged and driven to make an impact. To this end, he has collaborated with prominent non-profits and organizations, such as World Wildlife Fund, United Nations, UNICEF, IFAW, Global Citizen and Discovery Inc., to create public art installations and campaigns to raise funds and awareness for conservation efforts.



Food and Agriculture Organization of the United Nations



CAREER HIGHLIGHTS



GLOBAL, 2017

GLOBAL MURAL TOUR FOR WILDLIFE

In 2017 Sonny launched his To The Bone project with a global mural tour that brought some of the world's most iconic and endangered animals into urban environments around the world. He painted ten large-scale murals of endangered species in seven countries from New York to Vladivostok, Johannesburg to London.



NYC, 2018 & 2021

SPEAKER & ADVOCATE AT UNITED NATIONS

Sonny has twice had the honour of speaking at the world's most prestigious international organization; the United Nations. In 2018 he participated in their Earth Day panel to highlight the powerful ways young people are using creativity and innovation to protect our environment. In 2021 he was involved in a discussion around big cats as part of the UN General Assembly SDG Media Zone.



NYC, 2018

SOLO EXHIBITION IN MANHATTAN

Sonny's first and highly-anticipated solo exhibition of his canvas work, along with a series of hand-painted skull sculptures. The sell-out show explored the precarious balancing act that exists between mankind and the animal kingdom. The exhibition had a fantastic turnout with people queuing around the block to attend the opening evening.



NYC, 2021

MONUMENT AT UNITED NATIONS

Together with Discovery, Sonny unveiled a large-scale bronze tiger statue at the United Nations headquarters in New York to celebrate tigers and raise awareness for endangered species ahead of the 76th session of the UN General Assembly. The sculpture, also draws attention to the UN's Decade on Ecosystem Restoration.



NYC, 2021

CLOSING THE STOCK EXCHANGE IN NYC

Sonny was invited to the Nasdaq MarketSite in Times Square to ring the closing bell in honor of the unveiling of his tiger statue at the United Nations, and to celebrate tiger conservation successes around the globe, including efforts by Discovery's Project CAT. His tiger statue was also showcased on the seven-stories-tall Nasdaq tower screened onto its 10,000 square foot billboard



HOUSTON, 2022

10,000 SQFT MURAL FOR THE UN SDG'S

Sonny was commissioned to paint a 10,000 sq ft mural (his largest to date) as part of the Houston Big Art Bigger Change project in partnership with Downtown Houston. The project aimed to amplify awareness on social and environmental issues inspired by the United Nations Sustainable Development Goals.

IN THE NEWS



SUNDAY TIMES

THE BIG FIVE JUST GOT BIGGER

Meet the artist with a game plan for the world

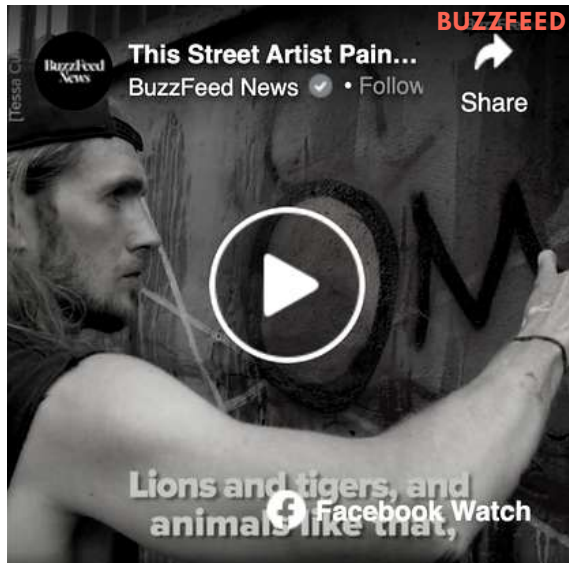
I was invited to paint the lion's head on the top of a building on the corner of 7th and Broadway in Times Square. It's a massive mural, and I'm excited to be part of it. I've been painting murals for a while, and this is a real challenge. I love a challenge, and I love to create art that makes people think.

Sonny is doing in collaboration with the International Fund for Animal Welfare. Collectively called The Big Five, the murals will be painted on buildings in different parts of the world to draw attention to animals and their habitats. It's a mission to raise awareness and inspire people to take action. I'll be painting a gorilla next in London's Covent Garden.



used back in a money portrait. I've won 20 awards for my work with my partner from Manhattan to South Africa. I remember looking out the window as we landed and thinking there were going to be cheetahs and all kinds of animals in the room. So I thought, let me create a mural that's a tribute to the animals that live in our world. I'll be painting a gorilla next in London's Covent Garden. I'll be painting a gorilla next in London's Covent Garden. I'll be painting a gorilla next in London's Covent Garden.

Linkin - 23-08-2017 - Shiny Stone



BUZZFEED

This Street Artist Pain...
BuzzFeed News • Follow

Share

Lions and tigers, and animals like that,
Facebook Watch



CLOSING THE MARKETS
NASDAQ NYC

Nasdaq



FORBES

FOX 5 News Weather Good Day NY Contests

Street artist Sonny set for first gallery exhibit

f t i



Rooftop mural New York Lion

FOX5

FOX NEWS



TIMES SQUARE, NYC

Nasdaq

EXAMPLES OF SCULPTURAL WORK

In 2021 Sonny unveiled a large-scale (10ft) public sculpture at the United Nations Headquarters in NYC during the UN General Assembly in partnership with Discovery Inc. to bring attention to the plight of wild tigers.

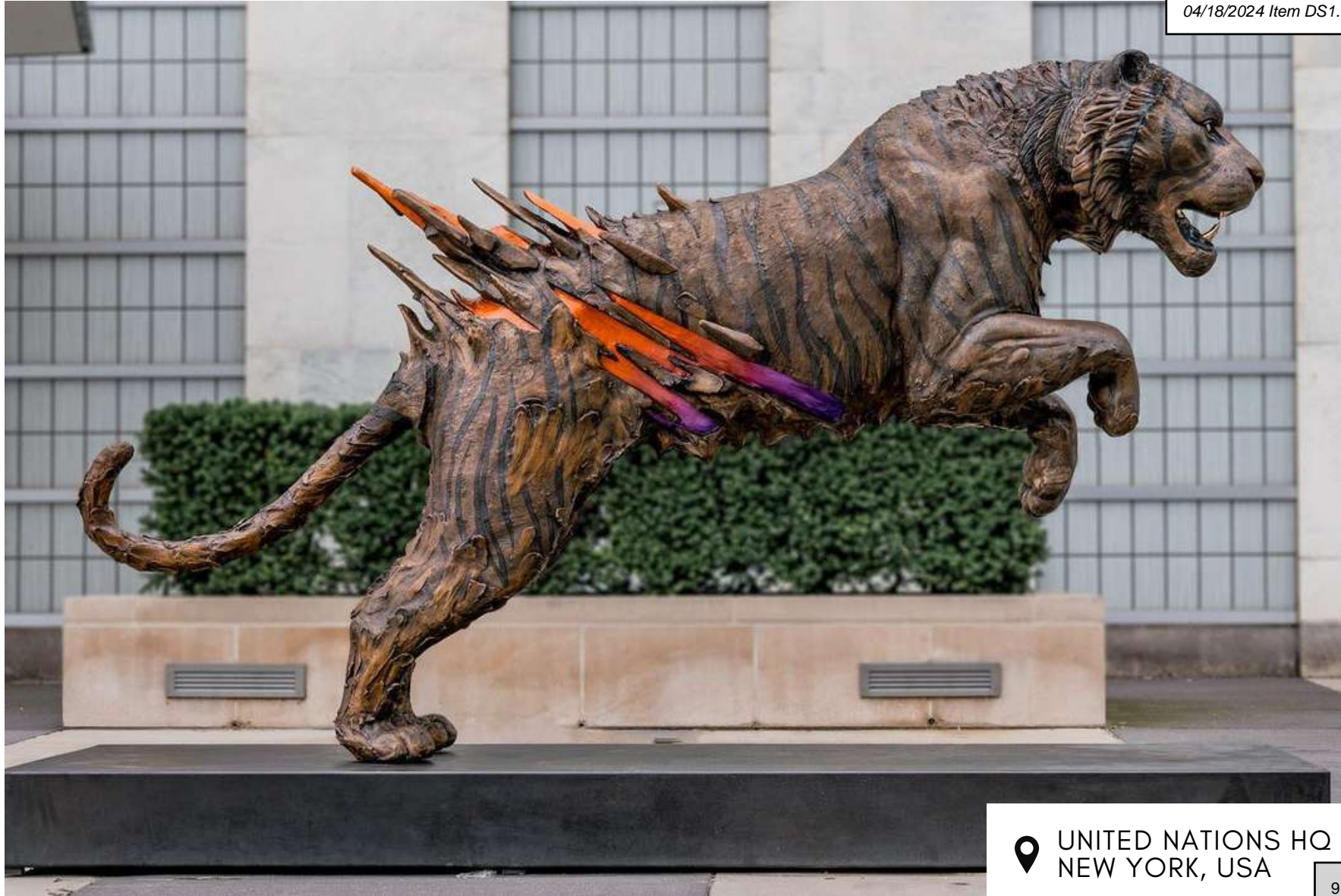


'Abhaya'

Bronze

L - 114" x H 61" x D 38"

GIFT OF LUXEMBOURG
1988

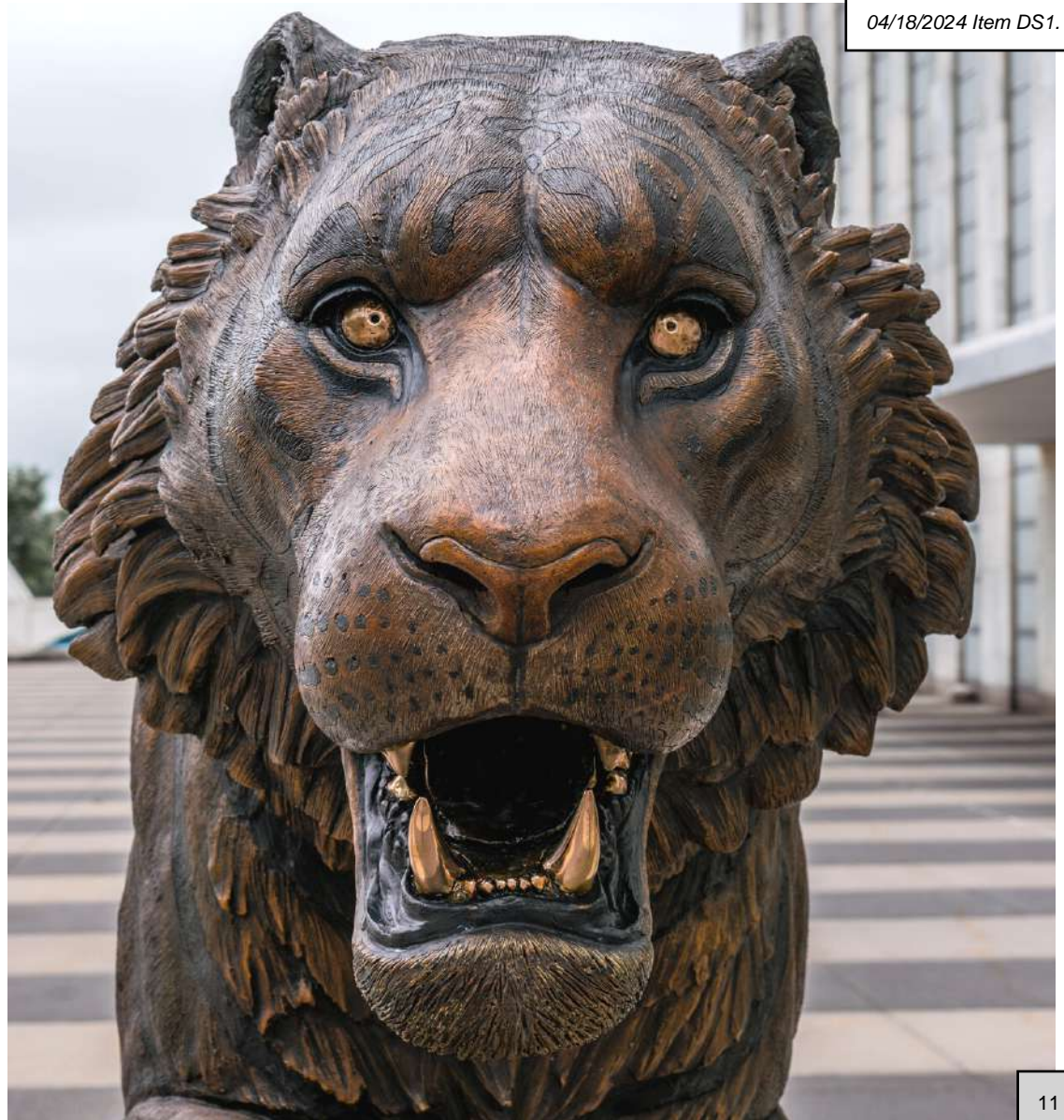


UNITED NATIONS HQ
NEW YORK, USA



On September 20 2021, Sonny Behan together with Discovery, unveiled a large-scale bronze tiger statue at the United Nations (UN) headquarters in New York to celebrate tigers and raise awareness for endangered species ahead of the 76th session of the UN General Assembly. The sculpture, placed at the entrance of the UN Plaza next to the renowned 'Non-Violence' sculpture, also draws attention to the UN's Decade on Ecosystem Restoration, a call for the protection and revival of ecosystems around the world for the benefit of people and nature.

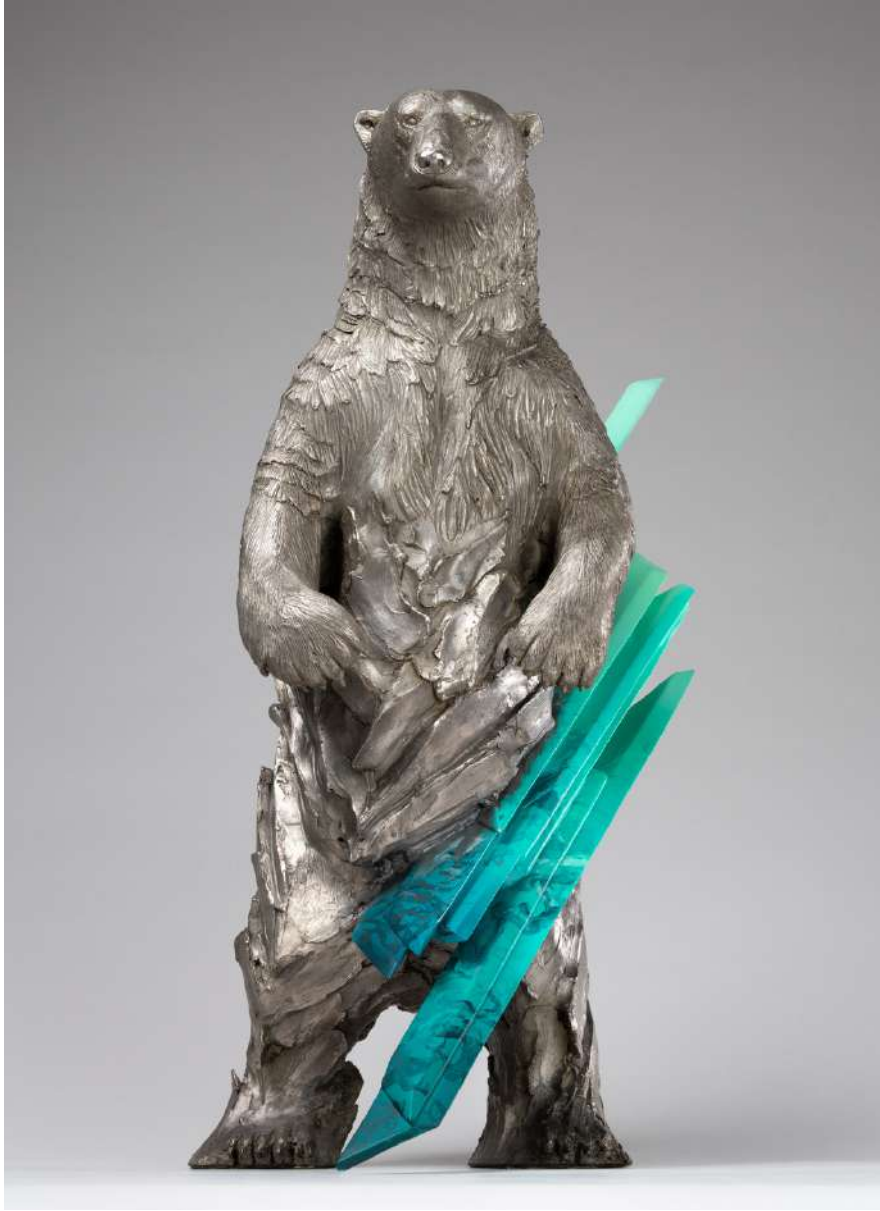
This public artwork was created in collaboration with Discovery's Project C.A.T. campaign, launched in partnership with World Wildlife Fund (WWF), which supports nearly six million acres of tiger habitat across India, Bhutan and Russia. The ambitious project took over a year to bring to life, from conceptualisation to installation and was publicly unveiled at the iconic bell ringing ceremony to close the markets at the Nasdaq Market Site in Times Square.



04/18/2024 Item DS1.



'Siku'
Bronze
H - 23.2" x W - 11.5" x D - 11"



'Terra'

Bronze

H - 6.6" x W - 14.1" x D - 8.5"

04/18/2024 Item DS1.

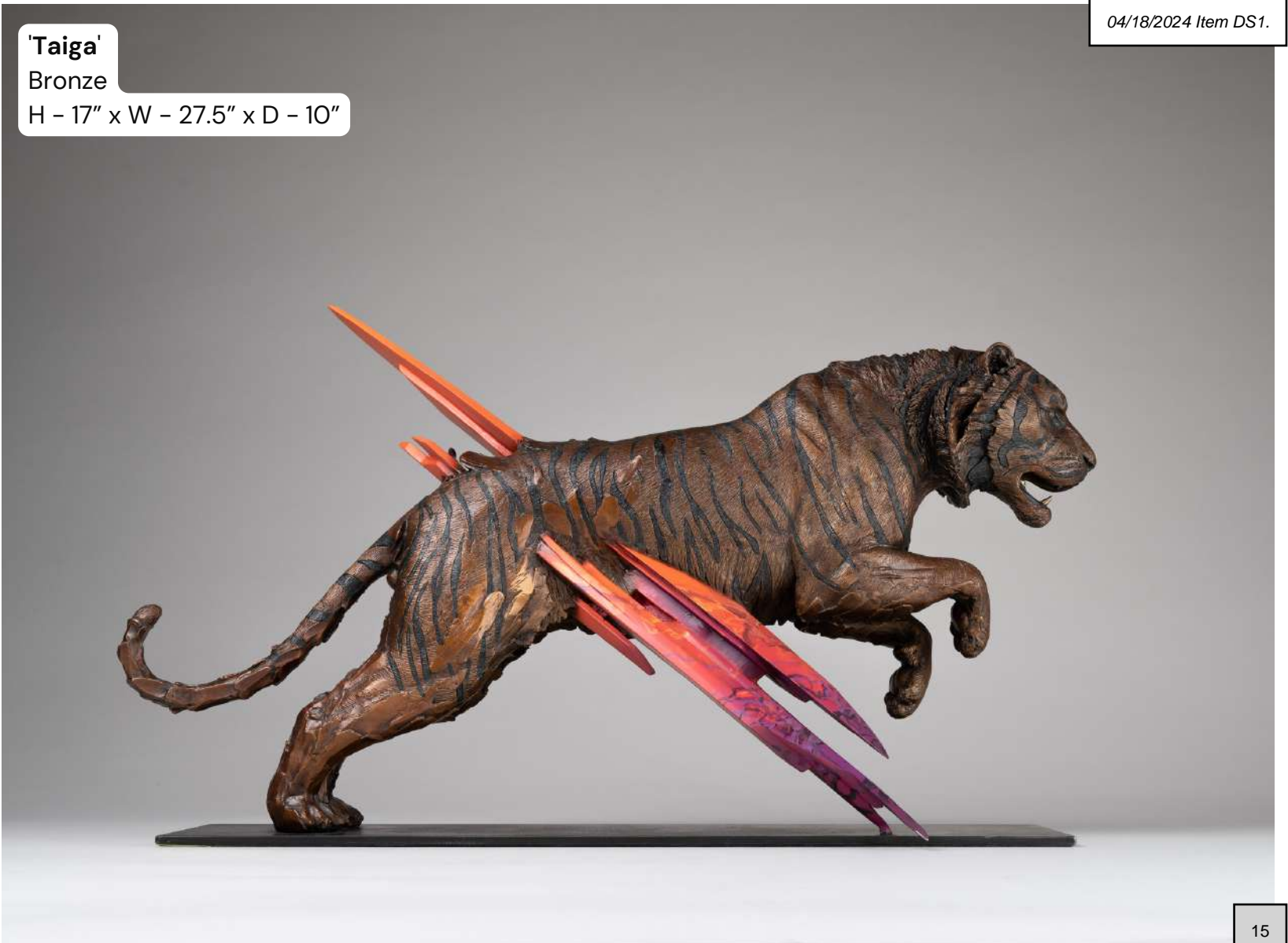




'Savanna'
Bronze
H - 16" x W - 19" x D - 9"



'Taiga'
Bronze
H - 17" x W - 27.5" x D - 10"



'Tundra'

Bronze

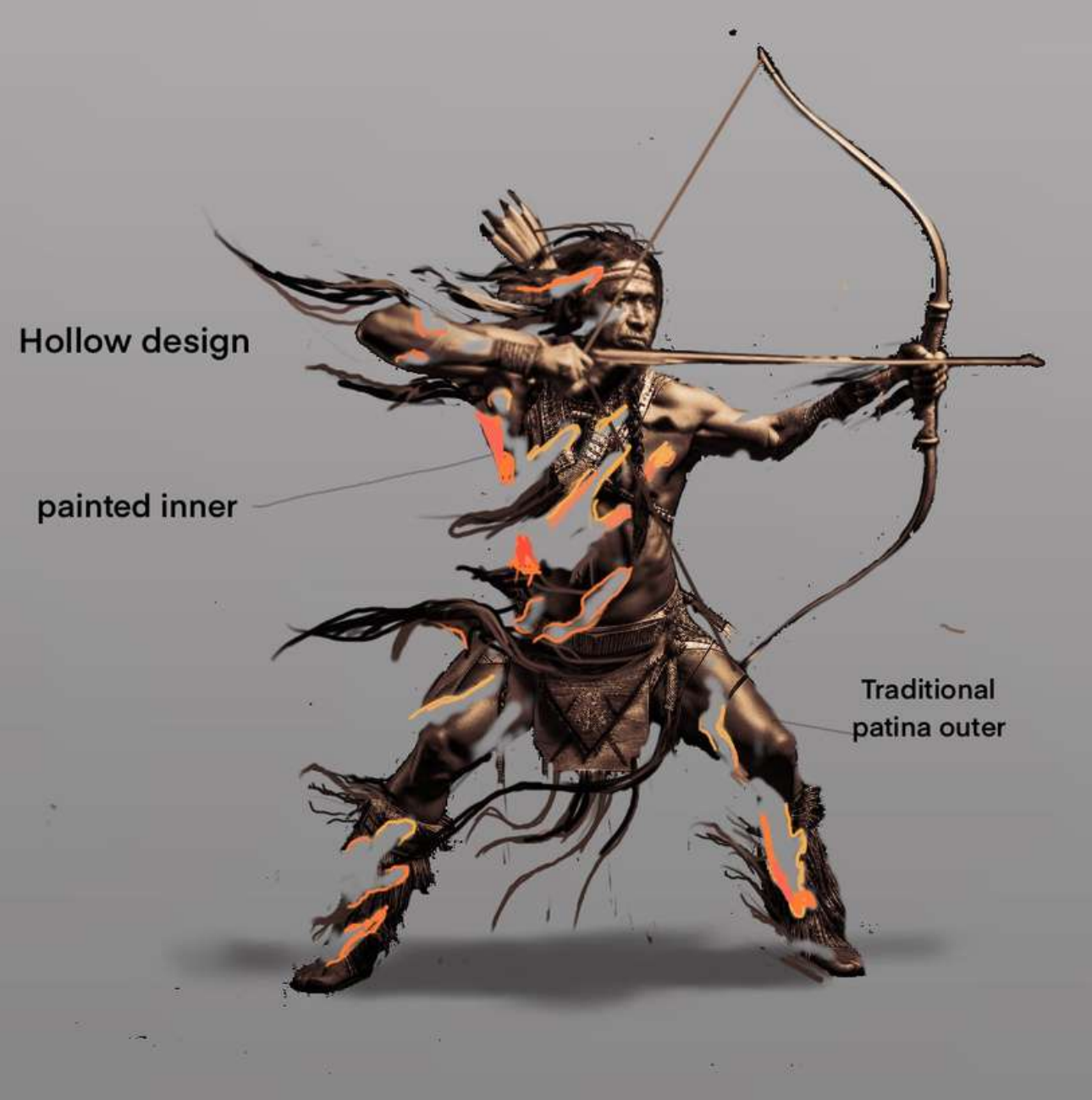
H - 9.5" x W - 14" x D - 7"

04/18/2024 Item DS1.

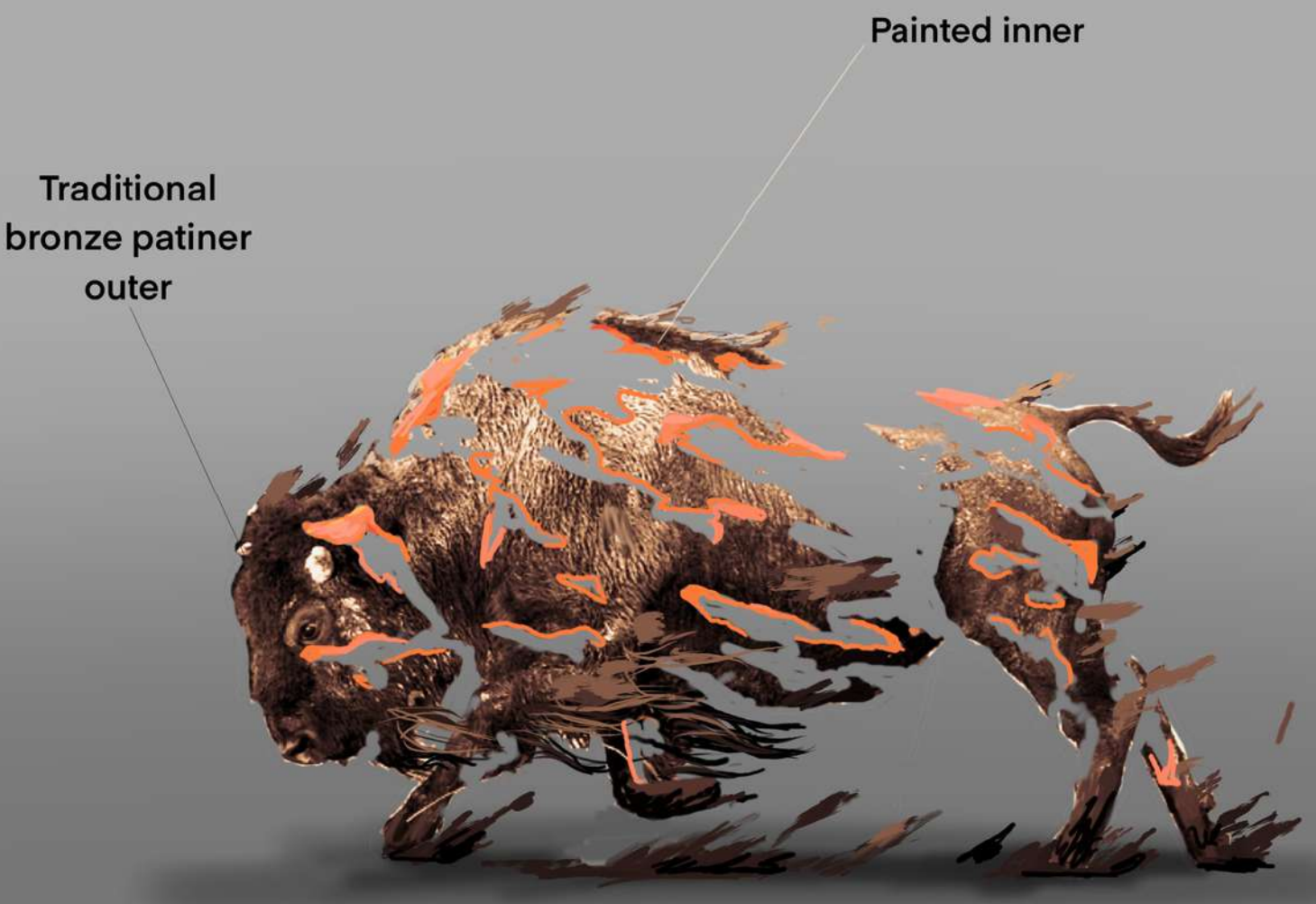


CONCEPTUAL IDEAS FOR WYLIE SCULPTURES





- **Interactive Sculptures:** The concept involves two sculptures that interact with each other in a meaningful way.
- **Caddo Tribesman in Action:** The primary focus of one sculpture is a life-sized Caddo tribesman in the midst of shooting his bow. The sculpture aims to capture the essence of strength, artistry, innovation, focus, and grace inherent in the Caddo culture.
- **Elements of Motion:** Both sculptures incorporate elements that convey a sense of movement, including details such as flowing hair, billowing clothing, and scattered dirt.
- **Fragmented Hollow Design:** A distinctive feature of both sculptures is their hollow, fragmented design, with approximately 50% to 60% of the structure intentionally missing. Despite this, the complete forms are still recognizable.
- **Traditional Exterior Patina:** The exterior of both sculptures is adorned with traditional patina, adding depth and character to their appearance.
- **Internal Color Sand Patterns:** On the inside, both sculptures are painted with vibrant color patterns that represent the Caddo tribe, adding cultural significance to the artworks as well as a contemporary flair.



- **Dynamic Bison Sculpture:** The second sculpture is a life-sized bison in action, running through a cloud of dust. This depiction emphasizes the bison's powerful and graceful attributes, creating a sense of speed and vigor.
- **Frozen in Time:** These sculptures are designed to freeze a moment in time, capturing a memory as it forms, encapsulating the essence of a particular moment in history.
- **Appearance and Disappearance:** The sculptures create a captivating illusion of both appearing and disappearing, generating a sense of constant movement and change.
- **Spatial Interaction:** Although set far apart from each other, the sculptures are strategically placed to interact visually from a distance, forming a harmonious composition and allowing viewers an educational experience.
- **Illusory Movement:** The combination of hollow elements, fragmented design, and internal colors creates an optical effect where the sculptures appear to move and change as viewers walk around them, especially as lighting conditions shift.

FEASIBILITY CONSIDERATIONS

Hollowness for Budget Constraints: Careful consideration must be given to the degree of hollowness to ensure that the sculptures remain life-sized while staying within the budgetary constraints.

Low Ground Mounting for Realism and Cost Efficiency: Suggesting low-to-the-ground mounting not only enhances the sculptures' realism but also reduces the costs associated with base plinths and installation.

Prioritizing Safety: It is crucial to design the sculptures with safety in mind, avoiding sharp edges or protruding pieces that could pose a risk to viewers or maintenance personnel.

Dual Budgets for Cost Reduction: Combining the budgets for each sculpture could potentially lead to reduced costs in fabrication, shipping, installation, engineering, and other associated expenses. This approach may provide more flexibility and efficiency in managing the project without sacrificing in scale and impact.



www.sonnyc.com

04/18/2024 Item DS1.

tess@sonnyonline.com

[@sonnysundancer](https://www.instagram.com/sonnysundancer)

[@sonnyartist](https://www.facebook.com/sonnyartist)



SACRED FIRE

SOIL TO CREATE MOUND TO BE MOIST AND COMPACTED WITH VIBRATOR IN 8" LIFTS
 STABILIZED SOIL MAY BE EASILY FRACTURED AS NEEDED FOR SHAPE
 STABILIZED SOIL MUST DIRECTLY SUPPORT BASE OF CONCRETE PAD

* 6" THICK CONCRETE, USE QUICKCRETE CRACK RESISTANT CONCRETE MIX

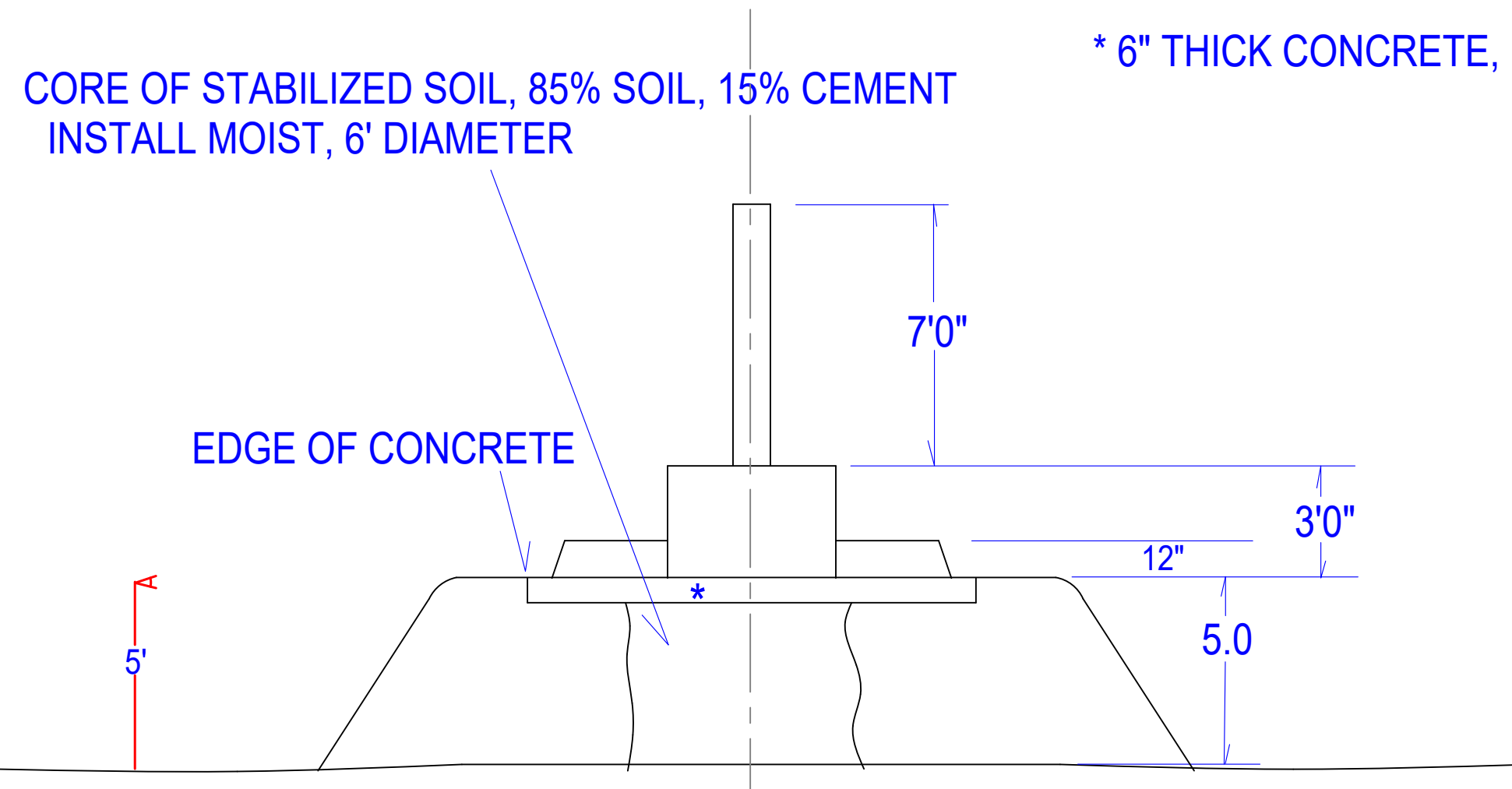
CONNECTIONS WITH SS WIRE EVERY 10"



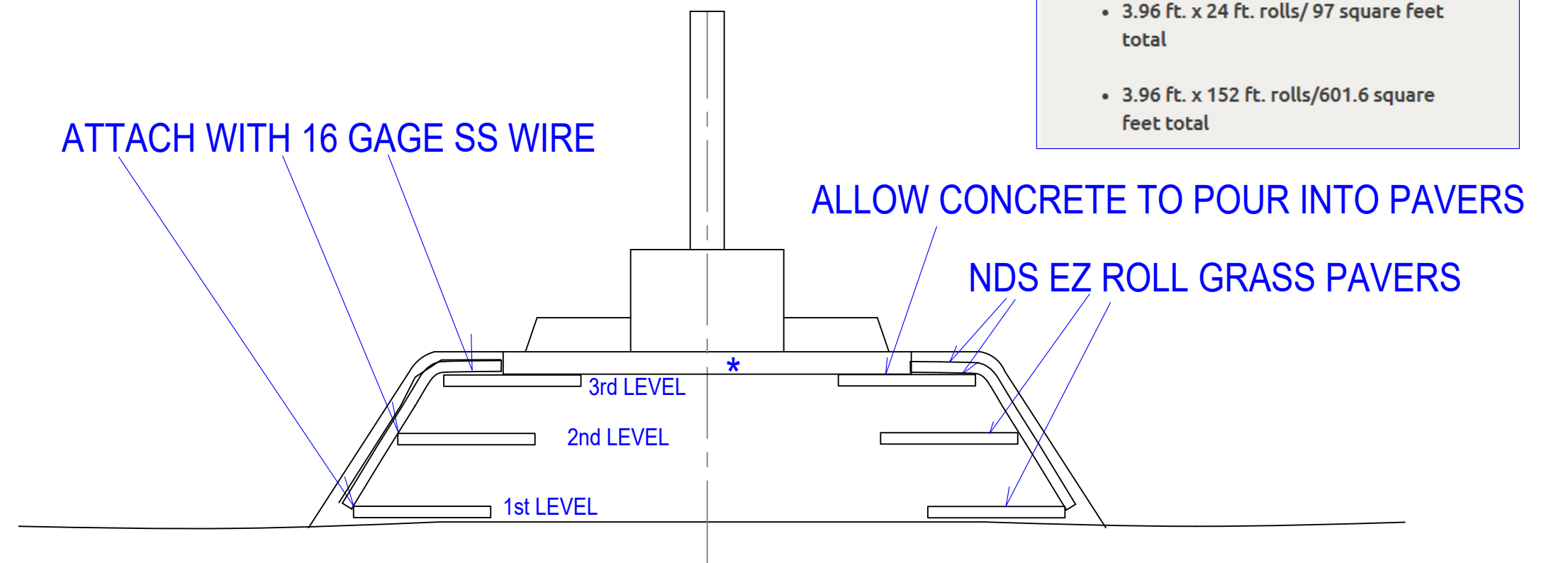
EZ Roll™ Grass Paver

Available in:

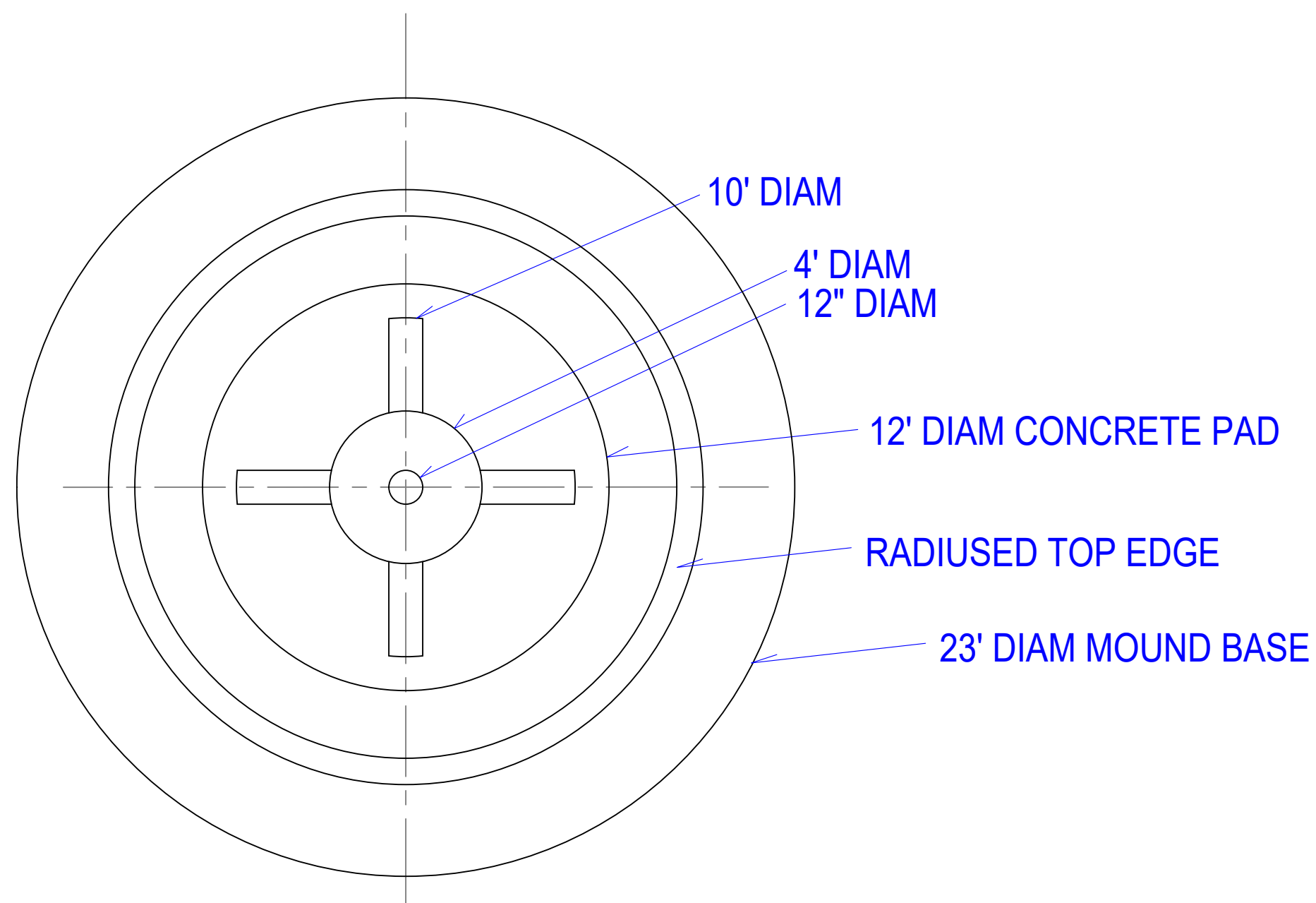
- 3.96 ft. x 24 ft. rolls/ 97 square feet total
- 3.96 ft. x 152 ft. rolls/601.6 square feet total



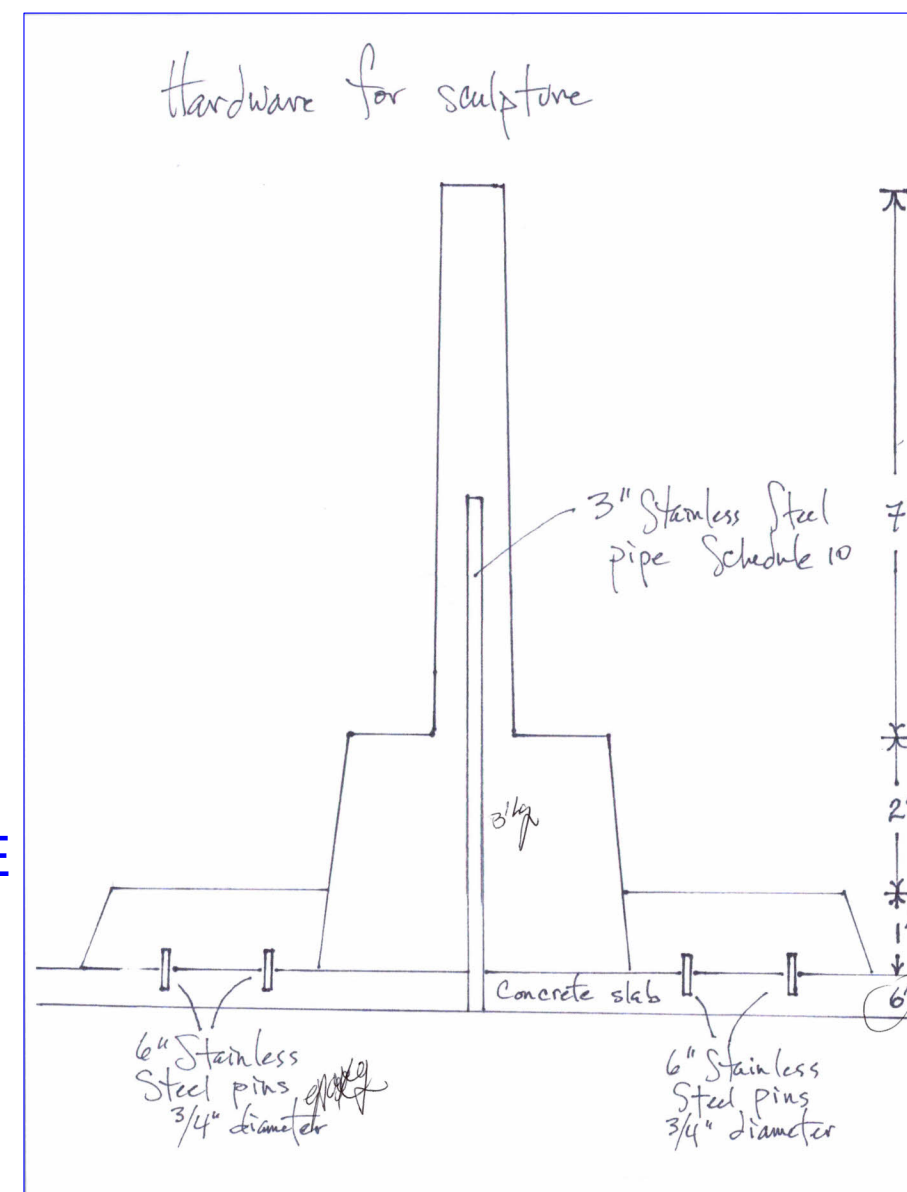
CONCRETE, SCULPTURE, AND MOUND SIDE VIEW



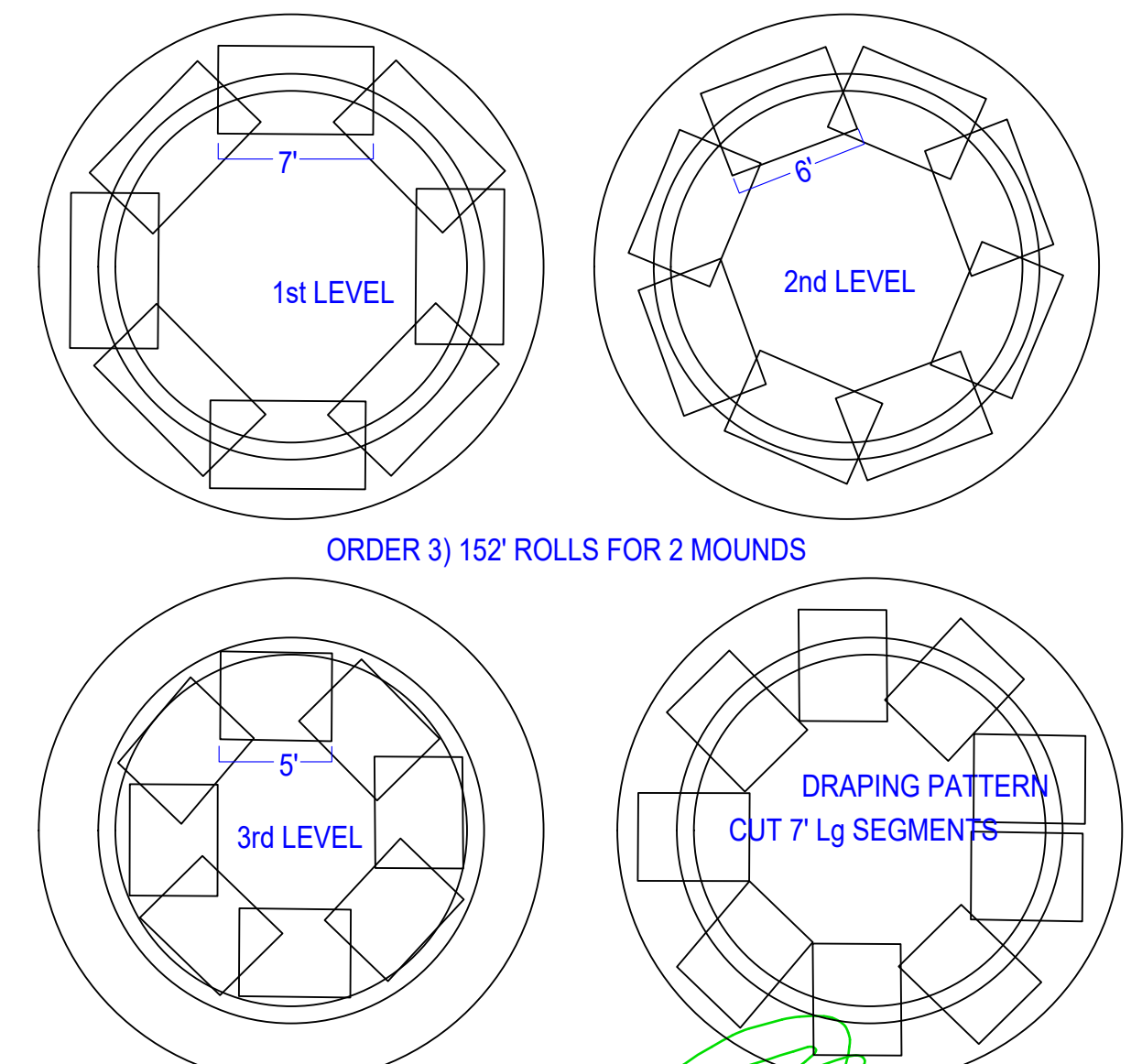
SOIL STABILIZATION DETAIL



CONCRETE, SCULPTURE, AND MOUND TOP VIEW



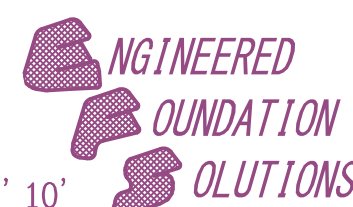
HARDWARE



PAVER LAYOUTS

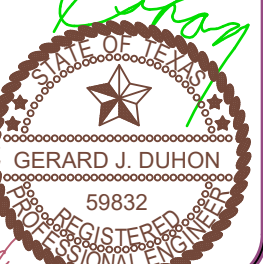
www.texasengineer.com / www.efolutions.us / gerard@texasengineer.com / 281-788-7393

0 1' 2' 3' 4' 5' 6' 7' 8' 9' 10'
 UNO: SCALE 1/4 INCH = 1 FOOT



F-12259


PROJECT ADDRESS	WYLIE, TEXAS	DATE	3-18-2024
TITLE	YOSHISTONE OUTDOOR SCULPTURES	DRAWN	GJD
DWG#	S2	SHT	2/2



18X24

3-18-24

ANCESTOR'S VOICE

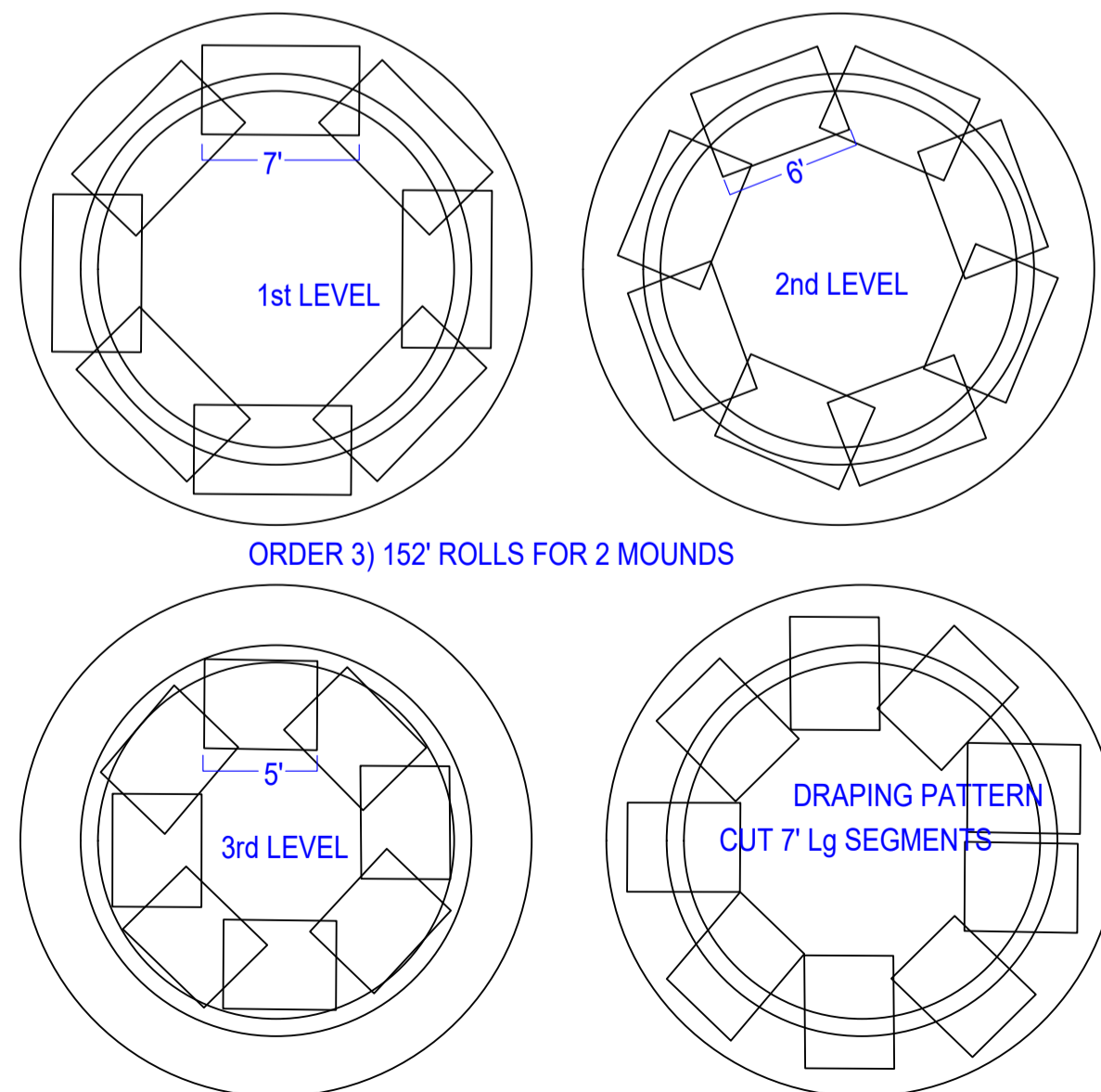
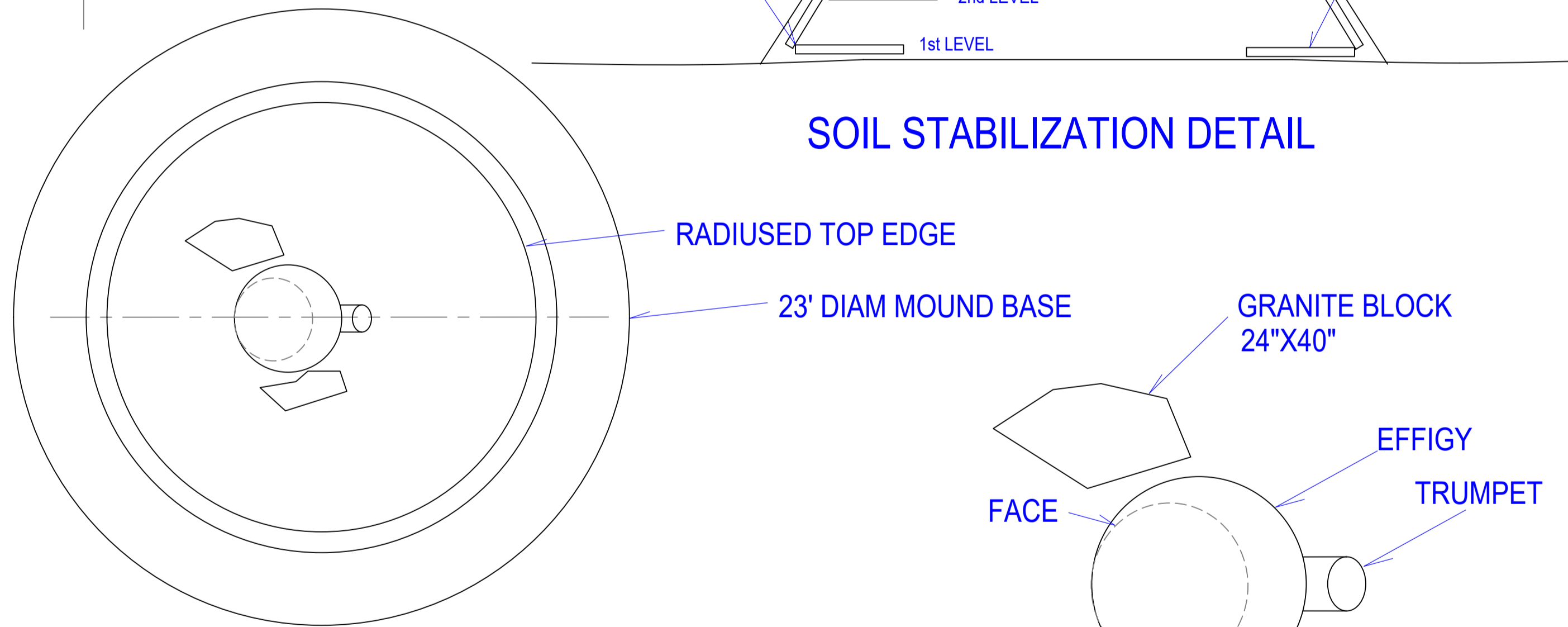
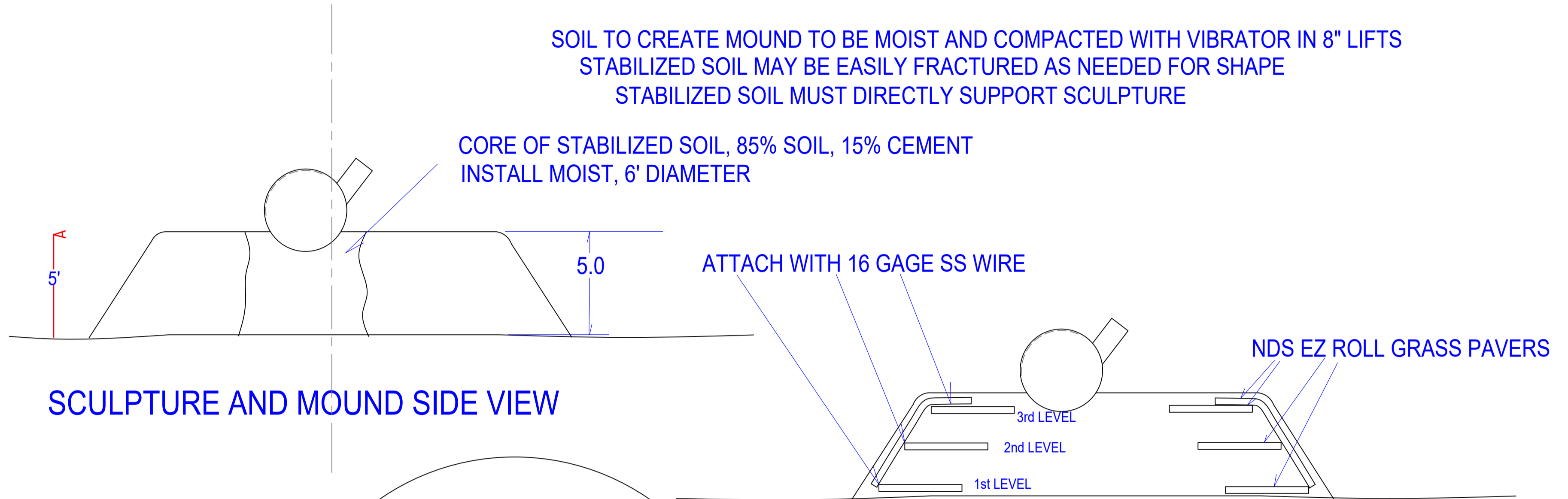


EZ Roll™ Grass Paver

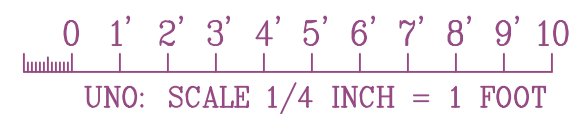
Available in:

- 3.96 ft. x 24 ft. rolls/ 97 square feet total
- 3.96 ft. x 152 ft. rolls/601.6 square feet total

SOIL TO CREATE MOUND TO BE MOIST AND COMPACTED WITH VIBRATOR IN 8" LIFTS
 STABILIZED SOIL MAY BE EASILY FRACTURED AS NEEDED FOR SHAPE
 STABILIZED SOIL MUST DIRECTLY SUPPORT SCULPTURE



PAVER LAYOUTS



www.texasengineer.com / www.efsolutions.us / gerard@texasengineer.com / 281-788-7393

PROJECT ADDRESS	WYLIE, TEXAS	DATE	3-18-2024
TITLE	YOSHISTONE OUTDOOR SCULPTURES	DRAWN	GJD
DWG#	S1	SHT	1/2



18X24

3-18-24



Public Arts Advisory Board

Minutes

Regular Meeting

March 21, 2024 – 6:00 p.m.

Wylie Municipal Complex – Council Chambers

300 Country Club Road, Bldg. 100

Wylie, TX 75098

CALL TO ORDER

Announce the presence of a Quorum.

The meeting was called to order by Chair Esther Bellah at 6:07 pm. Members present included: Board members Cassie Dyson, Steve Shank, and Anita Jones. Joseph Murdock, Gloria Suarez, and John Treadwell were absent.

PAAB Coordinator Carole Ehrlich was also in attendance.

CITIZENS COMMENTS ON NON-AGENDA ITEMS

Residents may address the Board regarding an item that is not listed on the Agenda. Residents must fill out a non-agenda form prior to the meeting in order to speak. The Board requests that comments be limited to three (3) minutes. In addition, the Board is not allowed to converse, deliberate, or take action on any matter presented during citizen participation.

No citizens were present to address the board.

DISCUSSION ITEMS

All matters listed under the Consent Agenda are considered to be routine by the Board and will be enacted by one motion. There will not be separate discussion of these items. If discussion is desired, that item will be removed from the Consent Agenda and will be considered separately.

- A. Discussion regarding the 2024/2025 Walking Rails, Phase 3 Projects**
(C. Ehrlich, Public Arts Advisory Board Coordinator)

Staff/Board Comments

PAC Ehrlich reported that she had presented a proposal by Sonny Behan to board members present at the February meeting. Some members were absent and she wanted to get feedback from them for a selective process for the 2024-25 Walking Trails, Phase 3 proposals by Sonny Behan (a semi-finalist in the 2023-24 Call for Artists).

Board members had a few questions regarding the backside of the sculptures, weight to withstand high winds, and any sharp edges that could injure someone. Ehrlich reported that the questions had been sent to artist Behan and she was waiting for a reply.

B. Discussion and update regarding the progress of the two 2024 art pieces by Yoshi Wright *(C Ehrlich, Public Arts Advisory Board Coordinator)*

Board Discussion

PAC Ehrlich reported that artist Wright has submitted the Texas certified engineer plans to the City Engineering Department and was waiting on an approval from staff. (Sacred Fire and Ancestor).

C. Discussion regarding the materials for a booth set up for the Wylie events. *(C Ehrlich, Public Arts Advisory Board Coordinator)*

Board Discussion

PAC Ehrlich reported that Public Information Officer Kelly had commented that the proposed flags and table cover be with the exact logo of the City. Board member Shank asked if the logo could be in white to offset some of the other colors used in the items. PAC Ehrlich stated that she would find out and report back to the board.

D. Discussion regarding the 2024 Bluegrass on Ballard. *(C Ehrlich, Public Arts Advisory Board Coordinator)*

Board Discussion

PAC Ehrlich reported that 58 applications had been approved and paid. She reported an additional 8 food vendors approved. She stated that she expected full vendor capacity by mid-June.

REGULAR AGENDA

1. Consider and act upon, the Public Art Advisory Board minutes of March 21, 2024

Board Action

A motion was made by board member Shank, seconded by board member Jones to approve the minutes of March 21, 2024 as presented. A vote was taken and the motion passed 4-0 with board members Treadwell, Suarez and Murdock absent.

ADJOURNMENT

Board Action

A motion was made by board member Jones, seconded by board member Shank to adjourn the meeting at 6:27 pm. A vote was taken and the motion passed 4-0 with board members Treadwell, Suarez and Murdock absent.

Esther Bellah, Chair

ATTEST:

Carole Ehrlich, Secretary