



FINANCE & ADMINISTRATION COMMITTEE & COMMITTEE OF THE WHOLE MEETING AGENDA

Wednesday, January 22, 2025, at 6:00 PM

Snoqualmie City Hall, 38624 SE River Street & Zoom

COMMITTEE MEMBERS

Chair: Bryan Holloway

Councilmembers: Jolyon Johnson and Cara Christensen

This meeting will be conducted in person and remotely using Zoom.

Join by Telephone: To listen to the meeting via telephone, please call **253.215.8782** and enter Webinar ID **880 1897 0598** and Password **1830050121** if prompted.

Press *9 to raise your hand to speak. Raising your hand signals the meeting moderator that you have a comment.
Press *6 to mute and unmute.

Join by Internet: To watch the meeting over the internet via your computer, follow these steps:

- 1) Click this [link](#)
- 2) If the Zoom app is not installed on your computer, you will be prompted to download it.
- 3) If prompted for Webinar ID, enter **880 1897 0598**; Enter Password **1830050121**
- 4) Please confirm that your audio works prior to participating.

CALL TO ORDER & ROLL CALL

AGENDA APPROVAL

PUBLIC COMMENTS (online public comments will not be taken).

MINUTES

1. Approval of the minutes dated January 7, 2025.

APPROVAL OF WARRANTS / CLAIMS

2. Consideration of Claims Report dated January 27, 2025.

AGENDA BILLS

3. AB25-010: Snoqualmie Design and Construction Standards Task Order
4. AB25-013: Meadowbrook Farm Operation and Maintenance 2025 Budget

DISCUSSION

5. 2024 Top Accomplishments
6. Upcoming Agenda Items (Informational Only): No Items.

CITY COUNCIL AGENDA REVIEW

7. Review Draft City Council Agenda dated January 27, 2025.

ADJOURNMENT

Finance & Administration Committee & Committee of the Whole Meeting
January 22, 2025



FINANCE & ADMINISTRATION COMMITTEE & COMMITTEE OF THE WHOLE MEETING MINUTES JANUARY 7, 2025

This meeting was conducted in person at Snoqualmie City Hall and remotely using Zoom.

CALL TO ORDER - Chair Bryan Holloway called the meeting to order at 6:01 pm.

Committee Members: Councilmembers Bryan Holloway and Cara Christensen were present. Councilmember Johnson's presence was excused.

Mayor Katherine Ross was also present.

City Staff:

Dena Burke, City Attorney; Drew Bouta, Finance Director; Fletcher Lacroix, IT Director; Emily Arteche, Community Development Director (remote); Jeff Hamlin, Parks & Public Works Director; Deana Dean, City Clerk; Janna Walker, Budget Manager; and Jimmie Betts, IT Support.

AGENDA APPROVAL - The agenda was approved as presented.

PUBLIC COMMENTS – There were no public comments.

MINUTES - The minutes from December 3, 2024, were approved as presented.

CM Johnson appeared at 6:02 pm.

APPROVAL OF WARRANTS / CLAIMS – The claims report dated December 9, 2024, was approved to move forward at the January 13, 2025, City Council meeting on the consent agenda.

AGENDA BILLS

3. **AB25-006: 2025 Council Meeting Calendar.** This item was introduced by City Clerk Dean. Discussion followed. This item is approved to move forward at the January 13, 2025, City Council meeting on the non-consent agenda.

DISCUSSION

4. Amending Agenda Bills: Discussion led by CM Holloway. Committee questions followed. CM Holloway will send an email with direction.

5. Removal and storage of Council Chamber murals. Brief discussion. This item to be brought back at a future committee meeting with available options to replace the murals.
6. Upcoming Agenda Items. This item was informational only, no discussion.

CITY COUNCIL MEETING AGENDA REVIEW

7. Review Draft City Council Agenda dated January 13, 2025. The agenda was approved as amended.

Additional comments provided by Finance Director Drew Bouta who noted Munis payroll went live successfully yesterday and they are working through some remaining issues.

ADJOURNMENT

The meeting was adjourned at 6:32 pm.

*Minutes taken by Deana Dean, City Clerk.
Recorded meeting audio is available on the City website after the meeting.
Minutes approved at the _____, 2025, Finance & Administration Committee Meeting.*



Drew Bouta, Director of Finance
38624 SE River St. | PO Box 987
Snoqualmie, Washington 98065
(425) 888-1555 | dbouta@snoqualmiewa.gov

To: City Council
Finance & Administration Committee

From: Drew Bouta, Director of Finance

Date: January 27, 2025

Subject: CLAIMS REPORT
Approval of payments for the period: November 19, 2024, through January 9, 2025

BACKGROUND

Per RCW 42.24.080, all claims presented against the city by persons furnishing materials, rendering services, or performing labor must be certified by the appropriate official to ensure that the materials have been furnished, the services rendered, or the labor performed as described, and that the claims are just, due, and unpaid obligations against the city, before payment can be made. Expedited processing of the payment of claims when certain conditions have been met allows for the payment of claims before the legislative body has acted to approve the claims when: (1) the appropriate officers have furnished official bonds; (2) the legislative body has adopted policies that implement effective internal control; (3) the legislative body has provided for review of the documentation supporting the claims within a month of issuance; and (4) that if claims are disapproved, they shall be recognized as receivables and diligently pursued. The City of Snoqualmie meets all requirements of this state law.

Pursuant to Snoqualmie Municipal Code (SMC) Chapter 3.85, all Claims, Demands and Vouchers against the city, provides that the Finance Director or her designee will examine all claims prior to payment and provide periodic reporting of the payments to the City Council for final approval. Per SMC 3.85.040, to meet these requirements, the Finance Director schedules payment of claims and payroll for monthly Finance & Administration Committee review followed by full City Council approval on the consent agenda. Per SMC 3.85.050, documentation supporting claims paid and the Finance Director’s written report are made available to all city council members at City Hall for 48 hours prior to the Finance & Administration Committee meeting. Following the 48-hour review period, the Finance & Administration Committee considers the claims as part of its regular agenda and recommends to the full city council whether to approve or disapprove the claims. Consistent with these requirements, this report seeks City Council approval of payment of claims and payroll batches summarized in the table below.

ANALYSIS

All payments made during these periods were found to be valid claims against the city. The City’s internal controls include certification of the validity of all expenditures by the appropriate department and an internal audit conducted by designated finance department staff who review all claims and payroll payments. Staff performs system validation and exception reviews to validate payroll records. The Finance Director performs a random sampling review of supporting documentation for claims payments to ensure validity, as well as regularly reviews its processes to ensure appropriate internal controls are in place. The City issues disbursements for claims and payroll via the following methods:

- Warrant: paper negotiable instruments, very much like, although legally distinct from, checks
- Commercial Credit Card: as authorized by Financial Management Policy
- Electronic Funds Transfer (EFT). EFTs are electronic banking transactions (no paper instrument) of two basic types: (1) Automated Clearing House (ACH) for Electronic Fund Transfer (EFT) and (2) Wire Transfers a direct transfer between bank accounts

The following table summarizes the claims and payments authorized by the Finance Director:

The foregoing amounts were budgeted in the 2023-2024 biennial budget, and sufficient funds are available to cover these payments, as appropriate. Details pertaining to the individual vendor payments are available in documentation provided for the Finance & Administration Committee and subsequent City Council review by accessing the following link on the city website: [Claims Report](#)

CITY OF SNOQUALMIE
Disbursements for Council Approval
Claims, Payroll and Miscellaneous

CLAIMS							
Batch ID	Date	Warrants		Amount	ACH		CLAIMS TOTAL
		From #	Thru #		Qty	Amount	
129	12/5/2024	83379	83475	\$ 1,964,970.50			1,964,970.50
130	12/12/2024	83476	83539	\$ 957,758.51			957,758.51
131	12/19/2024	62780	62792	\$ 2,532.43			2,532.43
132	12/19/2024	83540	83617	\$ 1,471,424.55			1,471,424.55
133	1/6/2025	83618	83698	\$ 1,686,143.51			1,686,143.51
134	1/9/2025	83699	83753	\$ 796,036.86			796,036.86
Grand Total							6,878,866.36

MISCELLANEOUS DISBURSEMENTS				
Date	Description	ACH Amount	Wire Amount	MISC TOTAL
11/19/2024	Navia Benefits Solutions	\$ 9,363.54		\$ 9,363.54
11/26/2024	Navia Benefits Solutions	\$ 416.68		\$ 416.68
11/26/2024	Navia Benefits Solutions	\$ 5,463.34		\$ 5,463.34
11/27/2024	Dept. of Revenue - Monthly Excise Tax	\$ 49,107.36		\$ 49,107.36
12/2/2024	Merchant Card Fees - Bankcard	\$ 9,313.93		\$ 9,313.93
12/2/2024	Merchant Card Fees - Bluefin	\$ 209.75		\$ 209.75
12/3/2024	Merchant Card Fees - Fiserv Merchant	\$ 96.97		\$ 96.97
12/3/2024	Merchant Card Fees - Merchant Transact	\$ 720.29		\$ 720.29
12/3/2024	Merchant Card Fees - Tyler Munis	\$ 46.53		\$ 46.53
12/4/2024	Navia Benefits Solutions	\$ 7,197.13		\$ 7,197.13
12/5/2024	Merchant Card Fees - Tyler Munis - American Expre	\$ 1.76		\$ 1.76
12/5/2024	Merchant Card Fees - American Express	\$ 1,034.08		\$ 1,034.08
12/10/2024	Navia Benefits Solutions	\$ 3,827.88		\$ 3,827.88
12/17/2024	Navia Benefits Solutions	\$ 416.68		\$ 416.68
12/17/2024	Navia Benefits Solutions	\$ 10,641.38		\$ 10,641.38
12/24/2024	Navia Benefits Solutions	\$ 23,353.85		\$ 23,353.85
12/27/2024	Dept. of Revenue - Monthly Excise Tax	\$ 46,331.16		\$ 46,331.16
12/31/2024	Navia Benefits Solutions	\$ 416.68		\$ 416.68
Grand Total				167,958.99

PAYROLL (including Payroll Benefits)							
Batch ID	Date	Warrants		Amount	ACH		PAYROLL TOTAL
		From #	Thru #		Qty	Amount	
PRV 11-22-24	11/22/2024				119	\$ 559,615.94	559,615.94
PRV 11-22-2	11/22/2024	62766	62771	\$ 5,620.47	11	\$ 354,906.55	360,527.02
PRV 12-6-24	12/6/2024				112	\$ 368,773.03	368,773.03
PRV 12-6-24	12/6/2024	62772	62779	\$ 7,004.97	14	\$ 457,569.95	464,574.92
PRV 12-23-24	12/23/2024				116	\$ 428,822.34	428,822.34
PRV 12-23-2	12/23/2024	62793	62798	\$ 5,999.37	11	\$ 290,064.20	296,063.57
Grand Total							2,478,376.82

Total **9,525,202.17**

The following claims and payments were objected to by Finance Director: **NONE**
(Itemize claims/demands amounts and circumstances, and summarize reasons for objection)

I, the undersigned, do hereby certify under penalty of perjury that the claims and payroll warrant and/or checks itemized above were issued to pay just, due, and unpaid obligations of the City of Snoqualmie for materials furnished, services rendered, or labor performed, and that I am authorized to authenticate and certify the foregoing.

Drew Bouta

Jan 15, 2025

 Drew Bouta, Director of Finance

 Date

FINANCE & ADMINISTRATION COMMITTEE RECOMMENDATION: Approve / Not Approve

City of Snoqualmie
Claims presented to the City to be paid in the amount of 1,964,970.50
For claims warrants numbered 83379 through 83475 & dated 12/5/2024

#129

VENDOR NAME	ACCOUNT	ACCOUNT DESC	YEAR	PERIOD	TYPE	STATUS	AMOUNT	CHECK NO	INVOICE #	FULL DESC
A & H Embroidery	00150020 523100	Clothing Allowance	2024	11	INV	Paid	131.59	83379	18993	Jckt & Shirt clothing allowance for A. Jeffrey- CD
AM TEST	40253585 541000	Professional Svcs - General	2024	11	INV	Paid	100.00	83380	A24G2262	3rd party lab
AMZONCAP	FIR52220 531910	Operating Supplies	2024	11	INV	Paid	46.57	83381	177P-9FH4-C4HJ	Flash lights and hard hat clips
AMZONCAP	POL52122 531000	Office Supplies	2024	11	INV	Paid	119.96	83381	171Q-64XD-36GP	US & WA State flags for flagpole
AMZONCAP	POL52122 531820	Info Tech Components	2024	11	INV	Paid	38.13	83381	1TCH-3JQV-3CVH	C. Holmes- Galaxy S23 Otterbox Dell phone case
AMZONCAP	50251881 531820	Info Tech Components	2024	11	INV	Paid	27.44	83381	1XQP-TLDY-3QJL	AA batteries- 48 count
AUTOGATE	51051821 548000	Repair & Maintenance Services	2024	11	INV	Paid	3,168.21	83382	240660	Gate and gate access and repair
BCFH	50136991 369910	Miscellaneous Revenues	2024	11	CRM	Paid	-2,479.73	83383	11132024RC	Credit for vehicle original INV #3NS511
BCFH	50159448 564000	Fleet Vehicles & Equipment	2024	11	INV	Paid	94,084.70	83383	3PS242	New replcmt vehicle 2023 Ford F-550 Chip Truck
BUILDERS HARDWARE	POL52121 531000	Office Supplies	2024	11	INV	Paid	243.73	83384	S3857363.001	Sergeant door lock and keys
CDW GOVT	50259418 564100	IT Shared System Hardware	2024	11	INV	Paid	27,165.90	83385	AB2568X	PD Toughbook order 1
CDW GOVT	50259418 564100	IT Shared System Hardware	2024	11	INV	Paid	27,165.90	83385	AB3DQ5Z	Panasonic Toughbook spares order
Central Welding	FIR52220 531910	Operating Supplies	2024	11	INV	Paid	109.03	83386	0002214246	Sm/Med High Pressure and Haz Mat
Chinook Lumber	40153481 531300	Repair & Maintenance Supplies	2024	11	INV	Paid	208.48	83387	2074060	Various R&M supplies
COMP PD	POL52122 531000	Office Supplies	2024	11	INV	Paid	81.09	83388	2318335-0	Sharpies and copier paper
COMP PD	51051821 531340	Custodial & Cleaning Supplies	2024	11	INV	Paid	137.82	83388	2317681-0	Kleenex x2
COPIERS NW	STR54264 545200	Rent - Sign Laminator	2024	11	INV	Paid	35.48	83389	INV2886533	Plotter/Laminator Lease
COPIERS NW	STR54264 545200	Rent - Sign Laminator	2024	11	INV	Paid	35.48	83389	INV2901843	Plotter/Laminator Lease
COPIERS NW	STR59142 577002	Plotter/Laminator Lease	2024	11	INV	Paid	389.90	83389	INV2886533	Plotter/Laminator Lease
COPIERS NW	STR59142 577002	Plotter/Laminator Lease	2024	11	INV	Paid	389.90	83389	INV2901843	Plotter/Laminator Lease
CORPPAY	CLK51420 531000	Office Supplies	2024	11	INV	Paid	102.24	83390	11/24 DD	City Credit Card D. Dean
CORPPAY	CLK51420 541000	Professional Svcs - General	2024	11	INV	Paid	326.28	83390	11/24 DD	City Credit Card D. Dean
CORPPAY	CLK51420 542300	Postage & Freight	2024	11	INV	Paid	8.73	83390	11/24 DD	City Credit Card D. Dean
CORPPAY	COU51160 543000	Training & Travel	2024	11	INV	Paid	110.00	83390	11/24 DD	City Credit Card D. Dean
CORPPAY	EXE51310 543000	Training & Travel	2024	11	INV	Paid	55.00	83390	11/24 DD	City Credit Card D. Dean
CORPPAY	EXE51310 543000	Training & Travel	2024	11	INV	Paid	55.00	83390	11/24 KR	City Credit Card K. Ross
CORPPAY	EXE51310 549100	City-Sponsored Expenses	2024	11	INV	Paid	51.79	83390	11/24 KR	City Credit Card K. Ross
CORPPAY	40153410 523300	Reimb - Dues, Licenses & Cert	2024	11	INV	Paid	294.00	83390	11/24 JQ	City Credit Card J. Quade
CORPPAY	40253510 523300	Reimb - Dues, Licenses & Cert	2024	11	INV	Paid	42.00	83390	11/24 JQ	City Credit Card J. Quade
CORPPAY	50154868 531301	Repair Parts	2024	11	INV	Paid	1,765.84	83390	11/24 DH	City Credit Card D. Harris
CORPPAY	50159448 564000	Fleet Vehicles & Equipment	2024	11	INV	Paid	64.00	83390	11/24 DH	City Credit Card D. Harris
CRIMINAL	01452140 543000	Training & Travel	2024	11	INV	Paid	1,150.00	83391	201140303	N. Schulgen patrol rifle instructor course
CRYSR	POL52150 545000	Operating Rentals & Leases	2024	11	INV	Paid	156.27	83392	5310053 110324	Water cooler rental, drinking water, delivery fee
DOLIZ	40153481 548270	License & Permit Fees	2024	11	INV	Paid	174.30	83393	355771	Annual elevator inspection
Douglas Dickinson	EMG52560 535900	Small Tools & Equipment	2024	11	INV	Paid	3,323.06	83394	RE D Dickinson	Reimb D. Dickinson Sm tools & equip for SECAST
ENTENMAN	POL52122 531050	Uniforms & Protective Gear	2024	11	INV	Paid	1,668.20	83395	0184433-IN	badges, badge leather cases
Evergreen Courier LL	40253585 542300	Postage & Freight	2024	11	INV	Paid	250.80	83396	000179	Ship samples to lab
Evergreen Ford	50154868 531301	Repair Parts	2024	11	INV	Paid	173.16	83397	5210314	Wire end plug kits
FCI	50154868 531301	Repair Parts	2024	11	INV	Paid	130.92	83398	18402	Console box lockable for #606 pickup
GRAINGER	PKF57680 531300	Repair & Maintenance Supplies	2024	11	INV	Paid	125.54	83399	9290430660	Door lock timer
GRAINGER	40153481 531300	Repair & Maintenance Supplies	2024	11	INV	Paid	532.76	83399	9300309003	Dollys for well pumps
HD Fowler	40153481 531300	Repair & Maintenance Supplies	2024	11	INV	Paid	121.26	83400	16873808	2" meter bolt & nut kit
HD Supply Facil Main	51051821 531300	Repair & Maintenance Supplies	2024	11	INV	Paid	3,108.31	83401	9231149099	Break room refrigerator
HD Supply Facil Main	51051821 531300	Repair & Maintenance Supplies	2024	11	INV	Paid	108.97	83401	9231267827	Replacement emergency light PW hallway
IMC	NON51250 541115	Municipal Court Services-Costs	2024	11	INV	Paid	4,761.26	83402	SQL Oct. 2024	Snoqualmie court filings- October 2024
Ivoxy Consulting Inc	50251881 531820	Info Tech Components	2024	11	INV	Paid	4,226.10	83403	TYLWI3026	Short reach Transceiver optical cables
K&L Gates	LEG51541 541100	Outside Legal Services - Gen	2024	11	INV	Paid	13,700.80	83404	100097321	Legal advice- Snoqualmie Tribe agreements
KBM	LEG51541 541100	Outside Legal Services - Gen	2024	11	INV	Paid	1,820.00	83405	23887	Pre-Defense- General
KC Facilities	40253580 547501	Hazardous Waste Program Fees	2024	11	INV	Paid	200.00	83406	241104.2_1P083	Fee from KC for ROW permit 9525 384th
Kennedy/Jenks	40253580 541050	Engineering Services	2024	11	INV	Paid	24,273.00	83407	174061	Draft mixing zone study Svcs
KI 2	FIR52220 531050	Uniforms	2024	11	INV	Paid	398.76	83408	13568	Heat press patches and Carhartt jacket for FF's
KI 2	FIR52220 531051	Personal Protective Equipment	2024	11	INV	Paid	364.83	83408	13567	Nomax pants for Fire Fighters
Kimley-Horn	PKF57680 541000	Professional Svcs - General	2024	11	INV	Paid	10,500.00	83409	28978748	Parks Recreation and Open Space Plan
LAI	FIR52220 531912	EMS Supplies & Equipment	2024	11	INV	Paid	70.43	83410	1526201	Mega mover, lithium battery

LAI	FIR52220 531912	EMS Supplies & Equipment	2024	11	INV	Paid	34.37	83410 1527450	Bandages
LEXIPOL	POL52110 549200	Dues-Subscriptions-Memberships	2024	11	INV	Paid	2,956.98	83411 INVPR11243157	Annual Law Enf. Academy rate 12/01/24-11/30/2
LLS	POL52122 541000	Professional Svcs - General	2024	11	INV	Paid	146.11	83412 11433415	Interpretations Svcs
LNC5	POL52110 523100	Clothing Allowance	2024	11	INV	Paid	661.20	83413 INV878874	Sergeant badges x200
LNC5	POL52110 523100	Clothing Allowance	2024	11	INV	Paid	204.01	83413 INV881205	G. Horejsi Class A uniform
LNC5	POL52121 531050	Uniforms & Protective Gear	2024	11	INV	Paid	49.10	83413 INV879285	Instructor shirts x2 w/ embroidery
LNC5	POL52122 531050	Uniforms & Protective Gear	2024	11	INV	Paid	154.25	83413 INV878815	W. Schannauer Class B shirt w/ embroidery
LNC5	POL52122 531050	Uniforms & Protective Gear	2024	11	INV	Paid	260.11	83413 INV881384	J. Yang pants x2
LNC5	POL52122 531050	Uniforms & Protective Gear	2024	11	INV	Paid	384.47	83413 INV881392	D. Losvar pants, shirt, embroidery
LNC5	POL52122 531050	Uniforms & Protective Gear	2024	11	INV	Paid	1,200.44	83413 INV881727	C. Holmes Duty Gear
LNC5	POL52122 531050	Uniforms & Protective Gear	2024	11	INV	Paid	214.76	83413 INV881749	C. Holmes Apex pant x2
LNC5	POL52122 531050	Uniforms & Protective Gear	2024	11	INV	Paid	100.20	83413 INV881841	W. Schannauer pants
LNC5	POL52122 531050	Uniforms & Protective Gear	2024	11	INV	Paid	376.86	83413 INV882120	C. Holmes dress shoes, pants, patrol boots
LOLM	NON51541 541110	Public Prosecutor Services	2024	11	INV	Paid	6,650.00	83414 Oct 2024	Snoqualmie Prosecutor- Oct. 2024
LOUDEDGE	COM55720 541060	Design Services	2024	11	INV	Paid	425.00	83415 COS-110124-B	Fall nwsltr, Flood Rpt dsng, J. Hamlin headshot
LOUDEDGE	COM55721 541923	Photography Services	2024	11	INV	Paid	100.00	83415 COS-110124-B	Fall nwsltr, Flood Rpt dsng, J. Hamlin headshot
LOUDEDGE	PLN55861 541000	Professional Svcs - General	2024	11	INV	Paid	525.00	83415 COS-110124-B	Fall nwsltr, Flood Rpt dsng, J. Hamlin headshot
MADRONA	LEG51541 541100	Outside Legal Services - Gen	2024	11	INV	Paid	30,700.50	83416 12813	Interim City Attorney- Various matters
MATZKEN	POL52110 541000	Professional Svcs - General	2024	11	INV	Paid	250.00	83417 11824	Polygraph examination - Alexander Smith
MC	40253585 531510	Laboratory Supplies	2024	11	INV	Paid	2,621.41	83418 11516420	Service parts for water system in lab
MES	FIR52250 535900	Small Tools & Equipment	2024	11	INV	Paid	3,853.72	83419 IN2143915	Thermal imager and aluminum carabiner mount
MFPA	11055735 541390	Advertising, Legal Notices etc	2024	11	INV	Paid	1,701.70	83420 LTAC 2024	LTAC 2024 Reimbursement
Minuteman Press	COM55720 549300	Printing	2024	11	INV	Paid	1,866.78	83421 93996	Q4 Newsletter Insert
Minuteman Press	EVE57390 549300	Printing	2024	11	INV	Paid	1,462.62	83421 93995	Utility insert- Snoqualmie Winter Lights
Minuteman Press	PLN55860 549300	Printing	2024	11	INV	Paid	49.10	83421 93957	Business Cards- A. Jeffery, M. Davis
Minuteman Press	40153481 531000	Office Supplies	2024	11	INV	Paid	242.87	83421 93979	October 2024 UB printing/folding, envelopes
Minuteman Press	40153481 549300	Printing	2024	11	INV	Paid	300.59	83421 93979	October 2024 UB printing/folding, envelopes
Minuteman Press	40253580 531000	Office Supplies	2024	11	INV	Paid	242.87	83421 93979	October 2024 UB printing/folding, envelopes
Minuteman Press	40253580 549300	Printing	2024	11	INV	Paid	300.60	83421 93979	October 2024 UB printing/folding, envelopes
Minuteman Press	40353130 531000	Office Supplies	2024	11	INV	Paid	242.87	83421 93979	October 2024 UB printing/folding, envelopes
Minuteman Press	40353130 549300	Printing	2024	11	INV	Paid	300.59	83421 93979	October 2024 UB printing/folding, envelopes
Nap Ventures	POL52122 531000	Office Supplies	2024	11	INV	Paid	54.44	83422 074272	Office nameplates (3)
NB CHEVY	50154868 531400	Tires	2024	11	INV	Paid	942.63	83423 14331	Replacement tires snow removal pickups
NB CHEVY	50154868 531400	Tires	2024	11	INV	Paid	1,030.74	83423 14334	Replacement tires
NB Landscape Supply	40353190 531300	Repair & Maintenance Supplies	2024	11	INV	Paid	737.93	83424 730	Compost for street tree planting downtown
NHC	PLN55861 541040	Engineering Services	2024	11	INV	Paid	627.50	83425 32044	Snoq. drainage reviews- Snoq. Hospital
NRS	FIR52220 531050	Uniforms	2024	11	INV	Paid	33.75	83426 1658063	Sea moss shorts, Aquapac Lg VHF case
NRS	FIR52220 531051	Personal Protective Equipment	2024	11	INV	Paid	127.48	83426 1585584	WRSI Current Helmet
NRS	FIR52250 535900	Small Tools & Equipment	2024	11	INV	Paid	167.86	83426 1658063	Sea moss shorts, Aquapac Lg VHF case
NWSC	FIR52250 548000	Repair & Maintenance Services	2024	11	INV	Paid	666.98	83427 24-46992	Cleaning of Fire gear & NFPA Inspecc & repairs
NWSC	FIR52250 548000	Repair & Maintenance Services	2024	11	INV	Paid	158.03	83427 24-47004	Turnout cleaner
OTAK	PLN55860 541080	Environmental Services	2024	11	INV	Paid	985.00	83428 000102400446	Snoqualmie Comp Plan update
OTAK	PLN55860 541080	Environmental Services	2024	11	INV	Paid	21,725.53	83428 000102400468	Climate resilience planning
PARAMET	31175100 541060	384th Sidewalk Design	2024	11	INV	Paid	3,109.60	83429 60647	For 384th Sewer Sidewalk ending 10/5/24
PARAMET	41750935 541060	384th St - Design	2024	11	INV	Paid	3,109.60	83429 60647	For 384th Sewer Sidewalk ending 10/5/24
PBBIPP	NON51890 542300	Postage & Freight	2024	11	INV	Paid	2,014.76	83430 PP 11/24	Purchase Power credit line
Pease & Sons, Inc	41759436 563000	WRF Improve Construction	2024	11	INV	Paid	23,420.39	83431 8056-07	Kimball Crk Lift Station material coating thru Oct
POA-OR	50251888 545200	Rent - Furniture & Equipment	2024	11	INV	Paid	29.51	83432 780434	Copier Kit Overage
POA-OR	50251888 545200	Rent - Furniture & Equipment	2024	11	INV	Paid	16.90	83432 812322	Copier Kit Overage
POA-OR	50251888 545200	Rent - Furniture & Equipment	2024	11	INV	Paid	522.18	83432 825739	Copier Kit Overage
POA-OR	50251888 545200	Rent - Furniture & Equipment	2024	11	INV	Paid	225.99	83432 850777	Copier Kit Overage
POA-OR	50251888 545200	Rent - Furniture & Equipment	2024	11	INV	Paid	1,530.00	83432 851814	LK-110v2 License for OCR Scan on main printers
POA-OR	50251888 545200	Rent - Furniture & Equipment	2024	11	INV	Paid	137.66	83432 CSQ-2223	Monthly printer Lease
POA-OR	50251888 545200	Rent - Furniture & Equipment	2024	11	INV	Paid	137.66	83432 CSQ-2223	Monthly printer Lease
PREMIERM	PLN55730 541390	Advertising, Legal Notices etc	2024	11	INV	Paid	2,450.00	83433 3026-R	NWTL Print Ad- Winter Visit Snoqualmie
PROSPECT	41759436 563000	WRF Improve Construction	2024	11	INV	Paid	728,429.77	83434 Pay Estimate #14	Construction thru 11/1
PSE	PKF57680 547100	Electricity	2024	11	INV	Paid	3,373.45	83435 007355 11/24	Electricity
PSE	PKF57680 547100	Electricity	2024	11	INV	Paid	2,367.14	83435 007355 11/24 #2	Electricity
PSE	POL52150 547100	Electricity	2024	11	INV	Paid	3,295.48	83435 002083 10/24	Electricity

PSE	STR54263 547100	Electricity	2024	11	INV	Paid	26.01	83435 943807 11/24	Electricity
PSE	40253565 547100	Electricity	2024	11	INV	Paid	34.42	83435 007124 11/24	Electricity
PSE	40253565 547100	Electricity	2024	11	INV	Paid	7,173.37	83435 010656 11/24	Electricity
PSE	40253580 547100	Electricity	2024	11	INV	Paid	17,607.31	83435 010656 11/24	Electricity
PSIWTI	40153482 531300	Repair & Maintenance Supplies	2024	11	INV	Paid	7,972.22	83436 INV0008168	Electrolytic cell for Canyon Springs
PSRFA	FIR52245 543000	Training & Travel	2024	11	INV	Paid	1,215.00	83437 11542	Training-Pump Academy- Byrd, Swiftwater- Wolfe
Pure Water Partners	POL52150 545000	Operating Rentals & Leases	2024	11	INV	Paid	100.00	83438 1870224	Installation water and dispenser
REFLECT	11057390 541000	Professional Svcs - General	2024	11	INV	Paid	21,253.22	83439 D-10003407	Holiday lighting 2nd payment- LTAC Funds
REGA	63358930 589304	KC Pet License Fees Remittance	2024	11	INV	Paid	30.00	83440 102317	Pet license application- #483987 Ian Stutz
RH2	40153410 541000	Professional Svcs - General	2024	11	INV	Paid	1,892.79	83441 98044	Final design thru Oct. 2024/system plan update
RH2	40253510 541000	Professional Svcs - General	2024	11	INV	Paid	1,892.79	83441 98044	Final design thru Oct. 2024/system plan update
RH2	41134100 541060	Eagle Lake Reclam Design	2024	11	INV	Paid	103,538.82	83441 98044	Final design thru Oct. 2024/system plan update
RH2	41759436 541040	WRF Improve Const Mgmt	2024	11	INV	Paid	84,021.60	83441 98123	Construction Mgmt thru Sept. 2024
ROBERT HALF	FIN51423 541190	Temporary Agency Personnel	2024	11	INV	Paid	2,688.00	83442 64283358	S. Wong-Payroll Specialist Support (retro & other)
ROBERT HALF	FIN51423 541190	Temporary Agency Personnel	2024	11	INV	Paid	3,360.00	83442 64288896	S. Wong-Payroll Specialist Support (retro & other)
ROBERT HALF	HUM51810 541190	Temporary Agency Personnel	2024	11	INV	Paid	215.46	83442 64291179	HR Support- C. Marvin- Personnel Policies Handbo
ROBERT HALF	PLN55860 541190	Temporary Agency Personnel	2024	11	INV	Paid	1,015.00	83442 64251169	A. Jain CD Support
ROBERT HALF	PLN55860 541190	Temporary Agency Personnel	2024	11	INV	Paid	824.69	83442 64260433	A. Jain CD Support
RODARTE	31175100 563000	384th Sidewalk Construction	2024	11	INV	Paid	274,757.15	83443 Pay Estimate #4	Sewer & Sidewalk construction Inv. #4
RODARTE	41750935 563000	384th St - Const	2024	11	INV	Paid	253,301.50	83443 Pay Estimate #4	Sewer & Sidewalk construction Inv. #4
RYANHERC	40153482 531300	Repair & Maintenance Supplies	2024	11	INV	Paid	109.57	83444 8361730	Check valve for canyon springs chlorine generator
SCORE	POL52360 541504	Jail Services - SCORE	2024	11	INV	Paid	12,882.65	83445 8214	Snoq. inmates- October 2024
SEATIMES	CLK51420 541320	Legal Notices	2024	11	INV	Paid	150.00	83446 87672	2025 Property Tax Levy and Revenue Sources
SHERRILL	40353190 531300	Repair & Maintenance Supplies	2024	11	INV	Paid	936.99	83447 INV-1028289	Electric Chainsaw Husqvarna
SHERWILL	51051821 531300	Repair & Maintenance Supplies	2024	11	INV	Paid	67.15	83448 76317127471124	Paint, stain, and painting supplies
Shield Assessments	POL52110 541000	Professional Svcs - General	2024	11	INV	Paid	1,745.00	83449 2741	Pre-emp psych eval, medical exam
Siren Net	50154868 531301	Repair Parts	2024	11	INV	Paid	1,832.88	83450 0279619	Replacement tracer lamp housings police SUV
SV School Dist	01452122 532100	Gasoline/Diesel Fuel	2024	11	INV	Paid	5,006.62	83451 8269	Fleet & N Bend Police fuel
SV School Dist	50154868 532100	Gasoline/Diesel Fuel	2024	11	INV	Paid	7,826.51	83451 8269	Fleet & N Bend Police fuel
SYSTEMS DESIGN W	FIR52270 541090	BLS Customer Billing Services	2024	11	INV	Paid	885.74	83452 20242096	September EMS billing
TANGERIN	EV57390 541000	Professional Svcs - General	2024	11	INV	Paid	1,500.00	83453 Sno12724FPGP	Face painting activity
Tetra Tech	41750935 541060	384th St - Design	2024	11	INV	Paid	770.78	83454 52324336	For Williams Addi water main - Red Ins & As Builts
TODDSTOW	50154868 548000	Repair & Maintenance Services	2024	11	INV	Paid	240.02	83455 48276	Tow to Evergreen Ford from PW shop
Tyler Byrd	FIR52245 543000	Training & Travel	2024	11	INV	Paid	385.92	83456 RE T Byrd 11/24	Reimb. T. Transportation to/rom Training 10-11/24
TYLERTEC	35059418 541000	Professional Svcs - General	2024	11	INV	Paid	981.90	83457 045-489661	Tyler PCI service fee
UFS/BART	PLN55861 541080	Environmental Services	2024	11	INV	Paid	950.00	83458 2024-1556	Plat 29 Muray
UFS/BART	40353190 531300	Repair & Maintenance Supplies	2024	11	INV	Paid	185.83	83458 2024-1558	Soil amendment materials
UFS/BART	40353190 541000	Professional Svcs - General	2024	11	INV	Paid	285.00	83458 2024-1554	Planting stock research & communic. w/ suppliers
ULINE	POL52122 531910	Operating Supplies	2024	11	INV	Paid	165.65	83459 184492045	Cable Ties
UNITEDSI	40353130 548000	Repair & Maintenance Services	2024	11	INV	Paid	185.00	83460 INV-4901132	Portable toilet service for DOC operations
URNW	40153481 545100	Rent - Shop Equipment	2024	11	INV	Paid	1,145.55	83461 235589951-005	Maverick truck rental
US Postmaster	40153481 542300	Postage & Freight	2024	11	INV	Paid	687.47	83462 12/24 UB Postage	UB Postage for Nov. 2024 Bills
US Postmaster	40253580 542300	Postage & Freight	2024	11	INV	Paid	687.47	83462 12/24 UB Postage	UB Postage for Nov. 2024 Bills
US Postmaster	40353130 542300	Postage & Freight	2024	11	INV	Paid	687.47	83462 12/24 UB Postage	UB Postage for Nov. 2024 Bills
UJLC	40153481 541000	Professional Svcs - General	2024	11	INV	Paid	92.12	83463 4100231	October 2024 locate fees
VALLEYD	NON51591 541111	Public Defender Services	2024	11	INV	Paid	6,650.00	83464 Oct-24	Public defense services-Snoq. cases- Oct 2024
VERIZ 3	50251888 542010	Cellular Telephone	2024	11	INV	Paid	2,122.50	83465 9976498017	PD cell phones- Sep 17-Oct 16 2024
VFG	PLN55860 541000	Professional Svcs - General	2024	11	INV	Paid	600.00	83466 447837	SR mixed use final plan amendments processing
VFG	PLN55860 541000	Professional Svcs - General	2024	11	INV	Paid	3,475.00	83466 447839	General minor bldg permit assistance TO #20
VFG	PLN55860 541000	Professional Svcs - General	2024	11	INV	Paid	331.50	83466 447841	Snoq. Comp Plan SEPA adoption addendum TO #20
VFG	PLN55860 541000	Professional Svcs - General	2024	11	INV	Paid	535.50	83466 447842	Sandy Cove shoreline substantial dev prmt proces
VFG	PLN55860 541000	Professional Svcs - General	2024	11	INV	Paid	11,270.82	83466 447843	Retail waivers & Historic dwntwn retail code ame
VFG	PLN55860 541000	Professional Svcs - General	2024	11	INV	Paid	1,479.00	83466 447844	Code amendmts for SB 5290 compliance & imprv
VFG	PLN55860 541000	Professional Svcs - General	2024	11	INV	Paid	425.00	83466 447845	T Mobile wireless permit application TO #30
VFG	PLN55860 541000	Professional Svcs - General	2024	11	INV	Paid	1,351.50	83466 447847	Full Circle Feed permit processing TO #33
VFG	PLN55860 541000	Professional Svcs - General	2024	11	INV	Paid	3,034.50	83466 447848	MSHS permit PAR & conditional use permit TO #33
VFG	PLN55860 541000	Professional Svcs - General	2024	11	INV	Paid	127.50	83466 447849	DRB2024-0002 processing TO #37
VFG	PLN55861 541000	Professional Svcs - General	2024	11	INV	Paid	425.00	83466 447836	Timber Trails Plat; Parcel S-14 project
VFG	PLN55861 541000	Professional Svcs - General	2024	11	INV	Paid	9,325.00	83466 447840	SR II Parcel S21- PAR, site & bldg prmt SVH TO #23

VFG	PLN55861 541000	Professional Svcs - General	2024	11	INV	Paid	2,014.50	83466 447850	NWRM variance application TO #36
VFG	31137020 541000	Community Ctr - Prof'l Svcs	2024	11	INV	Paid	100.00	83466 447838	Community Ctr expansion pre app review
Washington Assoc	00150020 549200	Dues-Subscriptions-Memberships	2024	11	INV	Paid	109.00	83467 19028	WABO membership renewal for 2025
WASPC	POL52110 549200	Dues-Subscriptions-Memberships	2024	11	INV	Paid	245.00	83468 DUES 2024-00284	B. Lynch WASPC Membership 2024 Dues
Water Mgmt Labs	40153481 541000	Professional Svcs - General	2024	11	INV	Paid	420.00	83469 224147	October 2024 bact and arsenic samples
WCFR	FIR52250 531300	Repair & Maintenance Supplies	2024	11	INV	Paid	155.66	83470 82948-335	For repair on battery operated Ram
WECO	40153482 531300	Repair & Maintenance Supplies	2024	11	INV	Paid	7,060.65	83471 PS-INV109618	Brine pumps for canyon springs chlorine generato
WESTPAY	POL52110 549200	Dues-Subscriptions-Memberships	2024	11	INV	Paid	238.16	83472 851006347	Clear research database monthly fee- October
WH PACIF	31137020 541000	Community Ctr - Prof'l Svcs	2024	11	INV	Paid	1,730.00	83473 413086	Task order 214 Community Center review
WLACE	PKF57680 531300	Repair & Maintenance Supplies	2024	11	INV	Paid	390.10	83474 15313550	Restroom space heaters/painting supplies
WLACE	STR54230 531300	Repair & Maintenance Supplies	2024	11	INV	Paid	82.18	83474 15313465	Parking lot painting supplies
WLACE	STR54230 531300	Repair & Maintenance Supplies	2024	11	INV	Paid	59.99	83474 15313474	Sign post repair supplies
WLACE	STR54230 531300	Repair & Maintenance Supplies	2024	11	INV	Paid	606.50	83474 15313504	Assorted tools
WLACE	STR54230 531300	Repair & Maintenance Supplies	2024	11	INV	Paid	12.63	83474 15313573	super glue, WFRM 4x3/8
WLACE	40153481 531300	Repair & Maintenance Supplies	2024	11	INV	Paid	87.27	83474 15313556	Floodlight water trmt plant
WLACE	40153481 531300	Repair & Maintenance Supplies	2024	11	INV	Paid	95.96	83474 15313564	trash can, utility knife, label refill
WLACE	40253580 531910	Operating Supplies	2024	11	INV	Paid	27.28	83474 15313518	Break room supplies for BBQ
WLACE	40353130 531300	Repair & Maintenance Supplies	2024	11	INV	Paid	50.36	83474 15313516	Supplies to repair wash pad at PPW Bldg.
WLACE	51051821 531300	Repair & Maintenance Supplies	2024	11	INV	Paid	51.82	83474 15313591	painting attorney office
WSP BF	63358930 589305	Concealed Pistol License Remit	2024	11	INV	Paid	132.50	83475 12502398	Fingerprinting background checks- Oct. 2024

City of Snoqualmie
Claims presented to the City to be paid in the amount of 957,758.51

For claims warrants numbered 83476 through 83539 & dated 12/12/2024 **#130**

A & H Embroidery	PLN55860 523100	Clothing Allowance	2024	12	INV	Paid	139.19	83476 19064	Jacket and 2 shirts for Mona
AECOLOGY	40353190 548150	Landscaping Services	2024	12	INV	Paid	2,732.85	83477 1872	Stormwater fac. herbicide application EZ-Ject
AMZONCAP	FIR52220 531910	Operating Supplies	2024	12	INV	Paid	510.60	83478 16M9-FHGP-6R4T	Water filter, door mat, TP for Fire living space
AMZONCAP	FIR52250 531820	Info Tech Components	2024	12	INV	Paid	245.35	83478 1F3L-9TYC-4GJ7	Fire iPad cases
AMZONCAP	POL52122 531000	Office Supplies	2024	12	INV	Paid	23.98	83478 1K94-4XLG-D6HW	power chargers (3), heater, pwr strip, surge protc
AMZONCAP	POL52122 531820	Info Tech Components	2024	12	INV	Paid	104.73	83478 1K94-4XLG-D6HW	power chargers (3), heater, pwr strip, surge protc
AMZONCAP	01452122 531000	Office Supplies	2024	12	INV	Paid	65.43	83478 1K94-4XLG-D6HW	power chargers (3), heater, pwr strip, surge protc
AMZONCAP	01452122 531000	Office Supplies	2024	12	INV	Paid	8.19	83478 1NF3-J4RJ-1F1F	S. Tye- tape dispenser
AMZONCAP	01452122 531000	Office Supplies	2024	12	INV	Paid	68.36	83478 1YHJ-4T3H-MGPF	lamp, ruler, memo pads, notebooks, cell ph case
AMZONCAP	01452122 531820	Info Tech Components	2024	12	INV	Paid	15.57	83478 1YHJ-4T3H-MGPF	lamp, ruler, memo pads, notebooks, cell ph case
AMZONCAP	40153481 531820	Info Tech Components	2024	12	INV	Paid	102.52	83478 1Y7X-VKYP-6F66	PW Water iPad cases
AMZONCAP	50251881 531820	Info Tech Components	2024	12	INV	Paid	80.27	83478 17DY-1LDR-YTC7	IT- Crimping and stripping tool
AMZONCAP	50259418 564100	IT Shared System Hardware	2024	12	INV	Paid	294.40	83478 14FL-H41J-1L7J	PD Sgt Milestone Display TV mount
AMZONCAP	50259418 564100	IT Shared System Hardware	2024	12	INV	Paid	529.17	83478 1F3N-43DR-YPW1	PD Milestone Display
AMZONCAP	50259418 564100	IT Shared System Hardware	2024	12	INV	Paid	28.12	83478 1LDY-L96K-99HG	PD Sgt Milestone Display- 50 ft HDMI Cable
ASPECT	40353145 541050	Engineering Services	2024	12	INV	Paid	2,630.00	83479 595475	For 2024 Bioswale sediment testing
ATWORK	PKF57680 548150	Landscaping Services	2024	12	INV	Paid	17,561.01	83480 PS-INV105715	Maint. Agreement- Mini Parks Sept 2024
ATWORK	51051821 548150	Landscaping Services	2024	12	INV	Paid	2,889.50	83480 PS-INV105538	Landscape maint. agreement- Facilities- May
BONY	FIN51423 541090	Financial Services	2024	12	INV	Paid	7,500.00	83481 252-2669124	Yearly Investment Account Admin Fee
CALLAWAY	50154868 548000	Repair & Maintenance Services	2024	12	INV	Paid	681.88	83482 13889	Vehicle and Equip. windshield repair/replacement
CALLAWAY	50154868 548000	Repair & Maintenance Services	2024	12	INV	Paid	681.88	83482 13890	Vehicle and Equip. windshield repair/replacement
CDW GOVT	50251881 531820	Info Tech Components	2024	12	INV	Paid	102.00	83483 AA86U8C	Chief Bailey 135W AC Adapter for Dock
CDW GOVT	50259418 564100	IT Shared System Hardware	2024	12	INV	Paid	2,180.91	83483 AB17G2Q	Laptop replacement for N. Wiebe
CDW GOVT	50259418 564100	IT Shared System Hardware	2024	12	INV	Paid	2,180.91	83483 AB17G2R	Laptop replacement for B. Ecker
CDW GOVT	50259418 564100	IT Shared System Hardware	2024	12	INV	Paid	27,165.90	83483 AB2568W	PD Toughbook Order 2
CDW GOVT	50259418 564100	IT Shared System Hardware	2024	12	INV	Paid	258.34	83483 AB2EN6T	Lenovo support warranty- N. Wiebe laptop replcm
CDW GOVT	50259418 564100	IT Shared System Hardware	2024	12	INV	Paid	3,080.22	83483 AB2R39M	PD Toughbook Docks
CDW GOVT	50259418 564100	IT Shared System Hardware	2024	12	INV	Paid	769.81	83483 AB2RR1M	PD- AC Adapters for Toughbook Docks
CDW GOVT	50259418 564100	IT Shared System Hardware	2024	12	INV	Paid	2,178.27	83483 AB2ZD7Q	Laptop replacement for Andrew Vining
CDW GOVT	50259418 564100	IT Shared System Hardware	2024	12	INV	Paid	159.61	83483 AB3SE8A	Lenovo Premier support for B. Ecker Laptop replcm
CDW GOVT	50259418 564100	IT Shared System Hardware	2024	12	INV	Paid	3,829.41	83483 AB5RK5W	PD extended warranties for Toughbook order
CDW GOVT	50259418 564100	IT Shared System Hardware	2024	12	INV	Paid	3,829.41	83483 AB5RK6A	PD Toughbook order 2 extended warranty
CDW GOVT	50259418 564100	IT Shared System Hardware	2024	12	INV	Paid	3,829.41	83483 AB5RK6D	Panasonic Toughbook spares extended warranty
CDW GOVT	50259418 564105	Server/Storage Replacement	2024	12	INV	Paid	4,882.23	83483 AA9WR5F	Dell PowerEdge Server
CENLINK	50251888 542000	Telephone Service	2024	12	INV	Paid	103.26	83484 3335855664 11/24	Snoq. Police/Dispatch land line 11/9-12/8

CO	CLK51420 531340	Custodial & Cleaning Supplies	2024	12	INV	Paid	36.05	83485 2320113-0	Whole office custodial supplies/calendar
CO	COM55720 531340	Custodial & Cleaning Supplies	2024	12	INV	Paid	72.10	83485 2320113-0	Whole office custodial supplies/calendar
CO	EXE51310 531340	Custodial & Cleaning Supplies	2024	12	INV	Paid	36.05	83485 2320113-0	Whole office custodial supplies/calendar
CO	FIN51423 531000	Office Supplies	2024	12	INV	Paid	17.01	83485 2320113-0	Whole office custodial supplies/calendar
CO	FIN51423 531340	Custodial & Cleaning Supplies	2024	12	INV	Paid	36.05	83485 2320113-0	Whole office custodial supplies/calendar
CO	HUM51810 531340	Custodial & Cleaning Supplies	2024	12	INV	Paid	36.05	83485 2320113-0	Whole office custodial supplies/calendar
CO	PLN55860 531000	Office Supplies	2024	12	INV	Paid	179.43	83485 2319818-0	Business card holder, calendar, planner, stapler
CO	PLN55860 531000	Office Supplies	2024	12	INV	Paid	13.08	83485 2319818-1	Easel
CO	PLN55860 531000	Office Supplies	2024	12	INV	Paid	44.13	83485 2319818-2	Erase and magnetic board
CO	PLN55860 531000	Office Supplies	2024	12	INV	Paid	122.00	83485 2321933-0	Gel pen, scissors, mouse and misc.
CO	PLN55860 531000	Office Supplies	2024	12	INV	Paid	15.94	83485 2321960-0	Disinfecting wipes
CO	PLN55860 531340	Custodial & Cleaning Supplies	2024	12	INV	Paid	36.05	83485 2320113-0	Whole office custodial supplies/calendar
COB	50251882 549900	ePlan Fees (eCityGov)	2024	12	INV	Paid	4,718.07	83486 50749	Q4 2024 MBP subscription
COMCAST	50251888 542200	INET Internet Network Services	2024	12	INV	Paid	421.20	83487 0559927-11-24	Secondary Internet Service
COMP PD	POL52122 531000	Office Supplies	2024	12	INV	Paid	62.00	83488 2320261-0	Steno notebooks, cleaning supplies
COMP PD	51051821 531340	Custodial & Cleaning Supplies	2024	12	INV	Paid	281.21	83488 2320261-0	Steno notebooks, cleaning supplies
COPIERS NW	STR54264 545200	Rent - Sign Laminator	2024	12	INV	Paid	35.48	83489 INV2917715	Plotter/Laminator Lease
COPIERS NW	STR59142 577002	Plotter/Laminator Lease	2024	12	INV	Paid	389.90	83489 INV2917715	Plotter/Laminator Lease
Corporate Promotions	PLN55730 549100	City-Sponsored Expenses	2024	12	INV	Paid	202.02	83490 19283	Promotional pencils "COS CD Dept"
CORPPAY	COM55720 531820	Info Tech Components	2024	12	INV	Paid	76.04	83491 11/24 DM	City Credit Card D. McCall
CORPPAY	COM55720 549200	Dues-Subscriptions-Memberships	2024	12	INV	Paid	91.63	83491 11/24 DM	City Credit Card D. McCall
CORPPAY	EMG52560 535900	Small Tools & Equipment	2024	12	INV	Paid	772.09	83491 11/24 JR	City Credit Card J. Rellamas
CORPPAY	EVE57120 531900	Miscellaneous Supplies	2024	12	INV	Paid	76.41	83491 11/24 NW	City Credit Card N. Wiebe
CORPPAY	EVE57120 543000	Training & Travel	2024	12	INV	Paid	799.00	83491 11/24 NW	City Credit Card N. Wiebe
CORPPAY	EVE57390 549300	Printing	2024	12	INV	Paid	93.80	83491 11/24 NW	City Credit Card N. Wiebe
CORPPAY	FIN51423 543000	Training & Travel	2024	12	INV	Paid	280.00	83491 11/24 Finance	City Credit Card Finance Dept.
CORPPAY	FIN51423 549200	Dues-Subscriptions-Memberships	2024	12	INV	Paid	1,417.21	83491 11/24 Finance	City Credit Card Finance Dept.
CORPPAY	FIR52210 542300	Postage & Freight	2024	12	INV	Paid	20.00	83491 11/24 CB	City Credit Card C. Brown
CORPPAY	FIR52210 549100	City-Sponsored Expenses	2024	12	INV	Paid	119.91	83491 11/24 CB	City Credit Card C. Brown
CORPPAY	FIR52210 549200	Dues-Subscriptions-Memberships	2024	12	INV	Paid	440.18	83491 11/24 MB	City Credit Card M. Bailey
CORPPAY	FIR52220 531051	Personal Protective Equipment	2024	12	INV	Paid	119.96	83491 11/24 CB	City Credit Card C. Brown
CORPPAY	FIR52220 531051	Personal Protective Equipment	2024	12	INV	Paid	153.51	83491 11/24 MB	City Credit Card M. Bailey
CORPPAY	FIR52220 531910	Operating Supplies	2024	12	INV	Paid	20.66	83491 11/24 JR	City Credit Card J. Rellamas
CORPPAY	HUM51810 541420	HR-Related Services	2024	12	INV	Paid	574.67	83491 11/24 KJ	City Credit Card K. Johnson
CORPPAY	PLN55860 549200	Dues-Subscriptions-Memberships	2024	12	INV	Paid	751.93	83491 11/24 Comm Dev	City Credit Card Community Development Dept.
CORPPAY	PLN55860 549200	Dues-Subscriptions-Memberships	2024	12	INV	Paid	125.00	83491 11/24 EA	City Credit Card E. Arteche
CORPPAY	POL52110 542300	Postage & Freight	2024	12	INV	Paid	11.91	83491 11/24 ML	City Credit Card M. Liebetrau
CORPPAY	POL52110 549200	Dues-Subscriptions-Memberships	2024	12	INV	Paid	658.96	83491 11/24 ML	City Credit Card M. Liebetrau
CORPPAY	POL52122 531000	Office Supplies	2024	12	INV	Paid	28.23	83491 11/24 ML	City Credit Card M. Liebetrau
CORPPAY	POL52140 543000	Training & Travel	2024	12	INV	Paid	112.80	83491 11/24 BL	City Credit Card B. Lynch
CORPPAY	POL52140 543000	Training & Travel	2024	12	INV	Paid	150.00	83491 11/24 GH	City Credit Card G. Horejsi
CORPPAY	POL52140 543000	Training & Travel	2024	12	INV	Paid	257.01	83491 11/24 M Black	D. Vladis lodging for training Red Dot Instrctr
CORPPAY	POL52140 543000	Training & Travel	2024	12	INV	Paid	34.02	83491 11/24 ML	City Credit Card M. Liebetrau
CORPPAY	POL52150 535400	Police Firearms & Weapons	2024	12	INV	Paid	251.63	83491 11/24 ML	City Credit Card M. Liebetrau
CORPPAY	01452110 542300	Postage & Freight	2024	12	INV	Paid	45.01	83491 11/24 ML	City Credit Card M. Liebetrau
CORPPAY	01452122 531000	Office Supplies	2024	12	INV	Paid	26.32	83491 11/24 ML	City Credit Card M. Liebetrau
CORPPAY	01452122 531910	Operating Supplies	2024	12	INV	Paid	48.68	83491 11/24 ML	City Credit Card M. Liebetrau
CORPPAY	01452122 541000	Professional Svcs - General	2024	12	INV	Paid	99.99	83491 11/24 ML	City Credit Card M. Liebetrau
CORPPAY	01452140 543000	Training & Travel	2024	12	INV	Paid	257.00	83491 11/24 M Black	D. Vladis lodging for training Red Dot Instrctr
CORPPAY	01452150 535400	Police Firearms & Weapons	2024	12	INV	Paid	273.38	83491 11/24 ML	City Credit Card M. Liebetrau
CORPPAY	40153410 549100	City-Sponsored Expenses	2024	12	INV	Paid	68.64	83491 11/24 JH	City Credit Card J. Hamlin
CORPPAY	40353190 549100	City-Sponsored Expenses	2024	12	INV	Paid	68.64	83491 11/24 JH	City Credit Card J. Hamlin
CORPPAY	51051821 542300	Postage & Freight	2024	12	INV	Paid	32.00	83491 11/24 Finance	City Credit Card Finance Dept.
DARKHORS	EXE51310 549100	City-Sponsored Expenses	2024	12	INV	Paid	2,435.71	83492 20241121 Hats-Tees	T shirts and hats for staff for Mayor's Breakfast
ESRI	50251881 548860	Hardware-Software Maintenance	2024	12	INV	Paid	13,393.96	83493 94751598	Basic Lease payment ArcGIS
Evergreen Ford	50154868 531301	Repair Parts	2024	12	INV	Paid	210.57	83494 5210576	Wiper motor replacement #405 pu
Evergreen Ford	50154868 548000	Repair & Maintenance Services	2024	12	INV	Paid	1,920.79	83494 6304087/1	Crank no start VCT sensor bad- replaced
FRANKSFL	PKF57680 548000	Repair & Maintenance Services	2024	12	INV	Paid	1,140.10	83495 81023	Flag Pole repair
GALLSLLC	FIR52220 531051	Personal Protective Equipment	2024	12	INV	Paid	941.40	83496 029565278	Extraction suites x4 and heat transfer lettering

GALLSLLC	NON36991 369910	Miscellaneous Revenues	2024	12	CRM	Paid	-51.31	83496	CM 60401	Credit for orig. invoice # BC1792891
GALLSLLC	NON36991 369910	Miscellaneous Revenues	2024	12	CRM	Paid	-44.21	83496	CM 60585	Credit for orig. invoice # BC1804929
GALLSLLC	POL52122 531050	Uniforms & Protective Gear	2024	12	CRM	Paid	-93.28	83496	029385100	Credit memo for orig Inv #029538268
GALLSLLC	POL52122 531050	Uniforms & Protective Gear	2024	12	INV	Paid	96.00	83496	029538268	C. Smith- Boots
GALLSLLC	01452122 531050	Uniforms & Protective Gear	2024	12	CRM	Paid	-93.28	83496	029385100	Credit memo for orig Inv #029538268
GALLSLLC	01452122 531050	Uniforms & Protective Gear	2024	12	INV	Paid	96.00	83496	029538268	C. Smith- Boots
GENDIGIT	HUM51810 549200	Dues-Subscriptions-Memberships	2024	12	INV	Paid	136.29	83497	10010523848	Norton LifeLock coverage for 14 employees
GRAINGER	40153481 531910	Operating Supplies	2024	12	INV	Paid	30.15	83498	9321467632	First aid kit for North Well Trtmt Plant
Ivoxy Consulting Inc	50259418 564100	IT Shared System Hardware	2024	12	INV	Paid	16,866.14	83499	TYLWI3021	Juniper Wireless Access Points
Ivoxy Consulting Inc	50259418 564104	Core Switch Replacement	2024	12	INV	Paid	43,841.09	83499	TYLWI3034	Juniper Access Switches, Cable, Support
JB Tree Svc	40353190 548156	Emergency Tree Removal	2024	12	INV	Paid	5,564.10	83500	11/27/24	Rmv trees frm prvt property & ROW -11/19 winds
JENKINSP	40353135 548000	Repair & Maintenance Services	2024	12	INV	Paid	3,766.96	83501	29195	Catchbasin cleaning- Snoqualmie Parkway
JENKINSP	40353135 548000	Repair & Maintenance Services	2024	12	INV	Paid	3,139.00	83501	29197	Catchbasin cleaning- Snoqualmie Parkway
JENKINSP	40353135 548000	Repair & Maintenance Services	2024	12	INV	Paid	4,394.93	83501	29211	Catch basin cleaning
JENKINSP	40353135 548000	Repair & Maintenance Services	2024	12	INV	Paid	2,144.62	83501	29235	Catch basin cleaning / storm pond clng-Kinsey Po
JENKINSP	40353135 548000	Repair & Maintenance Services	2024	12	INV	Paid	3,139.00	83501	29241	Catch basin cleaning
JENKINSP	40353135 548000	Repair & Maintenance Services	2024	12	INV	Paid	3,892.56	83501	29242	Catch basin cleaning- Snoqualmie Parkway
JENKINSP	40353135 548000	Repair & Maintenance Services	2024	12	INV	Paid	1,471.40	83501	29245	Storm pond cleaning- Kinsey Pond outlet structur
JENKINSP	40353135 548000	Repair & Maintenance Services	2024	12	INV	Paid	3,540.18	83501	29273	Catch basin cleaning on Snoqualmie Parkway
JENKINSP	40353135 548000	Repair & Maintenance Services	2024	12	INV	Paid	3,880.18	83501	29274	Catch basin cleaning
JENKINSP	40353135 548000	Repair & Maintenance Services	2024	12	INV	Paid	3,040.90	83501	29276	Catch basin cleaning and wash bay at PPW
JENKINSP	40353135 548000	Repair & Maintenance Services	2024	12	INV	Paid	3,641.37	83501	29303	Catch basin cleaning
Krazan & Associates	31175050 541064	Kimball Ck Bridges -Const Mgmt	2024	12	INV	Paid	8,311.00	83502	INV I624695-32441	Construction testing & inspection svcs
LNC5	FIR52250 535900	Small Tools & Equipment	2024	12	INV	Paid	8,058.61	83503	INV887004	Pressure mid-size nozzle for rig
LNC5	POL52110 523100	Clothing Allowance	2024	12	INV	Paid	118.74	83503	INV882336	B. Lynch polo w/ embroidery
LNC5	POL52110 523100	Clothing Allowance	2024	12	INV	Paid	99.39	83503	INV884539	Chaplain P. Hamman dress shoe
LNC5	POL52110 523100	Clothing Allowance	2024	12	INV	Paid	244.67	83503	INV886916	Chaplain Hamman drs coat, wvn lace & shldr brai
LNC5	POL52122 531050	Uniforms & Protective Gear	2024	12	INV	Paid	1,931.07	83503	INV882350	W. Schannauer armor panel set, covert carrier
LNC5	POL52122 531050	Uniforms & Protective Gear	2024	12	INV	Paid	87.28	83503	INV884623	C. Holmes name patch w/velcro x3
LNC5	POL52122 531050	Uniforms & Protective Gear	2024	12	INV	Paid	453.96	83503	INV884647	C. Holmes, sweatshirt/pant, pant x2, shorts, shirt
LNC5	POL52122 531050	Uniforms & Protective Gear	2024	12	INV	Paid	37.21	83503	INV886483	W. Schannauer name patch and embroidery
LNC5	POL52122 531050	Uniforms & Protective Gear	2024	12	INV	Paid	24.67	83503	INV886540	C. Holmes engraved name plate- nickel
LNC5	POL52122 531050	Uniforms & Protective Gear	2024	12	INV	Paid	901.22	83503	INV887012	C. Holmes, pants, tie bar, shirt, Jkt, hat, patches
LNC5	01452122 531050	Uniforms & Protective Gear	2024	12	INV	Paid	312.95	83503	INV884290	S. Tye Apex pant x3
LNC5	01452122 531050	Uniforms & Protective Gear	2024	12	INV	Paid	635.59	83503	INV886508	S. Tye - Polo x2, Tactix parka jacket, name patch
LNC5	01452122 531050	Uniforms & Protective Gear	2024	12	INV	Paid	23.58	83503	INV886825	J. Spears velcro patches x2
MA	PLN55860 541040	Engineering Services	2024	12	INV	Paid	4,862.50	83504	180290	Transportation Impact Fee rate study
MA	PLN55861 541040	Engineering Services	2024	12	INV	Paid	2,338.70	83504	180389	Snoq. Valley Community Health Center Parcel S21
Marcus Sanchez	63123150 231500	Undistributed Payroll Deductns	2024	12	INV	Paid	29.00	83505	LTD Reimb.	Payroll Deduction Reimbursement- M. Sanchez
Massana Construction	31175050 563002	Kimball Ck Bridges -Const	2024	12	INV	Paid	437,113.68	83506	Pay Estimate #3	Pay Est. #3 at base bid price- no sales incl.
MATZKEN	POL52110 541000	Professional Svcs - General	2024	12	INV	Paid	250.00	83507	111524	Polygraph examination- Erik Rhyne
MGT Impact Solutions	HUM51810 541420	HR-Related Services	2024	12	INV	Paid	1,121.25	83508	GHR100604	Classification & Compensation Study
Minuteman Press	EVE57390 549300	Printing	2024	12	INV	Paid	324.57	83509	94049	Snoqualmie Winter Lights printing
NAVIA AP	00150020 522300	HRA Medical Reimbursements	2024	12	INV	Paid	10.35	83510	10898339	HRA Admin Fees- October
NAVIA AP	CLK51420 522300	HRA Medical Reimbursements	2024	12	INV	Paid	4.14	83510	10898339	HRA Admin Fees- October
NAVIA AP	COM55720 522300	HRA Medical Reimbursements	2024	12	INV	Paid	4.14	83510	10898339	HRA Admin Fees- October
NAVIA AP	EVE57120 522300	HRA Medical Reimbursements	2024	12	INV	Paid	2.90	83510	10898339	HRA Admin Fees- October
NAVIA AP	EXE51310 522300	HRA Medical Reimbursements	2024	12	INV	Paid	8.28	83510	10898339	HRA Admin Fees- October
NAVIA AP	FIN51423 522300	HRA Medical Reimbursements	2024	12	INV	Paid	45.54	83510	10898339	HRA Admin Fees- October
NAVIA AP	FIR52210 522300	HRA Medical Reimbursements	2024	12	INV	Paid	2.07	83510	10898339	HRA Admin Fees- October
NAVIA AP	FIR52220 522300	HRA Medical Reimbursements	2024	12	INV	Paid	2.48	83510	10898339	HRA Admin Fees- October
NAVIA AP	HUM51810 522300	HRA Medical Reimbursements	2024	12	INV	Paid	8.28	83510	10898339	HRA Admin Fees- October
NAVIA AP	LEG51531 522300	HRA Medical Reimbursements	2024	12	INV	Paid	4.14	83510	10898339	HRA Admin Fees- October
NAVIA AP	NON51810 541000	Professional Svcs - General	2024	12	INV	Paid	100.00	83510	10898338	FSA Admin Fees- October
NAVIA AP	PKA57680 522300	HRA Medical Reimbursements	2024	12	INV	Paid	0.83	83510	10898339	HRA Admin Fees- October
NAVIA AP	PKF57680 522300	HRA Medical Reimbursements	2024	12	INV	Paid	24.85	83510	10898339	HRA Admin Fees- October
NAVIA AP	PLN55860 522300	HRA Medical Reimbursements	2024	12	INV	Paid	7.45	83510	10898339	HRA Admin Fees- October
NAVIA AP	POL52110 522300	HRA Medical Reimbursements	2024	12	INV	Paid	15.57	83510	10898339	HRA Admin Fees- October
NAVIA AP	POL52121 522300	HRA Medical Reimbursements	2024	12	INV	Paid	4.14	83510	10898339	HRA Admin Fees- October

NAVIA AP	POL52122 522300	HRA Medical Reimbursements	2024	12	INV	Paid	45.13	83510 10898339	HRA Admin Fees- October
NAVIA AP	POL52131 522300	HRA Medical Reimbursements	2024	12	INV	Paid	4.14	83510 10898339	HRA Admin Fees- October
NAVIA AP	STR54230 522300	HRA Medical Reimbursements	2024	12	INV	Paid	4.14	83510 10898339	HRA Admin Fees- October
NAVIA AP	STR54290 522300	HRA Medical Reimbursements	2024	12	INV	Paid	0.83	83510 10898339	HRA Admin Fees- October
NAVIA AP	01452110 522300	HRA Medical Reimbursements	2024	12	INV	Paid	0.99	83510 10898339	HRA Admin Fees- October
NAVIA AP	01452122 522300	HRA Medical Reimbursements	2024	12	INV	Paid	49.68	83510 10898339	HRA Admin Fees- October
NAVIA AP	31132010 522300	HRA Medical Reimbursements	2024	12	INV	Paid	2.19	83510 10898339	HRA Admin Fees- October
NAVIA AP	31132020 522300	HRA Medical Reimbursements	2024	12	INV	Paid	3.06	83510 10898339	HRA Admin Fees- October
NAVIA AP	31132030 522300	HRA Medical Reimbursements	2024	12	INV	Paid	3.02	83510 10898339	HRA Admin Fees- October
NAVIA AP	40153410 522300	HRA Medical Reimbursements	2024	12	INV	Paid	1.45	83510 10898339	HRA Admin Fees- October
NAVIA AP	40153481 522300	HRA Medical Reimbursements	2024	12	INV	Paid	22.77	83510 10898339	HRA Admin Fees- October
NAVIA AP	40153915 522300	HRA Medical Reimbursements	2024	12	INV	Paid	0.62	83510 10898339	HRA Admin Fees- October
NAVIA AP	40153935 522300	HRA Medical Reimbursements	2024	12	INV	Paid	6.21	83510 10898339	HRA Admin Fees- October
NAVIA AP	40253510 522300	HRA Medical Reimbursements	2024	12	INV	Paid	1.66	83510 10898339	HRA Admin Fees- October
NAVIA AP	40253580 522300	HRA Medical Reimbursements	2024	12	INV	Paid	33.12	83510 10898339	HRA Admin Fees- October
NAVIA AP	40353110 522300	HRA Medical Reimbursements	2024	12	INV	Paid	1.24	83510 10898339	HRA Admin Fees- October
NAVIA AP	40353130 522300	HRA Medical Reimbursements	2024	12	INV	Paid	8.28	83510 10898339	HRA Admin Fees- October
NAVIA AP	40353190 522300	HRA Medical Reimbursements	2024	12	INV	Paid	8.28	83510 10898339	HRA Admin Fees- October
NAVIA AP	41759431 522300	HRA Medical Reimbursements	2024	12	INV	Paid	2.69	83510 10898339	HRA Admin Fees- October
NAVIA AP	41759434 522300	HRA Medical Reimbursements	2024	12	INV	Paid	5.38	83510 10898339	HRA Admin Fees- October
NAVIA AP	41759435 522300	HRA Medical Reimbursements	2024	12	INV	Paid	5.38	83510 10898339	HRA Admin Fees- October
NAVIA AP	50154861 522300	HRA Medical Reimbursements	2024	12	INV	Paid	0.41	83510 10898339	HRA Admin Fees- October
NAVIA AP	50154868 522300	HRA Medical Reimbursements	2024	12	INV	Paid	6.21	83510 10898339	HRA Admin Fees- October
NAVIA AP	50251888 522300	HRA Medical Reimbursements	2024	12	INV	Paid	24.84	83510 10898339	HRA Admin Fees- October
NAVIA AP	51051820 522300	HRA Medical Reimbursements	2024	12	INV	Paid	0.21	83510 10898339	HRA Admin Fees- October
NAVIA AP	51051821 522300	HRA Medical Reimbursements	2024	12	INV	Paid	6.21	83510 10898339	HRA Admin Fees- October
Nigel Draveling	63123150 231500	Undistributed Payroll Deductns	2024	12	INV	Paid	29.00	83511 LTD Reimb.	Payroll Deduction Reimbursement- N. Draveling
OFFICES	PLN55860 541100	Outside Legal Services - Gen	2024	12	INV	Paid	2,240.00	83512 1400	Hearing & decision in the NWRM variance
PACIFICA	PLN55860 541100	Outside Legal Services - Gen	2024	12	INV	Paid	1,389.49	83513 93583	10062.16 Ladder properties code enforcement
PARAMET	31137020 541000	Community Ctr - Prof'l Svcs	2024	12	INV	Paid	449.28	83514 60163	Community Ctr Design/Build Support Svcs to 10/5/24
PARAMET	40153481 541050	Engineering Services	2024	12	INV	Paid	4,840.20	83514 61366	For Canyon Sprgs chlorination bldg survey & map
PARAMET	41750935 541040	384th St - Const Mgmt	2024	12	INV	Paid	9,487.10	83514 60595	For 384th Ave. Const Mgt Svcs Ending 10/5/2024
PERFSYS	51051821 548000	Repair & Maintenance Services	2024	12	INV	Paid	258.57	83515 12643204	Fire extinguisher annual service and maintenance
Perteet Eng	PLN55860 541040	Engineering Services	2024	12	INV	Paid	4,484.64	83516 00023042.0012-1	City project archives coordination & Transfer
Perteet Eng	PLN55860 541040	Engineering Services	2024	12	INV	Paid	750.00	83516 00023042.0013-1	CG2024 recalmed water distrib. sys imprvmts (P
Perteet Eng	PLN55860 541040	Engineering Services	2024	12	INV	Paid	375.00	83516 00023042.0015-1	CG2024-001 Sandy cove Park Restoration
Perteet Eng	PLN55861 541040	Engineering Services	2024	12	INV	Paid	1,031.25	83516 00022222.0000-229	SR II, Parcel S22
Perteet Eng	PLN55861 541040	Engineering Services	2024	12	INV	Paid	34,400.76	83516 00023042.0000-246	Ridgepointe, Parcel S14; Snoq Valley Health (CED)
PlanIT Geo	40353190 541000	Professional Svcs - General	2024	12	INV	Paid	7,164.73	83517 QB INV-25841	Tree canopy cover assesmt- Anal & classification
PSE	FIR52250 547100	Electricity	2024	12	INV	Paid	1,588.64	83518 257959 11/24	Electricity
PSRFA	50154868 548000	Repair & Maintenance Services	2024	12	INV	Paid	195.66	83519 11174	Maint. contract for 2 Fire Trucks & 2 aid units
PSRFA	50154868 548000	Repair & Maintenance Services	2024	12	INV	Paid	482.61	83519 11175	Maint. contract for 2 Fire Trucks & 2 aid units
PSRFA	50154868 548000	Repair & Maintenance Services	2024	12	INV	Paid	2,885.96	83519 11295	Maint. contract for 2 Fire Trucks & 2 aid units
PSRFA	50154868 548000	Repair & Maintenance Services	2024	12	INV	Paid	2,170.69	83519 11317	Maint. contract for 2 Fire Trucks & 2 aid units
PSRFA	50154868 548000	Repair & Maintenance Services	2024	12	INV	Paid	5,989.19	83519 11394	Maint. contract for 2 Fire Trucks & 2 aid units
PSRFA	50154868 548000	Repair & Maintenance Services	2024	12	INV	Paid	302.79	83519 11411	Maint. contract for 2 Fire Trucks & 2 aid units
PT	40153481 548000	Repair & Maintenance Services	2024	12	INV	Paid	18,871.37	83520 0212393-IN	599 pump repair
PT	40153481 548000	Repair & Maintenance Services	2024	12	INV	Paid	45,885.91	83520 0212394-IN	Winery booster pump replacement
Puget Paving & Const	31059532 563000	Street Resurface - Construct	2024	12	INV	Paid	9,386.25	83521 24-118-3	2024 road maint. and repair project -final pay
ROBERT HALF	FIN51423 541190	Temporary Agency Personnel	2024	12	INV	Paid	2,436.00	83522 64325110	S. Wong- Payroll specialist support-retro & other
ROBERT HALF	FIN51423 541190	Temporary Agency Personnel	2024	12	INV	Paid	2,310.00	83522 64347683	S. Wong-Payroll specialist (retro & other)
ROBERT HALF	PLN55860 541190	Temporary Agency Personnel	2024	12	INV	Paid	1,015.00	83522 64289019	A. Jain CD Support
ROBERT HALF	PLN55860 541190	Temporary Agency Personnel	2024	12	INV	Paid	1,015.00	83522 64316372	A. Jain CD Support
SEATIMES	CLK51420 541320	Legal Notices	2024	12	INV	Paid	105.00	83523 88823	Public Hearing Notice-Traffic Impact Fee Prgm
SEATIMES	CLK51420 541320	Legal Notices	2024	12	INV	Paid	207.00	83523 88886	Public Hrg Notice-Adoption of Comprehensive Pla
SEATIMES	CLK51420 541330	Ordinance Publication	2024	12	INV	Paid	75.00	83523 89162	Ordinance 1298
SEATIMES	CLK51420 541330	Ordinance Publication	2024	12	INV	Paid	77.50	83523 89163	Ordinance 1299
SHREDIT	FIR52220 541000	Professional Svcs - General	2024	12	INV	Paid	65.75	83524 8008686783	Shredding services
Spartan Armor Syst	FIR52220 531051	Personal Protective Equipment	2024	12	INV	Paid	1,850.29	83525 S25932	Soft armor protection vest for Firefighters

SPOK	40153935 542000	Telephone Service	2024	12	INV	Paid	30.24	83526 H0303878W	Monthly irrigation pager service
SQUAK MT	STR54230 531300	Repair & Maintenance Supplies	2024	12	INV	Paid	15,537.53	83527 220000314097	Fowler Pots Center St./Railroad Ave.
ST AUDITOR	FIN51423 541091	State Auditor Services	2024	12	INV	Paid	3,197.00	83528 L163702	Audit Services-2022-23 Federal- September
ST AUDITOR	FIN51423 541091	State Auditor Services	2024	12	INV	Paid	9,313.00	83528 L164224	FY 2021 & FY 2022-2023 Audit Services - October
SUMMIT LAW	HUM51810 541120	Legal Consulting Svcs - HR	2024	12	INV	Paid	246.00	83529 158968	Legal Svcs RE: SPA
SUMMIT LAW	HUM51810 541120	Legal Consulting Svcs - HR	2024	12	INV	Paid	1,644.00	83529 158969	Legal Svcs RE: Teamsters
SV HISTORY MUSEUM	11055736 541000	Professional Svcs - General	2024	12	INV	Paid	1,200.00	83530 2024 LTAC #2	Expanded staffing for Museum
TAVCOM	HUM51810 541420	HR-Related Services	2024	12	INV	Paid	1,500.00	83531 T1023177	Employment ad 4th Qtr Nat. Veterans review sect
TJE	40353190 548156	Emergency Tree Removal	2024	12	INV	Paid	23,849.26	83532 04819-I	Rmv trees fm prvt property & ROW -11/19 winds
TYLERTEC	35059418 541000	Professional Svcs - General	2024	12	INV	Paid	2,608.00	83533 045-491662	Tyler Consulting Services
TYLERTEC	35059418 541000	Professional Svcs - General	2024	12	INV	Paid	10,429.57	83533 045-492250	Tyler Consulting Services
TYLERTEC	35059418 541000	Professional Svcs - General	2024	12	INV	Paid	1,304.00	83533 045-493153	Tyler Consulting Services
ULINE	PKF57680 531300	Repair & Maintenance Supplies	2024	12	INV	Paid	7,325.77	83534 182873487	Parks restroom supplies
ULINE	STR54230 531910	Operating Supplies	2024	12	INV	Paid	242.46	83534 180810890	Hi vis vests
ULINE	40153481 531300	Repair & Maintenance Supplies	2024	12	INV	Paid	1,003.02	83534 185686965	Scaffolding for NWTP
VERIZCS	40153935 542000	Telephone Service	2024	12	INV	Paid	355.68	83535 9978890372	Monthly cell modem charges
VERIZCS	40253510 542010	Cellular Telephone	2024	12	INV	Paid	378.78	83535 9942729323	SCADA m2m communications
VERIZCS	50251888 542010	Cellular Telephone	2024	12	INV	Paid	10,069.92	83535 9978890371	Monthly Cellular Telephone Service
Washington Economic	PLN55860 549200	Dues-Subscriptions-Memberships	2024	12	INV	Paid	400.00	83536 9232	2025 Membership- Org. in WEDA
Water Mgmt Group	40153935 541000	Professional Svcs - General	2024	12	INV	Paid	4,004.98	83537 21842	December 2024 maxicom monitoring services
WLACE	01452150 531300	Repair & Maintenance Supplies	2024	12	INV	Paid	22.45	83538 15312316	Deck screws and extension cord- Annex
WLACE	01452150 531300	Repair & Maintenance Supplies	2024	12	INV	Paid	13.04	83538 15312321	Wall plates - annex
WLACE	40153935 531300	Repair & Maintenance Supplies	2024	12	INV	Paid	160.29	83538 15313655	Hole saw bits
WSAFC	FIR52210 549200	Dues-Subscriptions-Memberships	2024	12	INV	Paid	2,340.90	83539 2777	Fire Agency Membership

City of Snoqualmie

Claims presented to the City to be paid in the amount of 1,471,424.55

For claims warrants numbered 83540 through 83617 & dated 12/19/2024

#132

AM TEST	40253585 541000	Professional Svcs - General	2024	12	INV	Paid	1,330.00	83540 A24G2460	CIP project testing
AMZONCAP	00280130 531900	Miscellaneous Supplies	2024	12	INV	Paid	381.64	83541 14C7-XV7R-6LPD	Winter lights supplies
AMZONCAP	COM55720 535900	Small Tools & Equipment	2024	12	INV	Paid	213.74	83541 1PC7-PNWX-WMHR	Video equipment-Microphone, camera cage/hand
AMZONCAP	FIN51423 531000	Office Supplies	2024	12	INV	Paid	21.81	83541 1KKH-T9PV-96LF	Wireless mouse for Ellen Kim
AMZONCAP	POL52122 531000	Office Supplies	2024	12	INV	Paid	24.00	83541 1KXN-YDML-H6WL	Interoffice walkie talkies (2)
AMZONCAP	POL52122 531820	Info Tech Components	2024	12	INV	Paid	66.91	83541 1TM7-KFNG-XXRJ	charge adapters, cables for evidence, USB's
AMZONCAP	40153481 531300	Repair & Maintenance Supplies	2024	12	INV	Paid	106.80	83541 14MX-HDGG-69HK	Alligator clip, bilge pump, backwash hose
AMZONCAP	40153481 531300	Repair & Maintenance Supplies	2024	12	INV	Paid	346.90	83541 1JHY-VVGG-HTCH	tool bags and batteries
AMZONCAP	40353130 531820	Info Tech Components	2024	12	INV	Paid	212.69	83541 1PN1-QGXD-1Y6V	Urban Forestry iPad cases and Apple pencil
AMZONCAP	50251881 531820	Info Tech Components	2024	12	INV	Paid	537.58	83541 1P3Y-94GF-3MX7	Wiris mouse, network tool kit, scanner, multimeter
AMZONCAP	50251888 531300	Repair & Maintenance Supplies	2024	12	INV	Paid	32.35	83541 1HTF-PTG1-WRQQ	Rack nuts and bolts
AMZONCAP	50251888 531300	Repair & Maintenance Supplies	2024	12	INV	Paid	49.10	83541 1VN4-MJCF-47G9	Imaging drum replacement for HR printer
ASPECT	40353145 541050	Engineering Services	2024	12	INV	Paid	890.00	83542 598426	For 2024 Bioswale Sediment Testing- Nov.
ASPECT	41739434 541070	Source of Supply - Studies & I	2024	12	INV	Paid	29,637.50	83542 594488	ASR Analysis and Feas. study svcs ending 10/27/2
ASPECT	41739434 541070	Source of Supply - Studies & I	2024	12	INV	Paid	7,971.25	83542 598373	ASR Analysis and Feas. study svcs ending 12/1/24
AT&TGDC	01452122 541000	Professional Svcs - General	2024	12	INV	Paid	120.00	83543 536641	Cell phone tower/area search feb 24N-3730
AWCCOBRA	FIN51423 522200	Medical-Dental-Vision Benefits	2024	12	INV	Paid	1,992.83	83544 12.2024	COBRA payment for Gerald Knutsen: BSI: 3600730
CARLSONC	PKF57680 531300	Repair & Maintenance Supplies	2024	12	INV	Paid	9,600.80	83545 33420	Jeanne Hansen building repair
CBRE	40153481 541000	Professional Svcs - General	2024	12	INV	Paid	3,000.00	83546 085464-1-24	Rental Appraisal for NLS lease site
CENLINK	50251888 542000	Telephone Service	2024	12	INV	Paid	1,392.76	83547 300575004 11/24	Snoqualmie police land lines-Nov 20-Dec 19
Central Welding	FIR52220 531910	Operating Supplies	2024	12	INV	Paid	109.03	83548 0002134636	Sm/Med High Pressure & Haz Mat
Central Welding	FIR52220 531910	Operating Supplies	2024	12	INV	Paid	209.87	83548 0002145275	Sm/Med High Pressure & Haz Mat
Central Welding	FIR52220 531910	Operating Supplies	2024	12	INV	Paid	4.78	83548 0002198196	Service chg for past inv.0002134636 & 000214527
Central Welding	FIR52220 531910	Operating Supplies	2024	12	INV	Paid	109.03	83548 0002238377	Sm/Med High pressure & Haz Mat
CENTURYLINK	50251888 542000	Telephone Service	2024	12	INV	Paid	719.88	83549 300568001 11/24	Monthly telephone service
CENTURYLINK	50251888 542000	Telephone Service	2024	12	INV	Paid	90.90	83549 300570848 11/24	Monthly telephone service
CENTURYLINK	50251888 542000	Telephone Service	2024	12	INV	Paid	744.80	83549 300571491 11/24	Monthly telephone service
CENTURYLINK	50251888 542000	Telephone Service	2024	12	INV	Paid	133.97	83549 300573862 11/24	Monthly telephone service
CENTURYLINK	50251888 542000	Telephone Service	2024	12	INV	Paid	212.52	83549 300576080 11/24	Monthly telephone service
CENTURYLINK	50251888 542000	Telephone Service	2024	12	INV	Paid	1.10	83549 402478791 11/24	Monthly telephone service
CENTURYLINK	50251888 542000	Telephone Service	2024	12	INV	Paid	1,585.08	83549 411746240 11/24	Monthly telephone service

Chinook Lumber	STR54230 531300	Repair & Maintenance Supplies	2024	12	INV	Paid	43,971.88	83550 2075983	Fencing material
Cimco-GC Systems	40153481 548000	Repair & Maintenance Services	2024	12	INV	Paid	16,873.41	83551 6210	Canyon Springs pilot kit upgrade
COI	POL52360 541502	Jail Services - Issaquah	2024	12	INV	Paid	18,061.28	83552 24000474	Issaquah Jail- misc medical- Snoq. inmates 10/202
CORED	FIR52210 549210	KCEMS Reimbursable Services	2024	12	INV	Paid	3,436.00	83553 FTI0000564	MIH Q3 2024- KCEMS Reimb. svcs
CORPPAY	50251881 531800	Department Software	2024	12	INV	Paid	253.93	83554 11/24 FL	City Credit Card F. Lacroix
CORPPAY	50251888 541030	Info Tech Services	2024	12	INV	Paid	856.42	83554 11/24 IT	City Credit Card IT Dept.
COS	FIR52250 547300	Water - Sewer - Stormwater	2024	12	INV	Paid	856.22	83555 UB 11/24	COS UB 11/24
COS	NON51820 547300	Water - Sewer - Stormwater	2024	12	INV	Paid	194.20	83555 UB 11/24	COS UB 11/24
COS	PKF57680 547300	Water - Sewer - Stormwater	2024	12	INV	Paid	12,101.82	83555 UB 11/24	COS UB 11/24
COS	POL52150 547300	Water - Sewer - Stormwater	2024	12	INV	Paid	972.07	83555 UB 11/24	COS UB 11/24
COS	STR54230 547300	Water - Sewer - Stormwater	2024	12	INV	Paid	1,650.92	83555 UB 11/24	COS UB 11/24
COS	STR54270 547300	Water - Sewer - Stormwater	2024	12	INV	Paid	195.51	83555 UB 11/24	COS UB 11/24
COS	40153481 547300	Water - Sewer - Stormwater	2024	12	INV	Paid	884.17	83555 UB 11/24	COS UB 11/24
COS	40153935 547300	Water - Sewer - Stormwater	2024	12	INV	Paid	250.30	83555 UB 11/24	COS UB 11/24
COS	40253580 547300	Water - Sewer - Stormwater	2024	12	INV	Paid	8,857.56	83555 UB 11/24	COS UB 11/24
COS	40353130 547300	Water - Sewer - Stormwater	2024	12	INV	Paid	965.92	83555 UB 11/24	COS UB 11/24
COS	51051821 547300	Water - Sewer - Stormwater	2024	12	INV	Paid	6,505.77	83555 UB 11/24	COS UB 11/24
CP	CLK51420 541000	Professional Svcs - General	2024	12	INV	Paid	442.95	83556 GC10016084	Snoqualmie Municipal Code web update
CTV	FIR52220 531910	Operating Supplies	2024	12	INV	Paid	43.63	83557 B389764	Surge outlet for station
CTV	PKF57680 531300	Repair & Maintenance Supplies	2024	12	INV	Paid	34.88	83557 B388936	Assorted repair and maintenance supplies
CTV	PKF57680 531300	Repair & Maintenance Supplies	2024	12	INV	Paid	23.39	83557 B389007	Assorted repair and maintenance supplies
CTV	PKF57680 531300	Repair & Maintenance Supplies	2024	12	INV	Paid	53.68	83557 B389077	Assorted repair and maintenance supplies
CTV	PKF57680 531300	Repair & Maintenance Supplies	2024	12	INV	Paid	136.38	83557 B389107	Assorted repair and maintenance supplies
CTV	PKF57680 531300	Repair & Maintenance Supplies	2024	12	INV	Paid	11.98	83557 B389235	Assorted repair and maintenance supplies
CTV	PKF57680 531300	Repair & Maintenance Supplies	2024	12	INV	Paid	15.57	83557 B389431	Assorted repair and maintenance supplies
CTV	PKF57680 531300	Repair & Maintenance Supplies	2024	12	INV	Paid	62.15	83557 B389484	Assorted repair and maintenance supplies
CTV	PKF57680 531300	Repair & Maintenance Supplies	2024	12	INV	Paid	112.82	83557 B389662	Assorted repair and maintenance supplies
CTV	PKF57680 531300	Repair & Maintenance Supplies	2024	12	INV	Paid	71.94	83557 B390062	Assorted repair and maintenance supplies
CTV	PKF57680 531300	Repair & Maintenance Supplies	2024	12	INV	Paid	41.45	83557 B390119	Assorted repair and maintenance supplies
CTV	PKF57680 531300	Repair & Maintenance Supplies	2024	12	INV	Paid	15.26	83557 B390138	Assorted repair and maintenance supplies
CTV	PKF57680 531300	Repair & Maintenance Supplies	2024	12	INV	Paid	7.62	83557 B390314	Assorted repair and maintenance supplies
CTV	POL52150 531300	Repair & Maintenance Supplies	2024	12	INV	Paid	55.50	83557 A311320	Ammonia, squeegee, scrubber, bucket
CTV	POL52150 531300	Repair & Maintenance Supplies	2024	12	INV	Paid	11.97	83557 B355221	Teflon lubricant
CTV	POL52150 531300	Repair & Maintenance Supplies	2024	12	INV	Paid	64.55	83557 B370827	Seal tape
CTV	POL52150 531300	Repair & Maintenance Supplies	2024	12	INV	Paid	27.20	83557 B371980	Wire hooks, liners
CTV	POL52150 531300	Repair & Maintenance Supplies	2024	12	INV	Paid	119.76	83557 B372123	Hose, nozzle
CTV	POL52150 531300	Repair & Maintenance Supplies	2024	12	INV	Paid	21.84	83557 B374829	Wall anchors, levels
CTV	STR54230 531300	Repair & Maintenance Supplies	2024	12	INV	Paid	16.54	83557 A311699	Assorted repair and maintenance supplies
CTV	STR54230 531300	Repair & Maintenance Supplies	2024	12	INV	Paid	60.86	83557 B389106	Assorted repair and maintenance supplies
CTV	STR54230 531300	Repair & Maintenance Supplies	2024	12	INV	Paid	28.34	83557 B389953	Assorted repair and maintenance supplies
CTV	STR54230 531300	Repair & Maintenance Supplies	2024	12	INV	Paid	252.97	83557 B390388	Assorted repair and maintenance supplies
CTV	STR54230 531300	Repair & Maintenance Supplies	2024	12	INV	Paid	15.03	83557 B390442	Assorted repair and maintenance supplies
CTV	STR54230 531300	Repair & Maintenance Supplies	2024	12	CRM	Paid	-28.98	83557 B390455	Assorted repair and maintenance supplies
CTV	01452150 531300	Repair & Maintenance Supplies	2024	12	INV	Paid	54.39	83557 B377145	Keys for North Bend Annex
CTV	01452150 531300	Repair & Maintenance Supplies	2024	12	INV	Paid	35.16	83557 B377243	Toilet brush set, door stop, knife, foam tape
CTV	01452150 531300	Repair & Maintenance Supplies	2024	12	INV	Paid	54.39	83557 B377481	Keys
CTV	01452150 531300	Repair & Maintenance Supplies	2024	12	INV	Paid	12.84	83557 B382379	Hook strips, sawtooth hangers
CTV	40153481 531300	Repair & Maintenance Supplies	2024	12	INV	Paid	70.87	83557 B389169	Assorted repair and maintenance supplies
CTV	40353130 531300	Repair & Maintenance Supplies	2024	12	INV	Paid	9.26	83557 B389962	Assorted repair and maintenance supplies
CTV	51051821 531300	Repair & Maintenance Supplies	2024	12	INV	Paid	14.16	83557 B389004	Assorted repair and maintenance supplies
CTV	51051821 531300	Repair & Maintenance Supplies	2024	12	INV	Paid	68.67	83557 B389280	Assorted repair and maintenance supplies
CTV	51051821 531300	Repair & Maintenance Supplies	2024	12	INV	Paid	34.88	83557 B389294	Assorted repair and maintenance supplies
CTV	51051821 531300	Repair & Maintenance Supplies	2024	12	INV	Paid	392.65	83557 B390389	Assorted repair and maintenance supplies
DOE	40253510 523300	Reimb - Dues, Licenses & Cert	2024	12	INV	Paid	200.00	83558 OP-25Beach7543	Lyle Beach OP 3 certification renewal
DOE	40253510 523300	Reimb - Dues, Licenses & Cert	2024	12	INV	Paid	200.00	83558 OP-25Dalzie8623	Ryan Dalziel OP 2 certification renewal
DOE	40253510 523300	Reimb - Dues, Licenses & Cert	2024	12	INV	Paid	200.00	83558 OP-25George9277	Jay George OP 3 certification renewal
DOE	40253510 523300	Reimb - Dues, Licenses & Cert	2024	12	INV	Paid	200.00	83558 OP-25Holmes6854	Tom Holmes OP 4 certification renewal
DOE	40253510 523300	Reimb - Dues, Licenses & Cert	2024	12	INV	Paid	200.00	83558 OP-25Miller8985	Matt Miller OP 3 certification renewal
DONSMALL	50154868 532100	Gasoline/Diesel Fuel	2024	12	INV	Paid	14,190.68	83559 0268249	G-1 Gen set Fuel- WWTP

DOO	STR54267 548000	St Clean Repair & Maint Svcs	2024	12	INV	Paid	4,273.50	83560 1010	Street sweeping
DOO	STR54267 548000	St Clean Repair & Maint Svcs	2024	12	INV	Paid	1,942.50	83560 1011	Street sweeping
DOO	STR54267 548000	St Clean Repair & Maint Svcs	2024	12	INV	Paid	4,757.00	83560 1012	Street sweeping
DOO	STR54267 548000	St Clean Repair & Maint Svcs	2024	12	INV	Paid	4,485.65	83560 1015	Street sweeping
DOO	STR54267 548000	St Clean Repair & Maint Svcs	2024	12	INV	Paid	5,087.50	83560 996	Street sweeping- period to 11/30/24
DOO	STR54267 548000	St Clean Repair & Maint Svcs	2024	12	INV	Paid	3,787.88	83560 997	Street sweeping- period to 11/30/24
DOO	STR54267 548000	St Clean Repair & Maint Svcs	2024	12	INV	Paid	4,662.00	83560 998	Street sweeping
DOO	STR54267 548000	St Clean Repair & Maint Svcs	2024	12	INV	Paid	7,381.50	83560 999	Street sweeping
Encore Media Group	PLN55870 541000	Professional Svcs - General	2024	12	INV	Paid	2,993.20	83561 3042-M	Encore Theater Ads- Snoqualmie Winter Lights
ENTENMAN	POL52122 531050	Uniforms & Protective Gear	2024	12	INV	Paid	175.75	83562 0184733-IN	Chaplain P. Hamman dome badge
Evergreen Ford	50154868 531301	Repair Parts	2024	12	INV	Paid	226.12	83563 5210771	All weather mats
First Responder	POL52110 523100	Clothing Allowance	2024	12	INV	Paid	559.20	83564 4302-3	B. Lynch- jumpsuit with patch and embroidery
First Responder	POL52110 542300	Postage & Freight	2024	12	INV	Paid	10.09	83564 8657-3	P. Mandery- pants shipping
First Responder	01452110 542300	Postage & Freight	2024	12	INV	Paid	10.08	83564 8657-3	P. Mandery- pants shipping
GRAINGER	40353190 531300	Repair & Maintenance Supplies	2024	12	INV	Paid	127.16	83565 9312523583	Gloves for tree planting
GRIMINC	STR54264 531300	Repair & Maintenance Supplies	2024	12	INV	Paid	5,408.35	83566 33451720-01	Supplies for making street signs
HANDYHEL	PLN55870 541000	Professional Svcs - General	2024	12	INV	Paid	1,893.72	83567 6317	Winter pole banner install
HD Fowler	40353130 531300	Repair & Maintenance Supplies	2024	12	CRM		-402.41	83568 C606374	Credit for orig. inv. #16615502- storm pipe rtn
HD Fowler	50154868 531301	Repair Parts	2024	12	INV	Paid	787.94	83568 16884889	G-6 Gen set city water cooling backflow repair kit
HD Fowler	50154868 542300	Postage & Freight	2024	12	INV	Paid	55.10	83568 16881741	G-6 gen set cooling wtr backflow repair kit shipping
JENKINSP	40353135 548000	Repair & Maintenance Services	2024	12	INV	Paid	4,296.84	83569 29287	Catch basin cleaning
KBM	LEG51541 541100	Outside Legal Services - Gen	2024	12	INV	Paid	1,428.00	83570 24237	Pre-defense General
KC 500-1	NON56600 544800	KC Liquor-Substance Abuse Svcs	2024	12	INV	Paid	1,067.44	83571 2159579	Q3 2024 Liquor Tax & Profits
KC 710	CLK51440 541531	Election & Voter Services	2024	12	INV	Paid	25,362.87	83572 2159596	2024 Primary Election
KC 710	CLK51440 541531	Election & Voter Services	2024	12	INV	Paid	810.81	83572 2159601	2024 Primary Election Voter Pamphlet
KI 2	FIR52220 531050	Uniforms	2024	12	INV	Paid	403.40	83573 13610	Fire Chief shirt x2 and name tag
KI 2	FIR52220 531050	Uniforms	2024	12	INV	Paid	34.64	83573 13612	Name tags x3
LAI	FIR52220 531912	EMS Supplies & Equipment	2024	12	INV	Paid	1,138.61	83574 1530538	Various EMS supplies
LAI	FIR52220 531912	EMS Supplies & Equipment	2024	12	INV	Paid	59.33	83574 1531238	Lithium battery, sharps safe, probe covers
Land Development	PLN55860 541000	Professional Svcs - General	2024	12	INV	Paid	395.00	83575 36502	Snoqualmie Middle Housing P22-132
LEVEL3	50251888 542000	Telephone Service	2024	12	INV	Paid	2,371.66	83576 716252285	Monthly telephone service
LNC5	POL52110 523100	Clothing Allowance	2024	12	INV	Paid	410.22	83577 INV889747	G. Horejsi- armor alterations, external carrier
LOLM	NON51541 541110	Public Prosecutor Services	2024	12	INV	Paid	6,150.00	83578 Nov. 2024	Snoqualmie Prosecutor- Nov. 2024
LOUDEDGE	COM55720 541060	Design Services	2024	12	INV	Paid	1,000.00	83579 COS-1201024-B	Downtown Snoqualmie Parking Map
LOUDEDGE	PLN55870 541000	Professional Svcs - General	2024	12	INV	Paid	1,420.00	83579 COS-120124-A	Plein Air/Winter Lights Design and Fire Food Drive
LOUDEDGE	01257321 541390	Advertising, Legal Notices etc	2024	12	INV	Paid	225.00	83579 COS-120124-A	Plein Air/Winter Lights Design and Fire Food Drive
Massana Construction	31175050 563002	Kimball Ck Bridges -Const	2024	12	INV	Paid	192,421.43	83580 Pay Estimate #4	Pay Estimate #4 at the base bid price- no sls tax
Minuteman Press	COM55720 549300	Printing	2024	12	INV	Paid	1,405.73	83581 94132	Dec. utility bill insert- snow routes/storm prep
MONROECC	40353145 548000	Repair & Maintenance Services	2024	12	INV	Paid	836.51	83582 MCC2411.0154	Storm pond vegetation maint. & ROW litter pickin
Natural Selection	40253555 548000	Repair & Maintenance Services	2024	12	INV	Paid	2,440.79	83583 7813	Beneficial use facil. fees for farm & application
Natural Selection	40253555 548000	Repair & Maintenance Services	2024	12	INV	Paid	3,540.64	83583 7814	Beneficial use facil. fees for farm & application
Natural Selection	40253555 548000	Repair & Maintenance Services	2024	12	INV	Paid	5,958.25	83583 7815	Beneficial use facil. fees for farm & application
NB AUTOF	50154868 531301	Repair Parts	2024	12	INV	Paid	81.72	83584 047378	Nov 24 ER&R vehicle and equipment parts
NB AUTOF	50154868 531301	Repair Parts	2024	12	INV	Paid	87.27	83584 047491	Nov 24 ER&R vehicle and equipment parts
NB AUTOF	50154868 531301	Repair Parts	2024	12	INV	Paid	42.16	83584 047711	Nov 24 ER&R vehicle and equipment parts
NB AUTOF	50154868 531301	Repair Parts	2024	12	INV	Paid	186.79	83584 047943	Nov 24 ER&R vehicle and equipment parts
NB AUTOF	50154868 531301	Repair Parts	2024	12	INV	Paid	188.02	83584 048161	Nov 24 ER&R vehicle and equipment parts
NB AUTOF	50154868 531301	Repair Parts	2024	12	INV	Paid	78.94	83584 048163	Nov 24 ER&R vehicle and equipment parts
NB AUTOF	50154868 531301	Repair Parts	2024	12	INV	Paid	80.56	83584 048273	Nov 24 ER&R vehicle and equipment parts
NB AUTOF	50154868 531301	Repair Parts	2024	12	INV	Paid	487.91	83584 048298	Nov 24 ER&R vehicle and equipment parts
NB AUTOF	50154868 531301	Repair Parts	2024	12	INV	Paid	214.93	83584 048429	Nov 24 ER&R vehicle and equipment parts
NB AUTOF	50154868 531301	Repair Parts	2024	12	INV	Paid	1,061.83	83584 048740	Nov 24 ER&R vehicle and equipment parts
NB AUTOF	50154868 531301	Repair Parts	2024	12	INV	Paid	61.05	83584 048741	Nov 24 ER&R vehicle and equipment parts
NB AUTOF	50154868 531301	Repair Parts	2024	12	INV	Paid	543.32	83584 048742	Nov 24 ER&R vehicle and equipment parts
NB AUTOF	50154868 531301	Repair Parts	2024	12	INV	Paid	176.84	83584 048878	Nov 24 ER&R vehicle and equipment parts
NB AUTOF	50154868 531301	Repair Parts	2024	12	INV	Paid	218.82	83584 049055	Nov 24 ER&R vehicle and equipment parts
NB AUTOF	50154868 531301	Repair Parts	2024	12	INV	Paid	409.34	83584 049140	Nov 24 ER&R vehicle and equipment parts
NB AUTOF	50154868 531301	Repair Parts	2024	12	INV	Paid	147.96	83584 049644	Nov 24 ER&R vehicle and equipment parts
NB AUTOF	50154868 531301	Repair Parts	2024	12	INV	Paid	104.34	83584 049655	Nov 24 ER&R vehicle and equipment parts

NB AUTOF	50154868 531301	Repair Parts	2024	12	INV	Paid	402.78	83584 049731	Nov 24 ER&R vehicle and equipment parts
NB AUTOG	NON36991 369910	Miscellaneous Revenues	2024	12	CRM	Paid	-9.79	83585 205663	CM for inv. #011770 (paid twice)
NB AUTOG	40153481 531300	Repair & Maintenance Supplies	2024	12	INV	Paid	75.98	83585 049311	4 piece pry bar set
NB AUTOG	40153481 531300	Repair & Maintenance Supplies	2024	12	INV	Paid	565.25	83585 049397	oil for pumps
NFE	40353190 548156	Emergency Tree Removal	2024	12	INV	Paid	30,779.84	83586 11-27-24	Rmv trees from private prop. & ROW after windst
NFE	40353190 548156	Emergency Tree Removal	2024	12	INV	Paid	7,527.90	83586 12-5-24	Remove stumps in ROW after 11/19/24 windstorn
Occ Health Cntr WA	FIR52220 541000	Professional Svcs - General	2024	12	INV	Paid	272.00	83587 83409931	FF Physical Christopher Brown
Occ Health Cntr WA	FIR52220 541000	Professional Svcs - General	2024	12	INV	Paid	2,790.00	83587 85093057	Hew hire Firefighter Duddles, Luther, services
OGDENMW	LEG51541 541102	Downtown Phase 2A Legal Fees	2024	12	INV	Paid	3,804.00	83588 899581	C.A. Carey Appeal
OTAK	31175050 541064	Kimball Ck Bridges - Const Mgmt	2024	12	INV	Paid	26,518.16	83589 000112400416	Construction Phase Services- Nov. 8, 2024
PREMIERM	EVE57390 541390	Advertising, Legal Notices etc	2024	12	INV	Paid	1,495.00	83590 3429-R	425 Winter Lights month long e-news
PRIDEELE	PKF57680 548000	Repair & Maintenance Services	2024	12	INV	Paid	2,123.41	83591 436705	Restroom Auto Lock Service
PRIDEELE	51051821 548000	Repair & Maintenance Services	2024	12	INV	Paid	5,828.12	83591 436741	Install 2 power bxs/wire outlets to 120v- CH
PSRFA	50154868 548000	Repair & Maintenance Services	2024	12	INV	Paid	5,989.19	83592 11556	Maint. contract for 2 Fire trucks and 2 Aid units
PSTEST	POL52110 541000	Professional Svcs - General	2024	12	INV	Paid	3,470.00	83593 PST124-375	Background Investigations for J. Hall
ROBERT HALF	FIN51423 541190	Temporary Agency Personnel	2024	12	INV	Paid	2,016.00	83594 64377229	S. Wong- Payroll Specialist support- Retro & other
ROBERT HALF	PLN55860 541190	Temporary Agency Personnel	2024	12	INV	Paid	1,015.00	83594 64362033	A. Jain CD Support
RODARTE	31175100 563000	384th Sidewalk Construction	2024	12	INV	Paid	351,885.05	83595 Pay Estimate #5	For 384th Sewer/Sidewalk Construction Inv. 5
RODARTE	41750935 563000	384th St - Const	2024	12	INV	Paid	439,281.32	83595 Pay Estimate #5	For 384th Sewer/Sidewalk Construction Inv. 5
SAFEBUILT	00150020 541000	Professional Svcs - General	2024	12	INV	Paid	1,494.50	83596 973428	Inspection services for November 2024
SEATIMES	PLN55860 541390	Advertising, Legal Notices etc	2024	12	INV	Paid	295.00	83597 88866	Retail District Overlay Code & SR Amendmts
Seattle's Child	EVE57390 541390	Advertising, Legal Notices etc	2024	12	INV	Paid	900.00	83598 2024ci-3468	Digital Ads- Snoqualmie Winter Lights
Sunbelt Rentals	STR54230 545200	Rent - Furniture & Equipment	2024	12	INV	Paid	3,034.07	83599 161963281-0002	Manlift rental
SV School Dist	01452122 532100	Gasoline/Diesel Fuel	2024	12	INV	Paid	3,944.41	83600 8312	Fleet and NB Police Fuel
SV School Dist	50154868 532100	Gasoline/Diesel Fuel	2024	12	INV	Paid	7,178.28	83600 8312	Fleet and NB Police Fuel
TJE	40353190 548156	Emergency Tree Removal	2024	12	INV	Paid	2,291.10	83601 04675-1	Hazard tree removal/mitigation
TJE	40353190 548156	Emergency Tree Removal	2024	12	INV	Paid	7,107.87	83601 04716-1	4 hazard tree removals/mitigation
TODDSTOW	01452122 541000	Professional Svcs - General	2024	12	INV	Paid	515.50	83602 47922	24N-3577- 2019 Chev Express van- evid. impound
Trever Waltos	EVE57390 541000	Professional Svcs - General	2024	12	INV	Paid	450.00	83603 120724	Santa Tree Lighting
ULI	POL52122 522400	LEOFF I Retiree Med & Premiums	2024	12	INV	Paid	70.50	83604 24-Dec	Group Insurance premium
ULINE	40353190 531300	Repair & Maintenance Supplies	2024	12	INV	Paid	561.42	83605 185447119	White marking paint for tree locates & work glove
URNW	40153481 545100	Rent - Shop Equipment	2024	12	INV	Paid	1,145.55	83606 235589951-006	Monthly Ford Maverick rental
US Postmaster	NON51890 542300	Postage & Freight	2024	12	INV	Paid	410.00	83607 PO Box 987 Fee 2025	PO Box 987 Annual Fee for
UULC	40253510 541000	Professional Svcs - General	2024	12	INV	Paid	90.80	83608 4100230	Notification via 811 for emergency locates
VERIZ 3	50251888 542010	Cellular Telephone	2024	12	INV	Paid	2,089.17	83609 9978930927	PD Cell phones- Oct 17- Nov 16 2024
VERIZ NJ	01452122 541000	Professional Svcs - General	2024	12	INV	Paid	230.00	83610 9022379292	Cell phone tower/area search ref 24N-3730
VERIZCS	40253510 542010	Cellular Telephone	2024	12	INV	Paid	1,509.14	83611 9977020632	SCADA m2m communications current Nov. 2024
VERIZCS	40253510 542010	Cellular Telephone	2024	12	INV	Paid	1,509.16	83611 9979451845	Machine to machine communications
VFG	LEG51541 541100	Outside Legal Services - Gen	2024	12	INV	Paid	142.50	83612 448433	Legal Svcs through Oct 31, 2024-Girard site lease
VISIONQ	51051821 548000	Repair & Maintenance Services	2024	12	INV	Paid	775.00	83613 001736	Window and louver cleaning- City Hall & PD
VISIONQ	51051821 548000	Repair & Maintenance Services	2024	12	INV	Paid	275.00	83613 001737	Window and louver cleaning- City Hall & PD
Water Mgmt Labs	40153481 541000	Professional Svcs - General	2024	12	INV	Paid	390.00	83614 224863	November 2024 bact samples
Water Mgmt Labs	40153481 541000	Professional Svcs - General	2024	12	INV	Paid	30.00	83614 225035	November 2024 arsenic sample
WCFR	FIR52250 535900	Small Tools & Equipment	2024	12	INV	Paid	45,658.35	83615 82948-350	Spreader, cutter and ram package/shipping chgs
WLACE	PKF57680 531300	Repair & Maintenance Supplies	2024	12	INV	Paid	71.98	83616 15313712	Restroom cable lock
WLACE	STR54230 531300	Repair & Maintenance Supplies	2024	12	INV	Paid	71.94	83616 15313625	Parking spot striping paint
WLACE	STR54230 531300	Repair & Maintenance Supplies	2024	12	INV	Paid	35.99	83616 15313700	Access road gate lock and cable
WLACE	STR54230 531300	Repair & Maintenance Supplies	2024	12	INV	Paid	134.16	83616 15313778	Extra trash cans
WLACE	40153481 531300	Repair & Maintenance Supplies	2024	12	INV	Paid	635.91	83616 15313133	Supplies for work truck
WLACE	40153481 531300	Repair & Maintenance Supplies	2024	12	INV	Paid	29.42	83616 15313665	mixed fuel
WLACE	40153481 531300	Repair & Maintenance Supplies	2024	12	INV	Paid	58.89	83616 15313783	2 garden hoses
WLACE	40353130 531300	Repair & Maintenance Supplies	2024	12	INV	Paid	50.12	83616 15313633	Supplies for equipment and facility repair & maint
WLACE	40353190 531300	Repair & Maintenance Supplies	2024	12	INV	Paid	34.90	83616 15313606	4 CYL Fuel for water trailer
WLACE	51051821 531300	Repair & Maintenance Supplies	2024	12	INV	Paid	153.78	83616 15313112	Police station back parking lot supplies
WLACE	51051821 531300	Repair & Maintenance Supplies	2024	12	INV	Paid	130.90	83616 15313785	PW lighting project
WWCPA	40253510 523300	Reimb - Dues, Licenses & Cert	2024	12	INV	Paid	125.00	83617 2025 WWCPA	J George, T Holmes, R Dalziel, L Beach, M Miller

City of Snoqualmie
 Claims presented to the City to be paid in the amount of 1,686,143.51

For claims warrants numbered 83618 through 83698 & dated 1/6/2025

#133

Aliza Davids	FIR52220 541000	Professional Svcs - General	2024	12	INV	Paid	39.67	83618 RE A Davids 9/24	Reimb. A. Davids VFF pants hemmed
Alpine Coachworks	50154868 548000	Repair & Maintenance Services	2024	12	INV	Paid	5,463.25	83619 12392	#104 police suv accident repair 10/10/24 vs. deer
AM TEST	40253585 541000	Professional Svcs - General	2024	12	INV	Paid	1,610.00	83620 A24G2936	3rd party lab
AMZONCAP	FIR52210 531000	Office Supplies	2024	12	INV	Paid	9.26	83621 14HV-6Q7X-6W3V	Clear sheet protectors
AMZONCAP	FIR52220 531910	Operating Supplies	2024	12	INV	Paid	45.81	83621 11LK-WCH7-JGX7	Paper towels
AMZONCAP	FIR52220 531910	Operating Supplies	2024	12	INV	Paid	170.71	83621 1FWR-9DCC-J43M	block chargers, paper towels
AMZONCAP	FIR52220 531910	Operating Supplies	2024	12	INV	Paid	84.24	83621 1GQL-G7WL-L3VK	Lysol wipes, dawn soap
AMZONCAP	FIR52220 531910	Operating Supplies	2024	12	INV	Paid	10.90	83621 1P79-FV9R-LIDY	USB C Cable for office phone
AMZONCAP	LEG51531 531000	Office Supplies	2024	12	INV	Paid	7.64	83621 1Y77-49HW-LR39	Pens for Dena B.
BERGER	31126060 541076	Riverwalk Phase I - Design	2024	12	INV	Paid	8,415.00	83622 0000036893	Riverwalk NW of Sandy Cove Design
Bruce Dees & Assoc	31126080 541098	All-Incl Playgrnd - Design	2024	12	INV	Paid	2,040.00	83623 6761	Centennial Fields design services
Bruce Dees & Assoc	31126080 541098	All-Incl Playgrnd - Design	2024	12	INV	Paid	170.00	83623 6792	Centennial Fields design services
BYTE	50259418 564100	IT Shared System Hardware	2024	12	INV	Paid	3,218.45	83624 INV0175570	GIS Workstation replacement for Brendon Ecker
CENTURYLINK	50251888 542000	Telephone Service	2024	12	INV	Paid	719.88	83625 300568001 12/24	Monthly Telephone Service
Chinook Lumber	40153481 531300	Repair & Maintenance Supplies	2024	12	INV	Paid	137.48	83626 2074303	Supplies for concrete project at NWTP
City Wide	51240010 548200	Custodial & Cleaning Services	2024	12	INV	Paid	4,853.01	83627 STI015000148	For Custodial Services for Month
City Wide	51240010 548200	Custodial & Cleaning Services	2024	12	INV	Paid	4,853.01	83627 STI015000151	For Custodial Services for December
CORPPAY	COM55720 543000	Training & Travel	2024	12	INV	Paid	795.00	83628 12/24 DM	City Credit Card D. McCall
CORPPAY	COM55720 549200	Dues-Subscriptions-Memberships	2024	12	INV	Paid	91.63	83628 12/24 DM	City Credit Card D. McCall
CORPPAY	50154868 531301	Repair Parts	2024	12	INV	Paid	224.70	83628 12/24 DH	City Credit Card D. Harris
CPSE	FIR52220 541000	Professional Svcs - General	2024	12	INV	Paid	3,060.00	83629 05-19525	CPSE Community Driven Strategic Planning for 20
CTV	50251888 531300	Repair & Maintenance Supplies	2024	12	INV	Paid	2.48	83630 B360535	Nuts and Screws
CTV	50251888 531300	Repair & Maintenance Supplies	2024	12	INV	Paid	21.26	83630 B386189	16-Pack AA Batteries
DJC	PLN55860 541390	Advertising, Legal Notices etc	2024	12	INV	Paid	156.60	83631 3405192	Request qualification Parcel 2524079033 (Afford)
ESA	PLN55860 541080	Environmental Services	2024	12	INV	Paid	3,002.50	83632 202529	Snoqualmie River Trail TO 39
ESA	PLN55860 541080	Environmental Services	2024	12	INV	Paid	1,356.00	83632 202530	Sandy Cove Park Bank TO19
FCS Bowman	PLN55860 541000	Professional Svcs - General	2024	12	INV	Paid	1,232.50	83633 3743-22411116	Capital Facilities Funding Plan(2023)
FCS Bowman	40153410 541095	Utility Rate Study	2024	12	INV	Paid	1,602.00	83633 3918-22409054	Utility Rate Study
FCS Bowman	40153410 541095	Utility Rate Study	2024	12	INV	Paid	3,339.50	83633 3918-22410067	Utility Rate Study
FCS Bowman	40153410 541095	Utility Rate Study	2024	12	INV	Paid	3,129.50	83633 3918-22411053	Utility Rate Study
FCS Bowman	40253510 541095	Utility Rate Study	2024	12	INV	Paid	1,602.00	83633 3918-22409054	Utility Rate Study
FCS Bowman	40253510 541095	Utility Rate Study	2024	12	INV	Paid	3,339.50	83633 3918-22410067	Utility Rate Study
FCS Bowman	40253510 541095	Utility Rate Study	2024	12	INV	Paid	3,129.50	83633 3918-22411053	Utility Rate Study
FCS Bowman	40353110 541095	Utility Rate Study	2024	12	INV	Paid	801.00	83633 3918-22409054	Utility Rate Study
FCS Bowman	40353110 541095	Utility Rate Study	2024	12	INV	Paid	1,669.75	83633 3918-22410067	Utility Rate Study
FCS Bowman	40353110 541095	Utility Rate Study	2024	12	INV	Paid	1,564.75	83633 3918-22411053	Utility Rate Study
FIDELIS	50251888 541000	Professional Svcs - General	2024	12	INV	Paid	8,100.68	83634 62360	Svcs for Network Migration
GALLSLLC	FIR52220 531050	Uniforms	2024	12	INV	Paid	23.55	83635 029629206	Embroiderable Blank Rectangle for Byrd
GRAINGER	50154868 531301	Repair Parts	2024	12	INV	Paid	1,113.53	83636 9329854740	Gen set city water cooling solenoid valve
HD Fowler	40153481 531300	Repair & Maintenance Supplies	2024	12	INV	Paid	6,384.02	83637 16899305	Water meter boxes for 384th
HD Supply Facil Main	51051821 531300	Repair & Maintenance Supplies	2024	12	INV	Paid	219.06	83638 9231963419	replacement kitchen garbage disposal
HD Supply Facil Main	51051821 531300	Repair & Maintenance Supplies	2024	12	INV	Paid	306.09	83638 9231963420	Go-jo hand washing refill soap bags
HD Supply Facil Main	51051821 531300	Repair & Maintenance Supplies	2024	12	INV	Paid	207.77	83638 9231981602	Facility Parts and Supplies
Ivoxy Consulting Inc	50251881 548860	Hardware-Software Maintenance	2024	12	INV	Paid	14,244.10	83639 TYLW31383	Palo Alto Advanced URL Filtering Subscription
Ivoxy Consulting Inc	50251888 541000	Professional Svcs - General	2024	12	INV	Paid	3,273.00	83639 TYLW31375	Wireless Deployment
Ivoxy Consulting Inc	50259418 564103	Firewall Replacement	2024	12	INV	Paid	12,001.00	83639 TYLW31374	Firewall Refresh
Ivoxy Consulting Inc	50259418 564104	Core Switch Replacement	2024	12	INV	Paid	106,481.60	83639 TYLW31376	Network Refresh
Ivoxy Consulting Inc	50259418 564104	Core Switch Replacement	2024	12	INV	Paid	69,480.03	83639 ZDJJ9311	Juniper Server Switches
JB Tree Svc	40353190 531300	Repair & Maintenance Supplies	2024	12	INV	Paid	2,120.90	83640 12/05/24	Arborist chips restoration sites from windstorm
JENKINSP	40253565 548000	Repair & Maintenance Services	2024	12	INV	Paid	3,139.00	83641 29150	Clean 4 sewer pump wet wells
K&L Gates	LEG51541 541100	Outside Legal Services - Gen	2024	12	INV	Paid	802.30	83642 100113213	Legal Advice - Snoqualmie Tribe Agreements
KC Facilities	40253580 549900	Miscellaneous Services	2024	12	INV	Paid	200.00	83643 241201_2_1P083	Permit from county for ROW work
KCFIRE45	FIR52220 541190	Temp Personnel - Shared Staff	2024	12	INV	Paid	2,164.53	83644 397	Shared Staffing Matthew Mundy
KEEPPOST	EVE57390 541390	Advertising, Legal Notices etc	2024	12	INV	Paid	437.50	83645 1895	Advertising - 2024 Winter Lights
KI 2	FIR52220 531050	Uniforms	2024	12	INV	Paid	61.80	83646 14444	Velcro name tag
KI 2	FIR52220 531050	Uniforms	2024	12	INV	Paid	177.61	83646 14881	Class B T-shirt
Kimley-Horn	PKF57680 541000	Professional Svcs - General	2024	12	INV	Paid	8,095.00	83647 29554608	Parks, Recreation and Open Space Plan
Kissler	40253555 548000	Repair & Maintenance Services	2024	12	INV	Paid	2,220.04	83648 11451	Haul biosolids

Kissler	40253555 548000	Repair & Maintenance Services	2024	12	INV	Paid	2,226.30	83648 11472	Haul biosolids
Krazan & Associates	31175050 541064	Kimball Ck Bridges -Const Mgmt	2024	12	INV	Paid	2,102.00	83649 INV 1624839-32441	Construction testing & inspection services
LNCs	FIR52220 531051	Personal Protective Equipment	2024	12	INV	Paid	5,135.18	83650 PINV956056	Globe extreme Jacket, boots, gloves, hood
LNCs	FIR52250 535900	Small Tools & Equipment	2024	12	INV	Paid	12,356.93	83650 INV891937	Rescue equipment - for new engine
LNCs	FIR52250 535900	Small Tools & Equipment	2024	12	INV	Paid	2,000.29	83650 INV892312	Lock fall Arrester, Asap Sober/Lock, Headlamp
LNCs	FIR52250 535900	Small Tools & Equipment	2024	12	INV	Paid	778.83	83650 INV892941	life save harness, rescue staff bag, Rescue Prusik
MA	PLN55861 541040	Engineering Services	2024	12	INV	Paid	3,759.60	83651 181012	Snoq Val Com Health Center Parcel S21-TO15
MACDMILL	51051821 548000	Repair & Maintenance Services	2024	12	INV	Paid	664.90	83652 SVC302342	HVAC Service Repair Fire station fan motor bearing
MACDMILL	51051821 548000	Repair & Maintenance Services	2024	12	INV	Paid	664.90	83652 SVC304683	HVAC Service Repair bearing loose city hall A/C
MACDMILL	51051821 548000	Repair & Maintenance Services	2024	12	INV	Paid	697.60	83652 SVC304865	HVAC Service Repair leaking floor coupling
MACDMILL	51051821 548000	Repair & Maintenance Services	2024	12	INV	Paid	697.60	83652 SVC304867	HVAC Service Repair leaking floor coupling
MACDMILL	51051821 548000	Repair & Maintenance Services	2024	12	INV	Paid	3,018.57	83652 SVC304889	HVAC Service Repair fire station fan motor replac
MACDMILL	51051821 548000	Repair & Maintenance Services	2024	12	INV	Paid	2,721.50	83652 SVC305103	HVAC Service Repair fire station A/C chiller flow
MACDMILL	51051821 548000	Repair & Maintenance Services	2024	12	INV	Paid	1,193.28	83652 SVC305109	HVAC Service Repair pw air handler pm maintena
MACDMILL	51051821 548000	Repair & Maintenance Services	2024	12	INV	Paid	900.08	83652 SVC305982	HVAC Service Repair parks building A/C mini split
MACDMILL	51051821 548000	Repair & Maintenance Services	2024	12	INV	Paid	2,128.70	83652 SVC305984	HVAC Service Repair copper pipe fitting leak fire
MACDMILL	51051821 548000	Repair & Maintenance Services	2024	12	INV	Paid	6,291.14	83652 SVC309640	HVAC Service Repair parks building A/C TXV/Drye
MACDMILL	51051821 548000	Repair & Maintenance Services	2024	12	INV	Paid	1,218.39	83652 SVC311560	HVAC Service Repair parks building A/C mini split
MACDMILL	51051821 548000	Repair & Maintenance Services	2024	12	INV	Paid	3,029.30	83652 SVC311673	HVAC Service Repair Fire st AC chiller controller
MACDMILL	51051821 548000	Repair & Maintenance Services	2024	12	INV	Paid	3,661.37	83652 SVC316554	HVAC Service and Repair police station AC
MACDMILL	51051821 548000	Repair & Maintenance Services	2024	12	INV	Paid	1,017.36	83652 SVC320396	HVAC Service and Repair No Heat PD
MADRONA	LEG51541 541100	Outside Legal Services - Gen	2024	12	INV	Paid	24,698.50	83653 12850	Interim City Attorney- Various matters
Massana Construction	31175050 563002	Kimball Ck Bridges -Const	2024	12	INV	Paid	4,300.00	83654 Pay Estimate #5	Pay Est 5 at the base bid price- no sales tax incl
Masters Telecom	50251881 531820	Info Tech Components	2024	12	INV	Paid	164.00	83655 43213	FD- Fanvil Paging Equipment
Miller's Equip & Ren	EVE57390 545000	Operating Rentals & Leases	2024	12	INV	Paid	3,640.94	83656 412474	Snoqualmie Winter Lights Rental Equipment
Minuteman Press	EVE57390 549300	Printing	2024	12	INV	Paid	413.10	83657 94182	Visit Snoqualmie Stickers
Minuteman Press	40153481 531000	Office Supplies	2024	12	INV	Paid	242.87	83657 94131	Nov. 2024 UB Billing Printing/Folding, Envelopes
Minuteman Press	40153481 549300	Printing	2024	12	INV	Paid	284.81	83657 94131	Nov. 2024 UB Billing Printing/Folding, Envelopes
Minuteman Press	40253580 531000	Office Supplies	2024	12	INV	Paid	242.87	83657 94131	Nov. 2024 UB Billing Printing/Folding, Envelopes
Minuteman Press	40253580 549300	Printing	2024	12	INV	Paid	284.81	83657 94131	Nov. 2024 UB Billing Printing/Folding, Envelopes
Minuteman Press	40353130 531000	Office Supplies	2024	12	INV	Paid	242.87	83657 94131	Nov. 2024 UB Billing Printing/Folding, Envelopes
Minuteman Press	40353130 549300	Printing	2024	12	INV	Paid	284.81	83657 94131	Nov. 2024 UB Billing Printing/Folding, Envelopes
NB CHEVY	50154868 531301	Repair Parts	2024	12	INV	Paid	397.26	83658 14371	Replacement wiper panel and bolts #106 PD
NB CHEVY	50154868 531400	Tires	2024	12	INV	Paid	1,420.36	83658 14361	Replacement pickup tires
NHC	PLN55860 541040	Engineering Services	2024	12	INV	Paid	1,320.00	83659 32269	Sandy Cove CG2024-0001 Task 58
NHC	PLN55860 541040	Engineering Services	2024	12	INV	Paid	1,395.00	83659 32270	Reclaimed Water Facility Phase 3 CG2023-0001
NHC	PLN55861 541040	Engineering Services	2024	12	INV	Paid	620.00	83659 32203	Snoq Drainage Rev SVHC Health Center PAR2024-
NHC	PLN55861 541040	Engineering Services	2024	12	INV	Paid	387.50	83659 32268	Snoq Drainage Rev SVHC Health Center PAR2024-
NHC	PLN55861 541040	Engineering Services	2024	12	INV	Paid	892.50	83659 32271	Reclaimed Water Facility Phase 3 CG2023-0001
NHC	41769431 541060	Sandy Cove Bank Stabi - Design	2024	12	INV	Paid	28,212.14	83659 32092	Sandy Cove Bank Restor.-Phase 1 Design/Enginee
NHC	41769431 541060	Sandy Cove Bank Stabi - Design	2024	12	INV	Paid	11,836.53	83659 32222	Sandy Cove Bank Restor.-Phase 1 Design/Enginee
NHC	41769431 541060	Sandy Cove Bank Stabi - Design	2024	12	INV	Paid	7,560.00	83659 32263	Sandy Cove Bank Restor.-Phase 1 Design/Enginee
NORTONLL	HUM51810 549200	Dues-Subscriptions-Memberships	2024	12	INV	Paid	129.80	83660 10010532665	Norton LifeLock coverage for 13 employees
NTNET	FIR52220 541000	Professional Svcs - General	2024	12	INV	Paid	2,708.75	83661 17126	Background Investigation on new FF candidates
Occ Health Cntr WA	FIR52220 541000	Professional Svcs - General	2024	12	INV	Paid	1,296.00	83662 85167402	New hire Firefighter Scott Loehndorf Services
Ofc Depot 32559	40253510 531910	Operating Supplies	2024	12	INV	Paid	150.64	83663 394181892001	kitchen supplies, paper, coffee
Ofc Depot 32559	40253510 531910	Operating Supplies	2024	12	INV	Paid	56.82	83663 394185999001	kitchen supplies
OGDENMW	LEG51541 541102	Downtown Phase 2A Legal Fees	2024	12	INV	Paid	931.00	83664 901013	C.A. Carey Appeal
OTAK	PLN55860 541080	Environmental Services	2024	12	INV	Paid	1,417.50	83665 000112400141	Critical areas review for SR Parcel S21
OTAK	PLN55860 541080	Environmental Services	2024	12	INV	Paid	4,574.50	83665 000112400185	Bas review and Comp Plan support
OTAK	PLN55860 541080	Environmental Services	2024	12	INV	Paid	11,971.75	83665 000112400484	Climate Resilience Planning
OTAK	31175010 541060	Design Services	2024	12	INV	Paid	2,229.36	83665 000092400158	Towncenter Phase 3
OTAK	31175010 541060	Design Services	2024	12	INV	Paid	826.57	83665 000102400258	Towncenter Phase 3
OTAK	31175010 541060	Design Services	2024	12	INV	Paid	2,364.28	83665 000112400171	Towncenter Phase 3
OTAK	31175010 541060	Design Services	2024	12	INV	Paid	633.71	83665 000122400137	Towncenter Phase 3
OTAK	31175050 541064	Kimball Ck Bridges -Const Mgmt	2024	12	INV	Paid	13,460.25	83665 000122400147	Construction Phase Svcs Ending Dec 6, 2024
OWEN	50159448 564000	Fleet Vehicles & Equipment	2024	12	INV	Paid	338,192.00	83666 00117430	23-24 Approved Replacement Sweeper
PACIFICA	PLN55860 541100	Outside Legal Services - Gen	2024	12	INV	Paid	3,371.00	83667 94218	Ladder properties code enforcement
PACPLANT	40353190 531300	Repair & Maintenance Supplies	2024	12	INV	Paid	985.17	83668 101619	Tree perennial plant order for Green Snoq Day

PACS	EVE57390 541000	Professional Svcs - General	2024	12	INV	Paid	1,200.00	83669 6554	Sound stage system and support
PBBIPP	NON51890 542300	Postage & Freight	2024	12	INV	Paid	2,103.00	83670 PP 12/24	Purchase Power credit line
Perteet Eng	PLN55860 541040	Engineering Services	2024	12	INV	Paid	937.50	83671 00023042.0014-1	CG2024-0002 Snoqualmie River Trail
Perteet Eng	PLN55861 541040	Engineering Services	2024	12	INV	Paid	2,434.87	83671 00022222.0000-230	Snoqualmie Ridge 11-SR11, Parcel S22
Perteet Eng	PLN55861 541040	Engineering Services	2024	12	INV	Paid	12,456.15	83671 00023042.0000-247	Ridgepointe at Parcel S14
Phil Bennett	40353190 543000	Training & Travel	2024	12	INV	Paid	490.00	83672 RE P Bennett 12/24	Reimb. P, Bennett PNW-ISA Annual Conference re
PLATT	40153481 531300	Repair & Maintenance Supplies	2024	12	INV	Paid	209.58	83673 8Z29116	Supplies for canyon springs prv upgrade
PROSPECT	41759436 563000	WRF Improve Construction	2024	12	INV	Paid	604,843.98	83674 Pay Estimate #15	Construction thru 12/1/2024 B1 Structural mecha
PSCACA	40253510 548270	License & Permit Fees	2024	12	INV	Paid	1,418.00	83675 20250428	Clean air permit 2025
PSE	FIR52250 547100	Electricity	2024	12	INV	Paid	2,641.89	83676 257959 12/24	Current Charges - Act # 200011257959 PSE Bill
PSE	PKF57680 547100	Electricity	2024	12	INV	Paid	2,430.82	83676 007355 12/24	Electricity
PSE	STR54263 547100	Electricity	2024	12	INV	Paid	177.14	83676 001499 12/24	Electricity
PSE	STR54263 547100	Electricity	2024	12	INV	Paid	49.80	83676 001499 12/24 #2	Electricity
PSE	STR54263 547100	Electricity	2024	12	INV	Paid	7,494.06	83676 001499 12/24 #3	Electricity
PSE	STR54263 547100	Electricity	2024	12	INV	Paid	25.45	83676 431306 12/24	Electricity
PSE	STR54263 547100	Electricity	2024	12	INV	Paid	12.02	83676 456550 12/24	Electricity
PSE	STR54263 547100	Electricity	2024	12	INV	Paid	35.24	83676 577403 12/24	Electricity
PSE	STR54263 547100	Electricity	2024	12	INV	Paid	45.62	83676 577445 12/24	Electricity
PSE	STR54263 547100	Electricity	2024	12	INV	Paid	175.84	83676 617464 12/24	Electricity
PSE	STR54263 547100	Electricity	2024	12	INV	Paid	1,324.11	83676 639966 12/24	Electricity
PSE	STR54263 547100	Electricity	2024	12	INV	Paid	39.28	83676 742043 12/24	Electricity
PSE	STR54263 547100	Electricity	2024	12	INV	Paid	79.97	83676 780111 12/24	Electricity
PSE	STR54263 547100	Electricity	2024	12	INV	Paid	18.27	83676 780137 12/24	Electricity
PSE	STR54263 547100	Electricity	2024	12	INV	Paid	27.32	83676 943807 12/24	Electricity
PSE	40153481 547100	Electricity	2024	12	INV	Paid	8,983.90	83676 004220 12/24	Electricity
PSE	40153481 547100	Electricity	2024	12	INV	Paid	54.22	83676 037989 12/24	Electricity
PSE	40153482 547100	Electricity	2024	12	INV	Paid	4,682.83	83676 004220 12/24	Electricity
PSE	40153935 547100	Electricity	2024	12	INV	Paid	12.02	83676 103385 12/24	Electricity
PSE	40153935 547100	Electricity	2024	12	INV	Paid	4,508.42	83676 436232 12/24	Electricity
PSE	40153935 547100	Electricity	2024	12	INV	Paid	13.02	83676 794782 12/24	Electricity
PSE	40253565 547100	Electricity	2024	12	INV	Paid	40.08	83676 007124 12/24	Electricity
PSE	40253565 547100	Electricity	2024	12	INV	Paid	10,851.79	83676 010656 12/24	Electricity
PSE	40253565 547100	Electricity	2024	12	INV	Paid	146.34	83676 241392 12/24	Electricity
PSE	40253565 547100	Electricity	2024	12	INV	Paid	365.39	83676 241418 12/24	Electricity
PSE	40253580 547100	Electricity	2024	12	INV	Paid	2,839.78	83676 010474 12/24	Electricity
PSE	40253580 547100	Electricity	2024	12	INV	Paid	21,631.10	83676 010656 12/24	Electricity
PSE	51051821 547100	Electricity	2024	12	INV	Paid	111.30	83676 005615 12/24	Electricity
PSE	51051821 547100	Electricity	2024	12	INV	Paid	634.49	83676 010474 12/24	Electricity
PSE	51051821 547100	Electricity	2024	12	INV	Paid	541.04	83676 133972 12/24	Electricity
PSE	51051821 547100	Electricity	2024	12	INV	Paid	169.11	83676 198066 12/24	Electricity
PSE	51051821 547100	Electricity	2024	12	INV	Paid	31.75	83676 198082 12/24	Electricity
PSE	51051821 547100	Electricity	2024	12	INV	Paid	11.71	83676 400820 12/24	Electricity
PSE	51051821 547100	Electricity	2024	12	INV	Paid	126.98	83676 549936 12/24	Electricity
PSRFA	50154868 548000	Repair & Maintenance Services	2024	12	INV	Paid	138.71	83677 11441	Fire Apparatus Repair and Service
PSRFA	50154868 548000	Repair & Maintenance Services	2024	12	INV	Paid	9,032.07	83677 11459	Fire Apparatus Repair Service #602 Crimson Fire t
PSRFA	50154868 548000	Repair & Maintenance Services	2024	12	INV	Paid	1,525.41	83677 11584	Fire Apparatus Repair and Service #602 fire truck
Pure Water Partners	POL52150 545000	Operating Rentals & Leases	2024	12	INV	Paid	507.32	83678 1906908	Water/ice purifier & dispenser rental
RH2	40253510 541050	Engineering Services	2024	12	INV	Paid	5,754.09	83679 98846	Operational support
ROBERT HALF	FIN51423 541190	Temporary Agency Personnel	2024	12	INV	Paid	672.00	83680 64431393	S. Wong Payroll Specialist Support Retro Pay & OT
ROBERT HALF	PLN55860 541190	Temporary Agency Personnel	2024	12	INV	Paid	1,015.00	83680 64378055	A. Jain CD Support
ROBERT HALF	PLN55860 541190	Temporary Agency Personnel	2024	12	INV	Paid	1,015.00	83680 64397538	A. Jain CD Support
ROBERT HALF	PLN55860 541190	Temporary Agency Personnel	2024	12	INV	Paid	1,015.00	83680 64424837	A. Jain CD Support
SEATIMES	PLN55860 541390	Advertising, Legal Notices etc	2024	12	INV	Paid	112.50	83681 89509	RFQ for Parcel #2524079033 (Affordable Housing)
SEATTLE TIMES	CLK51420 541320	Legal Notices	2024	12	INV	Paid	55.00	83682 89713	Ordinance 1300
SEATTLE TIMES	CLK51420 541320	Legal Notices	2024	12	INV	Paid	52.50	83682 89715	Ordinance 1302
SETINA	50154868 531301	Repair Parts	2024	12	INV	Paid	3,187.90	83683 298856	Replace front push bumper assemblies Police SUV
Siren Net	50154868 531301	Repair Parts	2024	12	INV	Paid	2,221.07	83684 0280089	Replacement front lamp/ligthead PD SUV's
Sound Cities Assn	NON51890 549253	Sound Cities Assn Dues	2024	12	INV	Paid	11,328.49	83685 5027	2025 Sound Cities Association (SCA) Dues
ST AUDITOR	FIN51423 541091	State Auditor Services	2024	12	INV	Paid	9,660.50	83686 1164865	FY2022-2023 Audit Services- November 2024

SUMMIT LAW	HUM51810 541120	Legal Consulting Svcs - HR	2024	12	INV	Paid	246.00	83687 159707	Legal Services Re: Mediation and SPA
Sunbelt Rentals	EVE57390 545000	Operating Rentals & Leases	2024	12	INV	Paid	68.14	83688 162970486-0001	Generator rental - tree lighting event
SV CHAMBER COMM	11055735 541000	Professional Svcs - General	2024	12	INV	Paid	10,000.00	83689 2317	SnoValley Chamber of Commerce LTAC WA Co-Op
SV CHAMBER COMM	11055735 541000	Professional Svcs - General	2024	12	INV	Paid	9,500.00	83689 2318	SnoValley Chamber of Commerce LTAC APP
SV CHAMBER COMM	11055735 541000	Professional Svcs - General	2024	12	INV	Paid	45,000.00	83689 2319	SnoValley Chamber of Commerce LTAC Marketing
SV CHAMBER COMM	11057391 541000	Professional Svcs - General	2024	12	INV	Paid	9,000.00	83689 2316	SnoValley Chamber of Commerce LTAC Block Part
SYSTEMS DESIGN W	FIR52270 541090	BLS Customer Billing Services	2024	12	INV	Paid	752.09	83690 20242307	October EMS Billing
The Narwhal Group	STR54266 541000	Professional Svcs - General	2024	12	INV	Paid	400.00	83691 2024-25221	Weathernet service fee - Oct 2024
The Narwhal Group	STR54266 541000	Professional Svcs - General	2024	12	INV	Paid	400.00	83691 2024-25371	Weathernet service fee - Nov 2024
The Narwhal Group	STR54266 541000	Professional Svcs - General	2024	12	INV	Paid	400.00	83691 2024-25596	Weathernet service fee - Dec 2024
US Postmaster	40153481 542300	Postage & Freight	2024	12	INV	Paid	690.00	83692 1/25 UB Postage	UB Postage for Dec. 2024 Bills
US Postmaster	40253580 542300	Postage & Freight	2024	12	INV	Paid	690.00	83692 1/25 UB Postage	UB Postage for Dec. 2024 Bills
US Postmaster	40353130 542300	Postage & Freight	2024	12	INV	Paid	690.00	83692 1/25 UB Postage	UB Postage for Dec. 2024 Bills
USAB	51051821 531300	Repair & Maintenance Supplies	2024	12	INV	Paid	919.73	83693 INV00552800	Facility backflow checkvalve rebuild kit
UJLC	40153481 541000	Professional Svcs - General	2024	12	INV	Paid	61.76	83694 4110232	Location service for November 2024
VFG	PLN55860 541000	Professional Svcs - General	2024	12	INV	Paid	2,800.00	83695 448438	General Minor Building Permit Assistance TO #20
VFG	PLN55860 541000	Professional Svcs - General	2024	12	INV	Paid	178.50	83695 448447	Comprehensive Plan SEPA Adoption Addendum T
VFG	PLN55860 541000	Professional Svcs - General	2024	12	INV	Paid	765.00	83695 448448	Sandy Cove Shoreline Substantial Develop Permi
VFG	PLN55860 541000	Professional Svcs - General	2024	12	INV	Paid	2,422.50	83695 448449	Retail Waiver & Hist Downtwn Retail Code Amenc
VFG	PLN55860 541000	Professional Svcs - General	2024	12	INV	Paid	1,249.50	83695 448450	Code Amend SB 5290 Compliance & Improve Pmt
VFG	PLN55860 541000	Professional Svcs - General	2024	12	INV	Paid	1,479.00	83695 448451	Code Amendments Updating School Impact Fee T
VFG	PLN55860 541000	Professional Svcs - General	2024	12	INV	Paid	76.50	83695 448453	Lot Line Adjustment TO# 29
VFG	PLN55860 541000	Professional Svcs - General	2024	12	INV	Paid	153.00	83695 448454	DRB2024-0002 Processing TO# 37
VFG	PLN55860 541000	Professional Svcs - General	2024	12	INV	Paid	1,606.50	83695 448458	Snoqualmie River Trail Processing TO# 39
VFG	PLN55860 541000	Professional Svcs - General	2024	12	INV	Paid	714.00	83695 448459	Reclaimed Water System Improvements TO# 38
VFG	PLN55860 541000	Professional Svcs - General	2024	12	INV	Paid	2,075.00	83695 448477	PAR2023-0010 Clearing Grading Permit #19
VFG	PLN55860 541000	Professional Svcs - General	2024	12	INV	Paid	1,800.00	83695 448478	Minor Bld Permit Review Planning and Process #2
VFG	PLN55860 541000	Professional Svcs - General	2024	12	INV	Paid	306.00	83695 448480	Comprehensive Plan SEPA Adoption Addendum T
VFG	PLN55860 541000	Professional Svcs - General	2024	12	INV	Paid	459.00	83695 448481	Sandy Cove Shoreline SubstDevelop Permit #25
VFG	PLN55860 541000	Professional Svcs - General	2024	12	INV	Paid	612.00	83695 448482	Retail Waivers Historic Downtown Ret Code Amd
VFG	PLN55860 541000	Professional Svcs - General	2024	12	INV	Paid	331.50	83695 448483	Code Amend SB 5290 Permit Processing Clarity #2
VFG	PLN55860 541000	Professional Svcs - General	2024	12	INV	Paid	714.00	83695 448484	Lot Line Adjustment TO# 29
VFG	PLN55860 541000	Professional Svcs - General	2024	12	INV	Paid	229.50	83695 448490	Snoq River Trl Proc CG2024-0002, SEPA2024-0004
VFG	PLN55860 541000	Professional Svcs - General	2024	12	INV	Paid	2,167.50	83695 448492	Reclaimed Water Sys Improve #38 CG2024-0003
VFG	PLN55861 541000	Professional Svcs - General	2024	12	INV	Paid	300.00	83695 448435	Timber Trails Plat; Parcel S-14 Project TO# 10
VFG	PLN55861 541000	Professional Svcs - General	2024	12	INV	Paid	600.00	83695 448440	Snoq Ridge II Parc S21-PAR, Site plan Perm (TO#2
VFG	PLN55861 541000	Professional Svcs - General	2024	12	INV	Paid	2,983.50	83695 448456	NW Railway Museum Var Application Process #36
VFG	PLN55861 541000	Professional Svcs - General	2024	12	INV	Paid	153.00	83695 448460	Meadowbrook Offices Permit TO #40 PAR 2024-0
VFG	PLN55861 541000	Professional Svcs - General	2024	12	INV	Paid	875.00	83695 448475	Timber Trails Plat; Parcel S-14 Project TO# 10
VFG	PLN55861 541000	Professional Svcs - General	2024	12	INV	Paid	275.00	83695 448476	CG2023-0006 Clearing Grading Permit #17 Parcel
VFG	PLN55861 541000	Professional Svcs - General	2024	12	INV	Paid	1,450.00	83695 448479	Snoq Ridge II S21-PAR Site plan Perm #23
VFG	PLN55861 541000	Professional Svcs - General	2024	12	INV	Paid	1,326.00	83695 448489	NW Railway Museum Var Application Process #36
VFG	31137020 541000	Community Ctr - Prof'l Svcs	2024	12	INV	Paid	425.00	83695 448436	Community Center Expansion Pre App Review TO
WLACE	40153481 531300	Repair & Maintenance Supplies	2024	12	INV	Paid	419.15	83696 15313941	Supplies to keep rats out of SWTP
WLACE	40353190 531300	Repair & Maintenance Supplies	2024	12	INV	Paid	13.08	83696 15313347	Scale for measuring soil amendments
WLACE	40353190 531300	Repair & Maintenance Supplies	2024	12	INV	Paid	61.07	83696 15313669	Bar oil for chainsaws
WLACE	40353190 531300	Repair & Maintenance Supplies	2024	12	INV	Paid	34.90	83696 15313763	Reciprocating saw blades
WLACE	51051821 531300	Repair & Maintenance Supplies	2024	12	INV	Paid	80.44	83696 15313641	City Hall snow shovels and wall repair
WLACE	51051821 531300	Repair & Maintenance Supplies	2024	12	INV	Paid	5.86	83696 15313667	electrical box gaskets council chambers
WLACE	51051821 531300	Repair & Maintenance Supplies	2024	12	INV	Paid	14.17	83696 15313890	Cleaner drain acid
WMCA	CLK51420 543000	Training & Travel	2024	12	INV	Paid	695.00	83697 05803	2025 WMCA Conference Registration Fee G. Garr
WSP BF	63358930 589305	Concealed Pistol License Remit	2024	12	INV	Paid	132.50	83698 12502776	fingerprinting background checks - November 202

City of Snoqualmie

Claims presented to the City to be paid in the amount of 796,036.86

For claims warrants numbered 83699 through 83753 & dated 1/9/2025

#134

AMZONCAP	EXE51310 531000	Office Supplies	2024	12	INV	Paid	29.98	83699 1K4G-Q6WH-9PQN	Supplies for City Attorney & Mayor
AMZONCAP	LEG51531 531000	Office Supplies	2024	12	INV	Paid	65.01	83699 1K4G-Q6WH-9PQN	Supplies for City Attorney & Mayor
AMZONCAP	POL52122 531000	Office Supplies	2024	12	INV	Paid	38.45	83699 19HM-Q9DJ-3W3N	Desk Calendar, dry erase board, lamps, magnets

AMZONCAP	01452122 531000	Office Supplies	2024	12	INV	Paid	91.47	83699 19HM-Q9DJ-3W3N	Desk Calendar, dry erase board, lamps, magnets
AMZONCAP	40353130 531000	Office Supplies	2024	12	INV	Paid	17.25	83699 1TK4-T4KH-34V3	Dish soap, wader, Hi-Vis Jacket, whitebrd markers
AMZONCAP	40353190 531050	Uniforms & Protective Gear	2024	12	INV	Paid	272.73	83699 1TK4-T4KH-34V3	Dish soap, wader, Hi-Vis Jacket, whitebrd markers
AMZONCAP	51051821 531340	Custodial & Cleaning Supplies	2024	12	INV	Paid	6.52	83699 1TK4-T4KH-34V3	Dish soap, wader, Hi-Vis Jacket, whitebrd markers
ATWORK	PKF57680 548150	Landscaping Services	2024	12	INV	Paid	17,561.01	83700 PS-INV105754	Maintenance agreement- Mini Parks- October
ATWORK	PKF57680 548150	Landscaping Services	2024	12	INV	Paid	17,561.01	83700 PS-INV105790	Maintenance agreement- Mini-Parks- November
ATWORK	STR54270 548150	Landscaping Services	2024	12	INV	Paid	6,114.84	83700 PS-INV105755	Roadside Maintenance- October
ATWORK	STR54270 548150	Landscaping Services	2024	12	INV	Paid	6,114.84	83700 PS-INV105791	Roadside Maintenance- November
ATWORK	40353130 548150	Landscaping Services	2024	12	INV	Paid	14,267.95	83700 PS-INV105755	Roadside Maintenance- October
ATWORK	40353130 548150	Landscaping Services	2024	12	INV	Paid	14,267.95	83700 PS-INV105791	Roadside Maintenance- November
ATWORK	51051821 548150	Landscaping Services	2024	12	INV	Paid	2,892.15	83700 PS-INV105753	Maintenance agreement- facilities October 2024
ATWORK	51051821 548150	Landscaping Services	2024	12	INV	Paid	2,892.15	83700 PS-INV105789	Maintenance agreement- facilities- November
BEACON	PKF57680 531300	Repair & Maintenance Supplies	2024	12	INV	Paid	1,463.37	83701 0598101-IN	Field Line Paint
BEACON	PKF57680 531300	Repair & Maintenance Supplies	2024	12	INV	Paid	1,316.48	83701 0598253-IN	Field Line Paint
CENLINK	50251888 542000	Telephone Service	2024	12	INV	Paid	1,392.91	83702 300575004 12/24	Snoqualmie Police land lines - Dec20-Jan19
CENLINK	50251888 542000	Telephone Service	2024	12	INV	Paid	103.26	83702 333555664 12/24	Snoq Police Dispatch land line - Dec 09-Jan 08
CENTURYLINK	50251888 542000	Telephone Service	2024	12	INV	Paid	90.90	83703 300570848 12/24	Monthly Telephone Service
CENTURYLINK	50251888 542000	Telephone Service	2024	12	INV	Paid	637.08	83703 300571491 12/24	Monthly Telephone Service
CENTURYLINK	50251888 542000	Telephone Service	2024	12	INV	Paid	133.97	83703 300573862 12/24	Monthly Telephone Service
CENTURYLINK	50251888 542000	Telephone Service	2024	12	INV	Paid	1.10	83703 402478791 12/24	Monthly Telephone Service
CENTURYLINK	50251888 542000	Telephone Service	2024	12	INV	Paid	1,606.03	83703 411746240 12/24	Monthly Telephone Service
CINTAS	40253580 545200	Rent - Furniture & Equipment	2024	12	INV	Paid	127.65	83704 9294508499	AED Rental
CINTAS	40253580 545200	Rent - Furniture & Equipment	2024	12	INV	Paid	127.65	83704 9298527761	AED Rental
COI	POL52122 541511	Dispatch Services	2024	12	INV	Paid	30,130.65	83705 24000476	Dispatch services - November 2024
COI	01452122 541511	Dispatch Services	2024	12	INV	Paid	20,087.10	83705 24000476	Dispatch services - November 2024
COMCAST	50251888 542200	INET Internet Network Services	2024	12	INV	Paid	421.20	83706 0559927-12-24	Secondary Internet Service
COMP PD	51051821 531340	Custodial & Cleaning Supplies	2024	12	INV	Paid	378.32	83707 2326487-0	Paper towels, facial tissue, bath tissue
COMP PD	51051821 531340	Custodial & Cleaning Supplies	2024	12	INV	Paid	236.31	83707 2326803-0	Detergent, dryer sheets
CORPPAY	CLK51420 531000	Office Supplies	2024	12	INV	Paid	32.68	83708 12/24 DD	City Credit Card D. Dean
CORPPAY	CLK51420 541000	Professional Svcs - General	2024	12	INV	Paid	233.16	83708 12/24 DD	City Credit Card D. Dean
CORPPAY	CLK51420 549200	Dues-Subscriptions-Memberships	2024	12	INV	Paid	25.00	83708 12/24 DD	City Credit Card D. Dean
CORPPAY	COU51160 543000	Training & Travel	2024	12	INV	Paid	65.00	83708 12/24 DD	City Credit Card D. Dean
CORPPAY	EMG52560 535900	Small Tools & Equipment	2024	12	INV	Paid	349.11	83708 12/24 MB	City Credit Card M. Bailey
CORPPAY	EVE57390 531900	Miscellaneous Supplies	2024	12	INV	Paid	712.36	83708 12/24 NW	City Credit Card N. Wiebe
CORPPAY	EXE51310 543000	Training & Travel	2024	12	INV	Paid	145.00	83708 12/24 DD	City Credit Card D. Dean
CORPPAY	EXE51310 549100	City-Sponsored Expenses	2024	12	INV	Paid	1,452.81	83708 12/24 KR	City Credit Card K. Ross
CORPPAY	EXE51310 549100	City-Sponsored Expenses	2024	12	INV	Paid	1,440.12	83708 12/24 MC	City Credit Card M. Chambless
CORPPAY	EXE51310 549100	City-Sponsored Expenses	2024	12	INV	Paid	43.76	83708 12/24 NW	City Credit Card N. Wiebe
CORPPAY	EXE51310 549200	Dues-Subscriptions-Memberships	2024	12	INV	Paid	775.00	83708 12/24 NW	City Credit Card N. Wiebe
CORPPAY	FIR52210 531000	Office Supplies	2024	12	INV	Paid	39.36	83708 12/24 JR	City Credit Card J. Rellamas
CORPPAY	FIR52210 542300	Postage & Freight	2024	12	INV	Paid	89.42	83708 12/24 JR	City Credit Card J. Rellamas
CORPPAY	FIR52220 531050	Uniforms	2024	12	INV	Paid	41.13	83708 12/24 CB	City Credit Card C. Brown
CORPPAY	FIR52220 531051	Personal Protective Equipment	2024	12	INV	Paid	747.66	83708 12/24 JR	City Credit Card J. Rellamas
CORPPAY	FIR52220 531051	Personal Protective Equipment	2024	12	INV	Paid	760.10	83708 12/24 MB	City Credit Card M. Bailey
CORPPAY	FIR52220 541000	Professional Svcs - General	2024	12	INV	Paid	130.92	83708 12/24 JR	City Credit Card J. Rellamas
CORPPAY	FIR52245 543000	Training & Travel	2024	12	INV	Paid	556.20	83708 12/24 CB	City Credit Card C. Brown
CORPPAY	FIR52245 543000	Training & Travel	2024	12	INV	Paid	556.20	83708 12/24 MB	City Credit Card M. Bailey
CORPPAY	FIR52250 535210	Office Furnishings	2024	12	INV	Paid	294.56	83708 12/24 MB	City Credit Card M. Bailey
CORPPAY	HUM51810 541420	HR-Related Services	2024	12	INV	Paid	575.00	83708 12/24 KJ	City Credit Card K. Johnson
CORPPAY	HUM51810 542300	Postage & Freight	2024	12	INV	Paid	10.45	83708 12/24 KJ	City Credit Card K. Johnson
CORPPAY	HUM51810 549100	City-Sponsored Expenses	2024	12	INV	Paid	30.86	83708 12/24 NW	City Credit Card N. Wiebe
CORPPAY	HUM51810 549200	Dues-Subscriptions-Memberships	2024	12	INV	Paid	200.00	83708 12/24 KJ	City Credit Card K. Johnson
CORPPAY	LEG51531 549200	Dues-Subscriptions-Memberships	2024	12	INV	Paid	482.06	83708 12/24 MC	City Credit Card M. Chambless
CORPPAY	NON51890 542300	Postage & Freight	2024	12	INV	Paid	24.40	83708 12/24 NW	City Credit Card N. Wiebe
CORPPAY	PLN55860 549100	City-Sponsored Expenses	2024	12	INV	Paid	218.09	83708 12/24 CD	City Credit Card Comm. Devlp.
CORPPAY	PLN55860 549200	Dues-Subscriptions-Memberships	2024	12	INV	Paid	50.00	83708 12/24 CD	City Credit Card Comm. Devlp.
CORPPAY	POL52110 542300	Postage & Freight	2024	12	INV	Paid	83.75	83708 12/24 ML	City Credit Card M. Liebetrau
CORPPAY	POL52122 531000	Office Supplies	2024	12	INV	Paid	57.18	83708 12/24 ML	City Credit Card M. Liebetrau
CORPPAY	POL52122 531050	Uniforms & Protective Gear	2024	12	INV	Paid	30.00	83708 12/24 M Black	City Credit Card M. Black

CORPPAY	POL52140 543000	Training & Travel	2024	12	INV	Paid	404.19	83708 12/24 GH	City Credit Card G. Horejsi
CORPPAY	01257321 531910	Operating Supplies	2024	12	INV	Paid	82.73	83708 12/24 NW	City Credit Card N. Wiebe
CORPPAY	01452110 542300	Postage & Freight	2024	12	INV	Paid	2.04	83708 12/24 ML	City Credit Card M. Liebetrau
CORPPAY	40153410 523300	Reimb - Dues, Licenses & Cert	2024	12	INV	Paid	269.00	83708 12/24 JQ	City Credit Card J. Quade
CORPPAY	50251888 541030	Info Tech Services	2024	12	INV	Paid	880.61	83708 12/24 IT	City Credit Card IT Dept
CRIMINAL	POL52140 543000	Training & Travel	2024	12	INV	Paid	400.00	83709 201140443	D. Vladis- handgun red dot sight course 11/20/24
CRIMINAL	01452140 543000	Training & Travel	2024	12	INV	Paid	400.00	83709 201140443	D. Vladis- handgun red dot sight course 11/20/24
CTV	PKF57680 531300	Repair & Maintenance Supplies	2024	12	INV	Paid	10.90	83710 B391675	Wire brush, level
CTV	PKF57680 531300	Repair & Maintenance Supplies	2024	12	INV	Paid	8.17	83710 B393131	Wire brush, level
CTV	POL52122 531910	Operating Supplies	2024	12	INV	Paid	77.44	83710 B392746	Assorted bungee cords, tarp
CTV	POL52122 531910	Operating Supplies	2024	12	INV	Paid	49.07	83710 B392936	Extension cords
CTV	STR54230 531300	Repair & Maintenance Supplies	2024	12	INV	Paid	89.42	83710 B391532	Assorted repair & maint. Supplies
CTV	STR54230 531300	Repair & Maintenance Supplies	2024	12	INV	Paid	39.20	83710 B391702	Assorted repair & maint. Supplies
CTV	STR54230 531300	Repair & Maintenance Supplies	2024	12	INV	Paid	8.17	83710 B391737	Assorted repair & maint. Supplies
CTV	STR54230 531300	Repair & Maintenance Supplies	2024	12	INV	Paid	26.16	83710 B391784	Assorted repair & maint. Supplies
CTV	STR54230 531300	Repair & Maintenance Supplies	2024	12	INV	Paid	3.81	83710 B391824	Assorted repair & maint. Supplies
CTV	STR54230 531300	Repair & Maintenance Supplies	2024	12	INV	Paid	16.35	83710 B392347	Assorted repair & maint. Supplies
DJC	PLN55860 541390	Advertising, Legal Notices etc	2024	12	INV	Paid	527.80	83711 3405706	RFQ for Parcel 2524079033 Afford/workforce hsg
E+H	40253580 531300	Repair & Maintenance Supplies	2024	12	INV	Paid	3,930.53	83712 6002619301	Phase 3 CIP parts
Employment Security	POL52121 541000	Professional Svcs - General	2024	12	INV	Paid	3.50	83713 24-037678-RDU-D5	Employment research re: D. Hart re 245-4579
ERA	40253585 541000	Professional Svcs - General	2024	12	INV	Paid	752.60	83714 020776	Performance testing services
ERA	40253585 541000	Professional Svcs - General	2024	12	INV	Paid	209.02	83714 079288	Performance testing services
ESM Consulting	31137020 541060	Community Ctr. - Design	2024	12	INV	Paid	1,195.00	83715 119160	Boundary Line Adj. of Comm Ctr Parcels- Closeout
Evergreen Courier LL	40253585 542300	Postage & Freight	2024	12	INV	Paid	627.00	83716 000188	Courier service to lab
Evergreen Courier LL	40253585 542300	Postage & Freight	2024	12	INV	Paid	114.00	83716 000195	Courier samples to lab
Evergreen Courier LL	40253585 542300	Postage & Freight	2024	12	INV	Paid	114.00	83716 000200	Courier samples to lab
GALLSLLC	POL52122 531050	Uniforms & Protective Gear	2024	12	INV	Paid	286.23	83717 029605967	Barrel Bags x14
HD Fowler	40153481 531300	Repair & Maintenance Supplies	2024	12	INV	Paid	35,593.38	83718 16903429	Leak detector equipment
HD Fowler	40153935 531300	Repair & Maintenance Supplies	2024	12	INV	Paid	5,425.76	83718 16903425	Repair parts for filter at irrigation pumpstation
HD Fowler	40153935 531300	Repair & Maintenance Supplies	2024	12	INV	Paid	1,335.24	83718 16903433	Maxicom replacement controllers
IMC	NON51250 541115	Municipal Court Services-Costs	2024	12	INV	Paid	3,642.83	83719 SQL Nov 2024	Snoqualmie court filings - November 2024
Karmali Law Office	NON51591 541111	Public Defender Services	2024	12	INV	Paid	460.00	83720 Dec-24	Public Defense Serv Harrell-Rider Kevin J 245-106
Kissler	40253555 548000	Repair & Maintenance Services	2024	12	INV	Paid	4,419.21	83721 11484	Biosolids haul
Landscape Structures	31126050 563009	C Pk Sprayground - Construct	2024	12	INV	Paid	40,796.51	83722 INV-139610-ON	For Oct/Nov Sitework of the Splashpad
LNCs	POL52122 531050	Uniforms & Protective Gear	2024	12	INV	Paid	36.00	83723 INV890683	#688 W. Schannauer Name Patch and Emblems
LNCs	POL52122 531050	Uniforms & Protective Gear	2024	12	INV	Paid	284.52	83723 INV891502	#691 CHolmes Long Slv Shirt Embroid Wool Pant
LNCs	POL52122 531050	Uniforms & Protective Gear	2024	12	INV	Paid	209.92	83723 INV893351	#691 CHolmes Short Sleeve Polo Shirts Embroider
LNCs	POL52122 531050	Uniforms & Protective Gear	2024	12	INV	Paid	94.74	83723 INV893726	#691 C. Holmes Pant
LNCs	POL52122 531050	Uniforms & Protective Gear	2024	12	INV	Paid	1,931.07	83723 INV897661	#690 JYang Armor Panel Set Covert Armor Carrier
LNCs	POL52122 531050	Uniforms & Protective Gear	2024	12	INV	Paid	546.59	83723 INV898118	#692 JHall Swtshirt, Tshirts, Polo Shorts Swtpants
LNCs	POL52122 531050	Uniforms & Protective Gear	2024	12	INV	Paid	1,931.07	83723 INV898321	#689 DLosvar Armor Panel Set, Covert Armor carr
LNCs	POL52122 531050	Uniforms & Protective Gear	2024	12	INV	Paid	920.73	83723 INV898504	#682 JHall DressShoes Neck Tie Tie Bar Shirt Pants
LNCs	POL52122 531050	Uniforms & Protective Gear	2024	12	INV	Paid	1,151.34	83723 INV898517	#682 J. Hall Belt, Pouches Baton Handcuff Keys
LNCs	01452122 531050	Uniforms & Protective Gear	2024	12	INV	Paid	106.34	83723 INV893501	#684 E. Rasmussen Handcuff Key & Cuffs
LNCs	01452122 531050	Uniforms & Protective Gear	2024	12	INV	Paid	82.83	83723 INV894201	#654 S. Tye Long Sleeve Shirt Embroidery
LOUDEDGE	POL52110 541000	Professional Svcs - General	2024	12	INV	Paid	300.00	83724 COS-060124-C	Officer photo retouching - Werre, Benko, Horejs
Masters Telecom	50251888 542000	Telephone Service	2024	12	INV	Paid	10.42	83725 43570	Paging Line for Fire Department
Masters Telecom	50251888 542000	Telephone Service	2024	12	INV	Paid	10.44	83725 45461	Paging Line for Fire Department
Masters Telecom	50251888 542000	Telephone Service	2024	12	INV	Paid	10.44	83725 47206	Paging Line for Fire Department
Masters Telecom	50251888 542000	Telephone Service	2024	12	INV	Paid	10.44	83725 49127	Paging Line for Fire Department
Natural Structures	PKF57680 531300	Repair & Maintenance Supplies	2024	12	INV	Paid	3,508.76	83726 24-N046	Playground slide
NAVIA AP	00150020 522300	HRA Medical Reimbursements	2024	12	INV	Paid	10.35	83727 10905849	HRA Admin Fees- November
NAVIA AP	00150020 522300	HRA Medical Reimbursements	2024	12	INV	Paid	10.35	83727 10921867	HRA Admin Fees- December
NAVIA AP	CLK51420 522300	HRA Medical Reimbursements	2024	12	INV	Paid	4.14	83727 10905849	HRA Admin Fees- November
NAVIA AP	CLK51420 522300	HRA Medical Reimbursements	2024	12	INV	Paid	4.14	83727 10921867	HRA Admin Fees- December
NAVIA AP	COM55720 522300	HRA Medical Reimbursements	2024	12	INV	Paid	4.14	83727 10905849	HRA Admin Fees- November
NAVIA AP	COM55720 522300	HRA Medical Reimbursements	2024	12	INV	Paid	4.14	83727 10921867	HRA Admin Fees- December
NAVIA AP	EVE57120 522300	HRA Medical Reimbursements	2024	12	INV	Paid	2.90	83727 10905849	HRA Admin Fees- November
NAVIA AP	EVE57120 522300	HRA Medical Reimbursements	2024	12	INV	Paid	2.90	83727 10921867	HRA Admin Fees- December

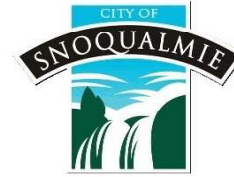
NAVIA AP	40353190 522300	HRA Medical Reimbursements	2024	12	INV	Paid	8.28	83727 10921867	HRA Admin Fees- December
NAVIA AP	41759431 522300	HRA Medical Reimbursements	2024	12	INV	Paid	2.69	83727 10905849	HRA Admin Fees- November
NAVIA AP	41759431 522300	HRA Medical Reimbursements	2024	12	INV	Paid	2.69	83727 10921867	HRA Admin Fees- December
NAVIA AP	41759434 522300	HRA Medical Reimbursements	2024	12	INV	Paid	5.38	83727 10905849	HRA Admin Fees- November
NAVIA AP	41759434 522300	HRA Medical Reimbursements	2024	12	INV	Paid	5.38	83727 10921867	HRA Admin Fees- December
NAVIA AP	41759435 522300	HRA Medical Reimbursements	2024	12	INV	Paid	5.38	83727 10905849	HRA Admin Fees- November
NAVIA AP	41759435 522300	HRA Medical Reimbursements	2024	12	INV	Paid	5.38	83727 10921867	HRA Admin Fees- December
NAVIA AP	50154861 522300	HRA Medical Reimbursements	2024	12	INV	Paid	0.41	83727 10905849	HRA Admin Fees- November
NAVIA AP	50154861 522300	HRA Medical Reimbursements	2024	12	INV	Paid	0.41	83727 10921867	HRA Admin Fees- December
NAVIA AP	50154868 522300	HRA Medical Reimbursements	2024	12	INV	Paid	6.21	83727 10905849	HRA Admin Fees- November
NAVIA AP	50154868 522300	HRA Medical Reimbursements	2024	12	INV	Paid	6.21	83727 10921867	HRA Admin Fees- December
NAVIA AP	50251888 522300	HRA Medical Reimbursements	2024	12	INV	Paid	28.98	83727 10905849	HRA Admin Fees- November
NAVIA AP	50251888 522300	HRA Medical Reimbursements	2024	12	INV	Paid	28.98	83727 10921867	HRA Admin Fees- December
NAVIA AP	51051820 522300	HRA Medical Reimbursements	2024	12	INV	Paid	0.21	83727 10905849	HRA Admin Fees- November
NAVIA AP	51051820 522300	HRA Medical Reimbursements	2024	12	INV	Paid	0.21	83727 10921867	HRA Admin Fees- December
NAVIA AP	51051821 522300	HRA Medical Reimbursements	2024	12	INV	Paid	6.21	83727 10905849	HRA Admin Fees- November
NAVIA AP	51051821 522300	HRA Medical Reimbursements	2024	12	INV	Paid	6.21	83727 10921867	HRA Admin Fees- December
NB AUTOG	POL52150 531300	Repair & Maintenance Supplies	2024	12	INV	Paid	37.62	83728 052654	Vehicle cleaning and Armorall wipes
NORCAM	FIR52220 541511	Dispatch Services	2024	12	INV	Paid	17,648.50	83729 0001833	Q1 2025 Fees
NWR	11055736 541000	Professional Svcs - General	2024	12	INV	Paid	27,000.00	83730 2024.12.06 LTAC	LTAC Funding Snoq Days, Trainshed, Marketing
NWR	11057391 541000	Professional Svcs - General	2024	12	INV	Paid	7,000.00	83730 2024.12.06 LTAC	LTAC Admin Fees- November
NWR	11057530 541390	Advertising, Legal Notices etc	2024	12	INV	Paid	39,700.00	83730 2024.12.06 LTAC	LTAC Funding Snoq Days, Trainshed, Marketing
PARAMET	31175100 541060	384th Sidewalk Design	2024	12	INV	Paid	381.18	83731 62523	384th Ave Sewer Design Svs Ending 11/29/2024
PARAMET	40153481 541050	Engineering Services	2024	12	INV	Paid	1,402.20	83731 62676	Canyon Springs Svcs through Nov. 2024
PARAMET	41750935 541060	384th St - Design	2024	12	INV	Paid	381.18	83731 62523	384th Ave Sewer Design Svs Ending 11/29/2024
PSE	POL52150 547100	Electricity	2024	12	INV	Paid	1,779.12	83732 002083 12/24	PD Natural gas electric charges Oct 3-Nov 1 2024
PSTEST	POL52110 549200	Dues-Subscriptions-Memberships	2024	12	INV	Paid	224.00	83733 2024-1347	Subscription Fees October 2024- December 2024
RH2	40153410 541000	Professional Svcs - General	2024	12	INV	Paid	2,365.48	83734 98663	Final Design/Plan update October 2024
RH2	40153410 541000	Professional Svcs - General	2024	12	INV	Paid	1,205.22	83734 99225	Final Design/plan update through November 2024
RH2	40253510 541000	Professional Svcs - General	2024	12	INV	Paid	2,365.49	83734 98663	Final Design/Plan update October 2024
RH2	40253510 541000	Professional Svcs - General	2024	12	INV	Paid	2,480.50	83734 98957	Engineering level operational support
RH2	40253510 541000	Professional Svcs - General	2024	12	INV	Paid	1,205.21	83734 99225	Final Design/plan update through November 2024
RH2	41134100 541060	Eagle Lake Reclam Design	2024	12	INV	Paid	51,386.17	83734 98663	Final Design/Plan update October 2024
RH2	41134100 541060	Eagle Lake Reclam Design	2024	12	INV	Paid	121,589.24	83734 99225	Final Design/plan update through November 2024
RH2	41759436 541040	WRF Improve Const Mgmt	2024	12	INV	Paid	66,584.50	83734 98655	Construction Mgt through October 2024
RH2	41759436 541040	WRF Improve Const Mgmt	2024	12	INV	Paid	39,612.17	83734 99070	Construction Mgt through November 2024
ROBERT HALF	FIN51423 541190	Temporary Agency Personnel	2024	12	INV	Paid	672.00	83735 64475308	S. Wong - Payroll Specialist Support
Saybr Contractors	40153935 541000	Professional Svcs - General	2024	12	INV	Paid	2,718.75	83736 30322	Repair of Douglas Irrig. main break- Closeout
SCORE	POL52360 541504	Jail Services - SCORE	2024	12	INV	Paid	176.00	83737 8254	SCORE health services Snoqualmie Inmates Sept 2
SCORE	POL52360 541504	Jail Services - SCORE	2024	12	INV	Paid	10,408.15	83737 8293	SCORE Housing mental health serv Snoq Inmates
SHI INT	FIR52250 531820	Info Tech Components	2024	12	INV	Paid	5,279.57	83738 B18664520	Fire iPad Pros
SHI INT	40353130 531820	Info Tech Components	2024	12	INV	Paid	1,863.59	83738 B19047437	Urban Forestry/Stormwater iPads
SHI INT	50251881 531800	Department Software	2024	12	INV	Paid	232.12	83738 B19092307	IT- 2 Adobe Pro Licenses
SHI INT	50251881 531800	Department Software	2024	12	INV	Paid	87.05	83738 B19203889	Adobe Pro License for City Attorney
SHI INT	50251881 531820	Info Tech Components	2024	12	INV	Paid	4,192.84	83738 B19008042	Falcon NW Rak PC
SKCDPH	40253580 547501	Hazardous Waste Program Fees	2024	12	INV	Paid	6,138.96	83739 Q4-2024	Fee for KC hazardous waste collection program Q
SONSRAY	50154868 548000	Repair & Maintenance Services	2024	12	INV	Paid	11,371.81	83740 SWO065019-1	Rear thumb & bucket repair/fbric/cylinder- backh
SPOK	40153935 542000	Telephone Service	2024	12	INV	Paid	30.24	83741 H0303878X	Monthly irrigation pager fee
SS	POL52122 531910	Operating Supplies	2024	12	INV	Paid	585.87	83742 0035677-IN	Terminator stop sticks (3)
STORMLK	40353190 531300	Repair & Maintenance Supplies	2024	12	INV	Paid	5,880.65	83743 24-803	Plants for Green Snoq. Day & Fall/Spring events
T-MOBILE	01452122 541000	Professional Svcs - General	2024	12	INV	Paid	150.00	83744 9587443295	Cell Tower Data Dump Ref 24N-3730
Tetra Tech	EMG52560 541000	Professional Svcs - General	2024	12	INV	Paid	3,000.00	83745 52359491	Emergency Management
TUSCAN	50154868 531301	Repair Parts	2024	12	INV	Paid	1,250.00	83746 702764	Police decal replacement (badges/veh fender num
TUSCAN	50154868 531301	Repair Parts	2024	12	INV	Paid	909.15	83746 702765	Fire accreditation decals- rmw & replace 7 ttl
TYLERTEC	35059418 541000	Professional Svcs - General	2024	12	INV	Paid	2,608.00	83747 045-494693	Tyler Consulting Services
TYLERTEC	35059418 541000	Professional Svcs - General	2024	12	INV	Paid	2,554.24	83747 045-496100	Tyler Consulting Services
TYLERTEC	35059418 541000	Professional Svcs - General	2024	12	INV	Paid	11,084.00	83747 045-496627	Tyler Consulting Services
TYLERTEC	50269418 564000	Financial System Software	2024	12	INV	Paid	66,470.82	83747 045-495858	Tyler Munis Contract- Quarterly Subscription Fees
UULC	40253555 548000	Repair & Maintenance Services	2024	12	INV	Paid	60.44	83748 4110231	Excavation notifications for the month

Item 2.

VERIZCS	40153935 542000	Telephone Service	2024	12	INV	Paid	355.68	83749 6101305349	Monthly cell modem charges
VERIZCS	50251888 542010	Cellular Telephone	2024	12	INV	Paid	6,464.00	83749 6101305348	Monthly Cellular Telephone Service
WASPC	POL52110 549200	Dues-Subscriptions-Memberships	2024	12	INV	Paid	75.00	83750 DUES 2024-00889	Associate Dues - 631 J. Weiss
Water Mgmt Labs	40153481 541000	Professional Svcs - General	2024	12	INV	Paid	390.00	83751 225534	December 2024 bacteria samples
WESTHILL	50154868 548000	Repair & Maintenance Services	2024	12	INV	Paid	1,390.54	83752 3005	VHF radio install and two way radio supplies
WESTPAY	POL52110 549200	Dues-Subscriptions-Memberships	2024	12	INV	Paid	238.16	83753 851147737	Clear research database monthly fee November 2

Accounts Payable

Blanket Voucher Approval Document



User: THolden
 Printed: 12/19/2024 - 3:00PM
 Warrant Request Date: 12/19/2024
 DAC Fund:

Batch: 00002.12.2024 - UB Refunds Dec

City of Snoqualmie

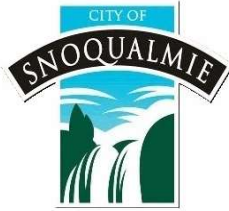
Claims presented to the City to be paid in the amount of \$ 2,532.43
 for claims warrants numbered 62780 through 62792 & dated 12/19/2024.

Line	Claimant	Voucher No.	Amount
1	Baioumy, Mohamed Usama	000062780	188.87
2	Barden, Eric	000062781	230.94
3	Carter, Jen	000062782	204.26
4	Einer, Tim	000062783	59.26
5	Goetzman, Christopher	000062784	290.94
6	Johnson, Mark and Delores	000062785	222.10
7	Johnson, Russel	000062786	193.61
8	Kerr, Brandon	000062787	184.14
9	Sadkov, Mikhail	000062788	218.41
10	Santana, Raquel	000062789	210.17
11	Sun, Jun	000062790	222.86
12	Taylor, Mike	000062791	118.00
13	Zhou, Fan	000062792	188.87
Page Total:			\$2,532.43
Grand Total:			\$2,532.43

Accounts Payable

Check Detail

User: THolden
Printed: 12/19/2024 - 3:05PM



Check Number	Check Date	Amount
--------------	------------	--------

UB*03271 - Baioumy, Mohamed Usama Line Item Account

62780	12/19/2024		
	Inv		
<u>Line Item Date</u>	<u>Line Item Description</u>	<u>Line Item Account</u>	
12/13/2024	Refund Check	401-00-000-213-10-00-000	188.87
	Inv Total		188.87
62780 Total:			188.87

UB*03271 - Baioumy, Mohamed Usama Total:

188.87

UB*03268 - Barden, Eric Line Item Account

62781	12/19/2024		
	Inv		
<u>Line Item Date</u>	<u>Line Item Description</u>	<u>Line Item Account</u>	
12/13/2024	Refund Check	401-00-000-213-10-00-000	230.94
	Inv Total		230.94
62781 Total:			230.94

UB*03268 - Barden, Eric Total:

230.94

UB*03266 - Carter, Jen Line Item Account

62782	12/19/2024		
	Inv		
<u>Line Item Date</u>	<u>Line Item Description</u>	<u>Line Item Account</u>	
12/13/2024	Refund Check	401-00-000-213-10-00-000	204.26
	Inv Total		204.26
62782 Total:			204.26

UB*03266 - Carter, Jen Total:

204.26

UB*03269 - Einer, Tim Line Item Account

62783	12/19/2024		
-------	------------	--	--

Inv					
<u>Line Item Date</u>	<u>Line Item Description</u>		<u>Line Item Account</u>		
12/13/2024	Refund Check		401-00-000-213-10-00-000		59.26
Inv Total					59.26
62783 Total:					59.26
UB*03269 - Einer, Tim Total:					59.26
UB*03260 - Goetzman, Christopher Line Item Account					
62784	12/19/2024				
Inv					
<u>Line Item Date</u>	<u>Line Item Description</u>		<u>Line Item Account</u>		
12/13/2024	Refund Check		401-00-000-213-10-00-000		290.94
Inv Total					290.94
62784 Total:					290.94
UB*03260 - Goetzman, Christopher Total:					290.94
UB*03262 - Johnson, Mark and Delores Line Item Account					
62785	12/19/2024				
Inv					
<u>Line Item Date</u>	<u>Line Item Description</u>		<u>Line Item Account</u>		
12/13/2024	Refund Check		401-00-000-213-10-00-000		222.10
Inv Total					222.10
62785 Total:					222.10
UB*03262 - Johnson, Mark and Delores Total:					222.10
UB*03263 - Johnson, Russel Line Item Account					
62786	12/19/2024				
Inv					
<u>Line Item Date</u>	<u>Line Item Description</u>		<u>Line Item Account</u>		
12/13/2024	Refund Check		401-00-000-213-10-00-000		193.61
Inv Total					193.61
62786 Total:					193.61
UB*03263 - Johnson, Russel Total:					193.61

UB*03267 - Kerr, Brandon Line Item Account

62787 12/19/2024

Inv

<u>Line Item Date</u>	<u>Line Item Description</u>	<u>Line Item Account</u>	
12/13/2024	Refund Check	401-00-000-213-10-00-000	184.14

Inv Total 184.14

62787 Total: 184.14

UB*03267 - Kerr, Brandon Total:

184.14

UB*03265 - Sadkov, Mikhail Line Item Account

62788 12/19/2024

Inv

<u>Line Item Date</u>	<u>Line Item Description</u>	<u>Line Item Account</u>	
12/13/2024	Refund Check	401-00-000-213-10-00-000	218.41

Inv Total 218.41

62788 Total: 218.41

UB*03265 - Sadkov, Mikhail Total:

218.41

UB*03270 - Santana, Raquel Line Item Account

62789 12/19/2024

Inv

<u>Line Item Date</u>	<u>Line Item Description</u>	<u>Line Item Account</u>	
12/13/2024	Refund Check	401-00-000-213-10-00-000	210.17

Inv Total 210.17

62789 Total: 210.17

UB*03270 - Santana, Raquel Total:

210.17

UB*03261 - Sun, Jun Line Item Account

62790 12/19/2024

Inv

<u>Line Item Date</u>	<u>Line Item Description</u>	<u>Line Item Account</u>	
12/13/2024	Refund Check	401-00-000-213-10-00-000	222.86

Inv Total 222.86

62790 Total: 222.86

UB*03261 - Sun, Jun Total:

222.86

UB*03272 - Taylor, Mike Line Item Account

62791 12/19/2024

Inv

<u>Line Item Date</u>	<u>Line Item Description</u>	<u>Line Item Account</u>	
12/13/2024	Refund Check	401-00-000-213-10-00-000	118.00

Inv Total 118.00

62791 Total: 118.00

UB*03272 - Taylor, Mike Total:

118.00

UB*03264 - Zhou, Fan Line Item Account

62792 12/19/2024

Inv

<u>Line Item Date</u>	<u>Line Item Description</u>	<u>Line Item Account</u>	
12/13/2024	Refund Check	401-00-000-213-10-00-000	188.87

Inv Total 188.87

62792 Total: 188.87

UB*03264 - Zhou, Fan Total:

188.87

Total: 2,532.43



Payroll
Blanket Voucher Document

Claims presented to the City to be paid on 11/22/24
in the amount of \$559,615.94

Payroll

ACH Check Register



User: 'Ttreptow'
 Printed: 11/21/2024 - 4:01PM
 Batch: 00004.11.2024 - November Cycle 1
 Include Partial: TRUE

Check Date	Check Number	Partial ACH	Employee Name	Amount
11/22/2024	0	False	Bryan Holloway	483.05
11/22/2024	0	False	Catherine Cotton	434.69
11/22/2024	0	False	Louis Washington	334.69
11/22/2024	0	False	Ethan Benson	434.69
11/22/2024	0	False	Jolyon Johnson	434.69
11/22/2024	0	False	Robert Wotton	284.69
11/22/2024	0	False	Cara Christensen	437.46
11/22/2024	0	False	Katherine Ross	1,920.62
11/22/2024	0	False	Deana Dean	4,033.55
11/22/2024	0	False	Gretchen Garrett	2,607.59
11/22/2024	0	False	Tania Holden	4,483.92
11/22/2024	0	False	Jimmie Betts Jr.	4,106.69
11/22/2024	0	False	Brendon Ecker	3,560.36
11/22/2024	0	False	Andrew Latham	4,189.58
11/22/2024	0	False	Andrew Jongekryg	2,453.99
11/22/2024	0	False	Lafleche Lacroix	4,244.56
11/22/2024	0	False	Brian Mainstone	2,875.50
11/22/2024	0	False	Samantha Brumfield	3,054.99
11/22/2024	0	False	Kimberly Johnson	5,500.54
11/22/2024	0	False	Nicole Wiebe	3,994.51
11/22/2024	0	False	Andrew Bouta	4,572.37
11/22/2024	0	False	Jennifer Hughes	3,622.96
11/22/2024	0	False	Heather Florida	4,501.11
11/22/2024	0	False	Kyla Henderson	4,116.52
11/22/2024	0	False	Janna Walker	4,248.65
11/22/2024	0	False	Eun Jung Kim	2,574.80
11/22/2024	0	False	Miles Dewar	2,062.58
11/22/2024	0	False	Danna McCall	5,257.11
11/22/2024	0	False	Brian Lynch	9,099.84
11/22/2024	0	False	Melinda Black	4,340.48
11/22/2024	0	False	Stephanie Butler	2,101.01
11/22/2024	0	False	Austin Gutwein	8,418.81
11/22/2024	0	False	Joseph Spears	8,948.44
11/22/2024	0	False	Michael Peter	3,566.68
11/22/2024	0	False	Max Bostick	3,718.86
11/22/2024	0	False	Pamela Mandery	4,218.23
11/22/2024	0	False	Michael Liebetrau	3,628.58
11/22/2024	0	False	Kobe Hoyla	2,885.12
11/22/2024	0	False	Craig Miller	10,671.72
11/22/2024	0	False	Daniel Moate	9,577.30
11/22/2024	0	False	Joseph Meadows	4,539.76
11/22/2024	0	False	Dylan Losvar	2,186.02
11/22/2024	0	False	Dong (Jack) Yang	2,541.83
11/22/2024	0	False	Sherri Tye	2,350.80
11/22/2024	0	False	Chase Holmes	2,508.53
11/22/2024	0	False	Cory Hendricks	8,916.10
11/22/2024	0	False	Nicholas Schulgen	7,823.31

Check Date	Check Number	Partial ACH	Employee Name	
11/22/2024	0	False	William Natkha	2,621.49
11/22/2024	0	False	Erik Rasmussen	4,371.05
11/22/2024	0	False	Chase Smith	7,683.90
11/22/2024	0	False	Jason Weiss	12,307.98
11/22/2024	0	False	Dmitriy Vladis	8,442.29
11/22/2024	0	False	Christopher Werre	7,282.77
11/22/2024	0	False	Gary Horejsi	3,600.68
11/22/2024	0	False	Jesse Westman	2,587.59
11/22/2024	0	False	Wyatt Schannauer	2,264.85
11/22/2024	0	False	Philip Bennett	7,236.79
11/22/2024	0	False	Justin Ren	6,577.80
11/22/2024	0	False	Kerry O'Neil	2,817.73
11/22/2024	0	False	Dalton Hawk	2,436.16
11/22/2024	0	False	Blake Lemoine	2,190.73
11/22/2024	0	False	Jason Battles	6,581.60
11/22/2024	0	False	Neil MacVicar	5,141.89
11/22/2024	0	False	Jorge Orozco	6,082.19
11/22/2024	0	False	Austin Hilton	2,833.00
11/22/2024	0	False	Ryan Barnet	5,979.15
11/22/2024	0	False	Michael Chambless	6,683.78
11/22/2024	0	False	Kyle Markwardt	2,558.92
11/22/2024	0	False	Christine Iverson	2,234.08
11/22/2024	0	False	Lyle Beach	6,355.60
11/22/2024	0	False	Patrick Fry	5,584.05
11/22/2024	0	False	Jeffrey Hamlin	8,516.28
11/22/2024	0	False	Andrew Vining	5,893.97
11/22/2024	0	False	Hind Ahmed	5,723.61
11/22/2024	0	False	Thomas Holmes	10,091.18
11/22/2024	0	False	Joan Quade	3,612.75
11/22/2024	0	False	Ryan Dalziel	5,601.23
11/22/2024	0	False	Thai Pham	5,557.53
11/22/2024	0	False	Jake Stewart	2,057.83
11/22/2024	0	False	Jason George	7,456.90
11/22/2024	0	False	Kevin Halbert	4,951.07
11/22/2024	0	False	Timothy Barrett	7,074.97
11/22/2024	0	False	Donald Harris	6,763.65
11/22/2024	0	False	Kevin Snyder	6,670.57
11/22/2024	0	False	Kenneth Knowles	6,423.75
11/22/2024	0	False	Christopher Wilson	7,139.56
11/22/2024	0	False	Todd Shinn	6,274.58
11/22/2024	0	False	Matthew Hedger	7,651.15
11/22/2024	0	False	Richard Allen Hebel	2,778.34
11/22/2024	0	False	Ryan Neal	2,916.50
11/22/2024	0	False	Matthew Miller	1,586.38
11/22/2024	0	False	John Cooper	6,250.46
11/22/2024	0	False	Emily Arteché	6,574.58
11/22/2024	0	False	Ilyse Treptow	4,165.54
11/22/2024	0	False	Rebecca Buelna	2,652.49
11/22/2024	0	False	Dylan Gamble	4,020.28
11/22/2024	0	False	Amy Jeffery	2,203.84
11/22/2024	0	False	Ramona Davis	4,272.44
11/22/2024	0	False	Michael Bailey	8,873.48
11/22/2024	0	False	Jessica Rellamas	2,547.12
11/22/2024	0	False	Zachary Schumann	9,232.24
11/22/2024	0	False	Jacob Fouts	12,105.91
11/22/2024	0	False	Theresa Tozier	6,957.07
11/22/2024	0	False	Gregory Heath	11,240.47

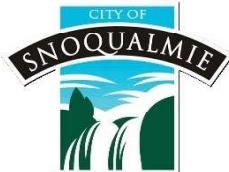


Payroll
Blanket Voucher Document

Claims presented to the City to be paid on 12/6/24
in the amount of \$368, 773.03

Payroll

ACH Check Register



User: 'Ttreptow'
 Printed: 12/05/2024 - 9:45AM
 Batch: 00001.12.2024 - November Cycle 2 2024
 Include Partial: TRUE

Check Date	Check Number	Partial ACH	Employee Name	Amount
12/06/2024	0	False	Bryan Holloway	483.05
12/06/2024	0	False	Catherine Cotton	434.69
12/06/2024	0	False	Louis Washington	334.69
12/06/2024	0	False	Ethan Benson	434.69
12/06/2024	0	False	Jolyon Johnson	434.69
12/06/2024	0	False	Robert Wotton	284.69
12/06/2024	0	False	Cara Christensen	437.46
12/06/2024	0	False	Katherine Ross	1,920.62
12/06/2024	0	False	Deana Dean	3,984.84
12/06/2024	0	False	Gretchen Garrett	2,609.28
12/06/2024	0	False	Tania Holden	2,933.50
12/06/2024	0	False	Jimmie Betts Jr.	3,126.30
12/06/2024	0	False	Brendon Ecker	1,983.37
12/06/2024	0	False	Andrew Latham	3,000.41
12/06/2024	0	False	Andrew Jongekryg	2,156.33
12/06/2024	0	False	Lafleche Lacroix	4,245.41
12/06/2024	0	False	Brian Mainstone	3,510.02
12/06/2024	0	False	Samantha Brumfield	1,882.91
12/06/2024	0	False	Kimberly Johnson	3,734.88
12/06/2024	0	False	Nicole Wiebe	2,613.13
12/06/2024	0	False	Andrew Bouta	4,573.22
12/06/2024	0	False	Jennifer Hughes	3,623.81
12/06/2024	0	False	Heather Florida	2,646.23
12/06/2024	0	False	Kyla Henderson	2,687.21
12/06/2024	0	False	Janna Walker	4,250.34
12/06/2024	0	False	Eun Jung Kim	2,290.66
12/06/2024	0	False	Miles Dewar	1,904.05
12/06/2024	0	False	Danna McCall	3,489.99
12/06/2024	0	False	Brian Lynch	5,076.88
12/06/2024	0	False	Melinda Black	3,164.51
12/06/2024	0	False	Austin Gutwein	3,735.42
12/06/2024	0	False	Joseph Spears	2,605.13
12/06/2024	0	False	Michael Peter	4,031.10
12/06/2024	0	False	Max Bostick	4,156.32
12/06/2024	0	False	Michael Liebetrau	2,198.35
12/06/2024	0	False	Kobe Hoyla	3,514.53
12/06/2024	0	False	Craig Miller	6,504.21
12/06/2024	0	False	Daniel Moate	5,017.88
12/06/2024	0	False	Joseph Meadows	4,854.26
12/06/2024	0	False	Dylan Losvar	2,186.02
12/06/2024	0	False	Dong (Jack) Yang	1,680.97
12/06/2024	0	False	Sherrri Tye	2,108.52
12/06/2024	0	False	Chase Holmes	2,297.90
12/06/2024	0	False	Cory Hendricks	2,543.42
12/06/2024	0	False	Nicholas Schulgen	3,720.57
12/06/2024	0	False	William Natkha	2,533.15
12/06/2024	0	False	Erik Rasmussen	2,995.71

Check Date	Check Number	Partial ACH	Employee Name	
12/06/2024	0	False	Chase Smith	4,939.29
12/06/2024	0	False	Jason Weiss	9,516.96
12/06/2024	0	False	Dmitriy Vladis	4,537.13
12/06/2024	0	False	Christopher Werre	4,838.79
12/06/2024	0	False	Gary Horejsi	3,603.37
12/06/2024	0	False	Jesse Westman	3,397.76
12/06/2024	0	False	Wyatt Schannauer	2,264.85
12/06/2024	0	False	Philip Bennett	4,587.70
12/06/2024	0	False	Justin Ren	2,688.48
12/06/2024	0	False	Kerry O'Neil	2,748.47
12/06/2024	0	False	Dalton Hawk	2,433.53
12/06/2024	0	False	Blake Lemoine	2,193.02
12/06/2024	0	False	Jason Battles	4,527.81
12/06/2024	0	False	Neil MacVicar	2,970.96
12/06/2024	0	False	Jorge Orozco	2,462.06
12/06/2024	0	False	Austin Hilton	2,911.75
12/06/2024	0	False	Ryan Barnet	3,904.27
12/06/2024	0	False	Michael Chambless	6,609.24
12/06/2024	0	False	Kyle Markwardt	2,987.26
12/06/2024	0	False	Christine Iverson	2,231.15
12/06/2024	0	False	Lyle Beach	3,557.03
12/06/2024	0	False	Patrick Fry	3,717.29
12/06/2024	0	False	Jeffrey Hamlin	5,431.94
12/06/2024	0	False	Andrew Vining	3,648.68
12/06/2024	0	False	Hind Ahmed	3,652.33
12/06/2024	0	False	Thomas Holmes	6,008.07
12/06/2024	0	False	Joan Quade	2,196.22
12/06/2024	0	False	Ryan Dalziel	2,825.36
12/06/2024	0	False	Thai Pham	1,533.07
12/06/2024	0	False	Jake Stewart	2,201.30
12/06/2024	0	False	Jason George	5,449.08
12/06/2024	0	False	Kevin Halbert	2,419.83
12/06/2024	0	False	Timothy Barrett	3,270.45
12/06/2024	0	False	Donald Harris	4,279.65
12/06/2024	0	False	Kevin Snyder	3,973.33
12/06/2024	0	False	Kenneth Knowles	3,831.03
12/06/2024	0	False	Christopher Wilson	3,843.61
12/06/2024	0	False	Todd Shinn	3,557.68
12/06/2024	0	False	Matthew Hedger	4,483.04
12/06/2024	0	False	Richard Allen Hebel	2,291.08
12/06/2024	0	False	Ryan Neal	2,630.27
12/06/2024	0	False	Matthew Miller	3,133.39
12/06/2024	0	False	John Cooper	3,747.97
12/06/2024	0	False	Emily Arteche	4,828.70
12/06/2024	0	False	Ilyse Treptow	2,789.94
12/06/2024	0	False	Rebecca Buelna	2,423.04
12/06/2024	0	False	Dylan Gamble	2,829.31
12/06/2024	0	False	Amy Jeffery	2,026.82
12/06/2024	0	False	Ramona Davis	4,050.13
12/06/2024	0	False	Michael Bailey	5,444.25
12/06/2024	0	False	Jessica Rellamas	1,552.42
12/06/2024	0	False	Zachary Schumann	5,211.77
12/06/2024	0	False	Jacob Fouts	4,227.56
12/06/2024	0	False	Theresa Tozier	3,271.08
12/06/2024	0	False	Gregory Heath	2,769.44
12/06/2024	0	False	Albert Wolfe	3,173.34
12/06/2024	0	False	Nicholas Lathrop	5,062.89

Check Date	Check Number	Partial ACH	Employee Name	
12/06/2024	0	False	Matthew West	4,907.55
12/06/2024	0	False	Robert Lasswell	3,697.63
12/06/2024	0	False	Benjamin Parker	2,963.10
12/06/2024	0	False	Damian Ramos	3,552.42
12/06/2024	0	False	Jack Owens	3,165.76
12/06/2024	0	False	Peter O'Donnell	4,313.58
12/06/2024	0	False	Tyler Byrd	3,228.37
12/06/2024	0	False	Christopher Brown	4,313.06
				Partial ACH: 0.00
				Regular ACH: 368,773.03
				Total: 368,773.03
		Total Employees:	112	



Payroll
Blanket Voucher Document

Claims presented to the City to be paid on
12/23/24 in the amount of 428, 822.34

Payroll

ACH Check Register



User: 'Ttreptow'
 Printed: 12/20/2024 - 1:55PM
 Batch: 00002.12.2024 - December Cycle 1 2024
 Include Partial: TRUE

Check Date	Check Number	Partial ACH	Employee Name	Amount
12/23/2024	0	False	Bryan Holloway	483.05
12/23/2024	0	False	Catherine Cotton	434.69
12/23/2024	0	False	Louis Washington	334.69
12/23/2024	0	False	Ethan Benson	434.69
12/23/2024	0	False	Jolyon Johnson	434.69
12/23/2024	0	False	Robert Wotton	284.69
12/23/2024	0	False	Cara Christensen	437.46
12/23/2024	0	False	Katherine Ross	1,920.62
12/23/2024	0	False	Deana Dean	4,032.71
12/23/2024	0	False	Gretchen Garrett	2,606.75
12/23/2024	0	False	Dena Burke	5,158.87
12/23/2024	0	False	Tania Holden	2,931.03
12/23/2024	0	False	Jimmie Betts Jr.	3,001.64
12/23/2024	0	False	Brendon Ecker	1,980.83
12/23/2024	0	False	Andrew Latham	2,743.85
12/23/2024	0	False	Andrew Jongekryg	2,232.64
12/23/2024	0	False	Lafleche Lacroix	4,243.72
12/23/2024	0	False	Brian Mainstone	2,845.78
12/23/2024	0	False	Samantha Brumfield	1,889.66
12/23/2024	0	False	Kimberly Johnson	3,865.44
12/23/2024	0	False	Nicole Wiebe	2,606.10
12/23/2024	0	False	Andrew Bouta	4,571.53
12/23/2024	0	False	Jennifer Hughes	3,623.81
12/23/2024	0	False	Heather Florida	2,652.85
12/23/2024	0	False	Kyla Henderson	2,889.22
12/23/2024	0	False	Janna Walker	4,247.81
12/23/2024	0	False	Eun Jung Kim	2,288.97
12/23/2024	0	False	Miles Dewar	1,901.50
12/23/2024	0	False	Danna McCall	3,489.14
12/23/2024	0	False	Brian Lynch	4,834.96
12/23/2024	0	False	Melinda Black	2,748.17
12/23/2024	0	False	Austin Gutwein	6,487.26
12/23/2024	0	False	Joseph Spears	6,112.26
12/23/2024	0	False	Michael Peter	3,864.14
12/23/2024	0	False	Max Bostick	5,386.78
12/23/2024	0	False	Michael Liebetrau	2,395.03
12/23/2024	0	False	Kobe Hoyla	5,217.90
12/23/2024	0	False	Craig Miller	9,889.29
12/23/2024	0	False	Daniel Moate	10,928.43
12/23/2024	0	False	Marcus Sanchez	3,871.31
12/23/2024	0	False	Joseph Meadows	6,933.96
12/23/2024	0	False	Dylan Losvar	2,261.48
12/23/2024	0	False	Dong (Jack) Yang	2,702.58
12/23/2024	0	False	Sherri Tye	2,075.10
12/23/2024	0	False	Chase Holmes	2,261.13
12/23/2024	0	False	Cory Hendricks	4,941.37
12/23/2024	0	False	Nicholas Schulgen	4,995.24

Check Date	Check Number	Partial ACH	Employee Name	
12/23/2024	0	False	William Natkha	6,167.16
12/23/2024	0	False	Erik Rasmussen	6,351.67
12/23/2024	0	False	Chase Smith	6,574.53
12/23/2024	0	False	Jason Weiss	11,481.70
12/23/2024	0	False	Nigel Draveling	1,372.44
12/23/2024	0	False	Dmitriy Vladis	7,052.66
12/23/2024	0	False	Christopher Werre	9,011.26
12/23/2024	0	False	Gary Horejsi	5,044.65
12/23/2024	0	False	Jesse Westman	2,874.03
12/23/2024	0	False	Wyatt Schannauer	2,261.48
12/23/2024	0	False	Jaedon Hall	2,290.48
12/23/2024	0	False	Philip Bennett	4,586.01
12/23/2024	0	False	Justin Ren	2,715.31
12/23/2024	0	False	Kerry O'Neil	2,338.59
12/23/2024	0	False	Dalton Hawk	2,366.07
12/23/2024	0	False	Blake Lemoine	2,241.90
12/23/2024	0	False	Jason Battles	3,314.50
12/23/2024	0	False	Neil MacVicar	2,414.57
12/23/2024	0	False	Jorge Orozco	2,458.55
12/23/2024	0	False	Austin Hilton	3,645.49
12/23/2024	0	False	Ryan Barnet	3,175.28
12/23/2024	0	False	Michael Chambless	6,593.47
12/23/2024	0	False	Kyle Markwardt	2,527.86
12/23/2024	0	False	Christine Iverson	2,231.15
12/23/2024	0	False	Lyle Beach	4,226.38
12/23/2024	0	False	Patrick Fry	3,722.57
12/23/2024	0	False	Jeffrey Hamlin	5,864.52
12/23/2024	0	False	Andrew Vining	3,817.70
12/23/2024	0	False	Hind Ahmed	3,645.31
12/23/2024	0	False	Thomas Holmes	6,772.07
12/23/2024	0	False	Joan Quade	2,193.68
12/23/2024	0	False	Ryan Dalziel	2,820.68
12/23/2024	0	False	Thai Pham	2,855.05
12/23/2024	0	False	Jake Stewart	1,863.88
12/23/2024	0	False	Jason George	5,535.05
12/23/2024	0	False	Kevin Halbert	2,694.37
12/23/2024	0	False	Timothy Barrett	3,095.90
12/23/2024	0	False	Donald Harris	4,979.06
12/23/2024	0	False	Kevin Snyder	3,966.31
12/23/2024	0	False	Kenneth Knowles	3,575.54
12/23/2024	0	False	Christopher Wilson	3,059.05
12/23/2024	0	False	Todd Shinn	3,634.56
12/23/2024	0	False	Matthew Hedger	5,071.42
12/23/2024	0	False	Richard Allen Hebel	2,528.33
12/23/2024	0	False	Ryan Neal	3,250.76
12/23/2024	0	False	Matthew Miller	4,010.37
12/23/2024	0	False	John Cooper	3,740.94
12/23/2024	0	False	Emily Arteche	4,827.86
12/23/2024	0	False	Ilyse Treptow	3,158.10
12/23/2024	0	False	Rebecca Buelna	2,420.49
12/23/2024	0	False	Dylan Gamble	2,824.62
12/23/2024	0	False	Amy Jeffery	2,024.59
12/23/2024	0	False	Ramona Davis	3,923.22
12/23/2024	0	False	Michael Bailey	5,512.85
12/23/2024	0	False	Jessica Rellamas	1,334.32
12/23/2024	0	False	Zachary Schumann	4,206.73
12/23/2024	0	False	Jacob Fouts	4,257.72

Check Date	Check Number	Partial ACH	Employee Name	
12/23/2024	0	False	Theresa Tozier	4,335.21
12/23/2024	0	False	Gregory Heath	2,694.82
12/23/2024	0	False	Albert Wolfe	5,349.48
12/23/2024	0	False	Nicholas Lathrop	3,119.70
12/23/2024	0	False	Matthew West	4,925.59
12/23/2024	0	False	Robert Lasswell	3,742.80
12/23/2024	0	False	Benjamin Parker	5,049.35
12/23/2024	0	False	Damian Ramos	3,428.98
12/23/2024	0	False	Jack Owens	3,042.32
12/23/2024	0	False	Peter O'Donnell	4,733.62
12/23/2024	0	False	Tyler Byrd	3,115.30
12/23/2024	0	False	Christopher Brown	4,305.54

			Partial ACH:	0.00
			Regular ACH:	428,822.34
			Total:	428,822.34
Total Employees:	116			

Accounts Payable

Blanket Voucher Approval Document



User: ITreptow
Printed: 12/02/2024 - 11:13AM
Warrant Request Date: 11/22/2024
DAC Fund:

Batch: 00005.11.2024 - PV 11/22/2024

City of Snoqualmie
Claims presented to the City to be paid in the amount of \$ 360,527.02
for claims warrants numbered 62766 through 62771 & dated 11/22/2024.

Line	Claimant	Voucher No.	Amount
1	Dept. of Labor & Industries	000000000	17,081.87
2	Employment Security Dept.	000000000	1,586.02
3	Employment Security Dept.	000000000	5,378.55
4	Employment Security Dept.	000000000	3,665.70
5	Dept. of Retirement Syst.-LEOFF	000000000	33,134.73
6	IAFF Firepac-Political Affairs Dept.	000062767	2.09
7	Teamsters Local Union #763	000062770	2,293.50
8	IAFF LOCAL #2878	000062768	1,399.20
9	Office of Support Enforcement - DSHS	000000000	664.50
10	Dept of Retirement Syst.-PERS	000000000	47,106.21
11	IRS-Payroll EFTPS	000000000	222,368.71
12	Voya Institutional Trust Company	000000000	225.00
13	CITY OF SNOQUALMIE	000062766	416.68
14	ICMA Retirement Trust -303907	000000000	3,577.31
15	Dept. of Retirement Syst.- DCP	000000000	20,117.95
16	Snoqualmie Police Association	000062769	900.00
17	Western States Police Medical Trust	000062771	609.00

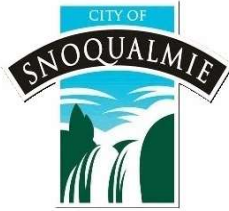
Page Total: \$360,527.02

Grand Total: \$360,527.02

Accounts Payable

Check Detail

User: ITreptow
Printed: 01/14/2025 - 7:47AM



Check Number	Check Date	Amount
--------------	------------	--------

90010 - Dept. of Labor & Industries

0	11/22/2024	
	Inv	
<u>Line Item Date</u>	<u>Line Item Description</u>	
11/21/2024	PR Batch 00004.11.2024 L&I Employee	2,509.87
11/21/2024	PR Batch 00004.11.2024 L&I Employer	14,572.00
	Inv Total	17,081.87
0 Total:		17,081.87

90010 - Dept. of Labor & Industries Total:

17,081.87

90020 - Employment Security Dept.

0	11/22/2024	
	Inv	
<u>Line Item Date</u>	<u>Line Item Description</u>	
11/21/2024	PR Batch 00004.11.2024 Emp Sec- Unemployment Tax	1,586.02
	Inv Total	1,586.02
0 Total:		1,586.02

90020 - Employment Security Dept. Total:

1,586.02

90022 - Employment Security Dept.

0	11/22/2024	
	Inv	
<u>Line Item Date</u>	<u>Line Item Description</u>	
11/21/2024	PR Batch 00004.11.2024 WA Paid Fam. & Med. Leave	3,849.54
11/21/2024	PR Batch 00004.11.2024 WA Paid Fam. & Med. Leave	1,529.01
	Inv Total	5,378.55
0 Total:		5,378.55

90022 - Employment Security Dept. Total:

5,378.55

90023 - Employment Security Dept.

0	11/22/2024		
	Inv		
	<u>Line Item Date</u>	<u>Line Item Description</u>	
	11/21/2024	PR Batch 00004.11.2024 WA Cares	3,665.70
	Inv Total		3,665.70
0 Total:			3,665.70
90023 - Employment Security Dept. Total:			3,665.70
90030 - Dept. of Retirement Syst.-LEOFF			
0	11/22/2024		
	Inv		
	<u>Line Item Date</u>	<u>Line Item Description</u>	
	11/21/2024	PR Batch 00004.11.2024 LEOFF 2 Employee	20,170.16
	11/21/2024	PR Batch 00004.11.2024 LEOFF 2 Employer	12,579.73
	11/21/2024	PR Batch 00004.11.2024 LEOFF 2 CORRECTION ER	384.84
	Inv Total		33,134.73
0 Total:			33,134.73
90030 - Dept. of Retirement Syst.-LEOFF Total:			33,134.73
90035 - IAFF Firepac-Political Affairs Dept.			
62767	11/22/2024		
	Inv		
	<u>Line Item Date</u>	<u>Line Item Description</u>	
	11/21/2024	PR Batch 00004.11.2024 IAFF-FirePac	2.09
	Inv Total		2.09
62767 Total:			2.09
90035 - IAFF Firepac-Political Affairs Dept. Total:			2.09
90040 - Teamsters Local Union #763			
62770	11/22/2024		
	Inv		
	<u>Line Item Date</u>	<u>Line Item Description</u>	
	11/21/2024	PR Batch 00004.11.2024 Teamsters Union Dues	2,293.50
	Inv Total		2,293.50
62770 Total:			2,293.50

90040 - Teamsters Local Union #763 Total: 2,293.50

90045 - IAFF LOCAL #2878

62768 11/22/2024

Inv

<u>Line Item Date</u>	<u>Line Item Description</u>	
11/21/2024	PR Batch 00004.11.2024 IAFF-Local 2878 Fire	1,399.20

Inv Total 1,399.20

62768 Total: 1,399.20

90045 - IAFF LOCAL #2878 Total: 1,399.20

90060 - Office of Support Enforcement - DSHS

0 11/22/2024

Inv

<u>Line Item Date</u>	<u>Line Item Description</u>	
11/21/2024	PR Batch 00004.11.2024 Child Support	664.50

Inv Total 664.50

0 Total: 664.50

90060 - Office of Support Enforcement - DSHS Total: 664.50

90070 - Dept of Retirement Syst.-PERS

0 11/22/2024

Inv

<u>Line Item Date</u>	<u>Line Item Description</u>	
11/21/2024	PR Batch 00004.11.2024 PERS 3 Employee	3,369.03
11/21/2024	PR Batch 00004.11.2024 PERS 3 Employer	5,088.44
11/21/2024	PR Batch 00004.11.2024 PERS2 Employee	15,889.21
11/21/2024	PR Batch 00004.11.2024 PERS 2 Employer	22,759.53

Inv Total 47,106.21

0 Total: 47,106.21

90070 - Dept of Retirement Syst.-PERS Total: 47,106.21

90085 - IRS-Payroll EFTPS

0 11/22/2024

Inv

<u>Line Item Date</u>	<u>Line Item Description</u>	
11/21/2024	PR Batch 00004.11.2024 FICA Employer	36,073.14
11/21/2024	PR Batch 00004.11.2024 Medicare Employee	11,960.07

11/21/2024	PR Batch 00004.11.2024 Medicare Employer	11,684.79
11/21/2024	PR Batch 00004.11.2024 Federal Income Tax	126,577.57
11/21/2024	PR Batch 00004.11.2024 FICA Employee	36,073.14
Inv Total		222,368.71

0 Total: 222,368.71

90085 - IRS-Payroll EFTPS Total: 222,368.71

90095 - Voya Institutional Trust Company

0	11/22/2024	
	Inv	
<u>Line Item Date</u>	<u>Line Item Description</u>	
11/21/2024	PR Batch 00004.11.2024 Voya-Employee	125.00
11/21/2024	PR Batch 00004.11.2024 Voya-Employer	100.00
Inv Total		225.00

0 Total: 225.00

90095 - Voya Institutional Trust Company Total: 225.00

90099 - CITY OF SNOQUALMIE

62766	11/22/2024	
	Inv	
<u>Line Item Date</u>	<u>Line Item Description</u>	
11/21/2024	PR Batch 00004.11.2024 FSA	416.68
Inv Total		416.68

62766 Total: 416.68

90099 - CITY OF SNOQUALMIE Total: 416.68

90100 - ICMA Retirement Trust -303907

0	11/22/2024	
	Inv	
<u>Line Item Date</u>	<u>Line Item Description</u>	
11/21/2024	PR Batch 00004.11.2024 Mission Square percentage	277.31
11/21/2024	PR Batch 00004.11.2024 ICMA-Employer	1,062.50
11/21/2024	PR Batch 00004.11.2024 ICMA-Employee	2,137.50
11/21/2024	PR Batch 00004.11.2024 ICMA-Employer Supplement	100.00
Inv Total		3,577.31

0 Total: 3,577.31

90100 - ICMA Retirement Trust -303907 Total: 3,577.31

90105 - Dept. of Retirement Syst.- DCP

0 11/22/2024

Inv

<u>Line Item Date</u>	<u>Line Item Description</u>	
11/21/2024	PR Batch 00004.11.2024 Defferd Comp Roth Flat	1,846.00
11/21/2024	PR Batch 00004.11.2024 DCP-Employer-Supplement	1,287.50
11/21/2024	PR Batch 00004.11.2024 DCP-Employer	5,318.50
11/21/2024	PR Batch 00004.11.2024 DCP Flat Employee	10,306.47
11/21/2024	PR Batch 00004.11.2024 Deffered Comp Roth Percentage	514.06
11/21/2024	PR Batch 00004.11.2024 Deffered Comp Percentage	845.42

Inv Total 20,117.95

0 Total: 20,117.95

90105 - Dept. of Retirement Syst.- DCP Total: 20,117.95

90180 - Snoqualmie Police Association

62769 11/22/2024

Inv

<u>Line Item Date</u>	<u>Line Item Description</u>	
11/21/2024	PR Batch 00004.11.2024 Police Union Dues	900.00

Inv Total 900.00

62769 Total: 900.00

90180 - Snoqualmie Police Association Total: 900.00

90400 - Western States Police Medical Trust

62771 11/22/2024

Inv

<u>Line Item Date</u>	<u>Line Item Description</u>	
11/21/2024	PR Batch 00004.11.2024 W States Police Medical Trust	609.00

Inv Total 609.00

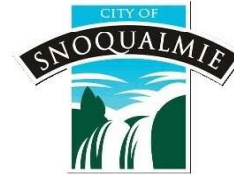
62771 Total: 609.00

90400 - Western States Police Medical Trust Total: 609.00

Total: 360,527.02

Accounts Payable

Blanket Voucher Approval Document



PRV 12-6-24

User: ITreptow
Printed: 12/06/2024 - 12:55PM
Warrant Request Date: 12/6/2024
DAC Fund:

Batch: 00001.12.2024 - PV 12/6/2024

City of Snoqualmie

Claims presented to the City to be paid in the amount of \$ 464,574.92
for claims warrants numbered 62772 through 62779 & dated 12/6/24.

Line	Claimant	Voucher No.	Amount
1	AWC BENEFITS	000000000	181,001.99
2	Dept. of Labor & Industries	000000000	15,094.18
3	Employment Security Dept.	000000000	1,046.86
4	Employment Security Dept.	000000000	3,379.96
5	Employment Security Dept.	000000000	2,458.43
6	Dept. of Retirement Syst.-LEOFF	000000000	30,365.18
7	IAFF Firepac-Political Affairs Dept.	000062774	2.09
8	Teamsters Local Union #763	000062777	2,293.50
9	IAFF LOCAL #2878	000062775	1,399.20
10	Office of Support Enforcement - DSHS	000000000	664.50
11	Dept of Retirement Syst.-PERS	000000000	47,409.66
12	IRS-Payroll EFTPS	000000000	124,284.86
13	Voya Institutional Trust Company	000000000	225.00
14	CITY OF SNOQUALMIE	000062772	416.68
15	ICMA Retirement Trust -303907	000000000	3,727.31
16	Dept. of Retirement Syst.- DCP	000000000	19,612.74
17	AFLAC	000000000	78.13
18	WSCFF	000062779	975.00
19	Snoqualmie Police Association	000062776	900.00
20	DiMartino Associates	000062773	409.50
21	NWFFT TRUST	000000000	28,221.15
22	Western States Police Medical Trust	000062778	609.00

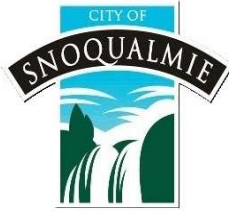
Page Total: \$464,574.92

Grand Total: \$464,574.92

Accounts Payable

Check Detail

User: ITreptow
Printed: 01/14/2025 - 8:04AM



Check Number	Check Date	Amount
--------------	------------	--------

90000 - AWC BENEFITS

0 12/06/2024

Inv

Line Item Date	Line Item Description	Amount
12/05/2024	PR Batch 00001.12.2024 AWC Life Insurance	544.20
12/05/2024	PR Batch 00001.12.2024 AWC-Dental Benefits	12,805.46
12/05/2024	PR Batch 00001.12.2024 Kaiser Medical Benefits/200	2,403.90
12/05/2024	PR Batch 00001.12.2024 AWC Life Insurance Employee	3.30
12/05/2024	PR Batch 00001.12.2024 AWC Long Term Disab. Employee	6.28
12/05/2024	PR Batch 00001.12.2024 AWC - Medical Benefits/HF 250	129,660.52
12/05/2024	PR Batch 00001.12.2024 AWC Long Term Disability	867.35
12/05/2024	PR Batch 00001.12.2024 AWC-Life Insurance Police	990.00
12/05/2024	PR Batch 00001.12.2024 AWC-Vision	1,896.34
12/05/2024	PR Batch 00001.12.2024 AWC-Medical Benefits/HF 500	29,879.02
12/05/2024	PR Batch 00001.12.2024 AWC-Employee Pd Life Add'l	50.40

Inv Total 179,106.77

Inv 12-2024

Line Item Date	Line Item Description	Amount
12/06/2024	Edmund Crosson Medical Premium	1,895.22

Inv 12-2024 Total 1,895.22

0 Total: 181,001.99

90000 - AWC BENEFITS Total: 181,001.99

90010 - Dept. of Labor & Industries

0 12/06/2024

Inv

Line Item Date	Line Item Description	Amount
12/05/2024	PR Batch 00001.12.2024 L&I Employer	12,899.32
12/05/2024	PR Batch 00001.12.2024 L&I Employee	2,194.86

Inv Total 15,094.18

0 Total: 15,094.18

90010 - Dept. of Labor & Industries Total: 15,094.18

90020 - Employment Security Dept.

0	12/06/2024	Inv								
		<table style="width: 100%; border-collapse: collapse;"> <thead> <tr> <th style="text-align: left;"><u>Line Item Date</u></th> <th style="text-align: left;"><u>Line Item Description</u></th> <th style="text-align: right;"></th> </tr> </thead> <tbody> <tr> <td>12/05/2024</td> <td>PR Batch 00001.12.2024 Emp Sec- Unemployment Tax</td> <td style="text-align: right;">1,046.86</td> </tr> </tbody> </table>	<u>Line Item Date</u>	<u>Line Item Description</u>		12/05/2024	PR Batch 00001.12.2024 Emp Sec- Unemployment Tax	1,046.86		
<u>Line Item Date</u>	<u>Line Item Description</u>									
12/05/2024	PR Batch 00001.12.2024 Emp Sec- Unemployment Tax	1,046.86								
		Inv Total		1,046.86						
0 Total:				1,046.86						

90020 - Employment Security Dept. Total:

1,046.86

90022 - Employment Security Dept.

0	12/06/2024	Inv											
		<table style="width: 100%; border-collapse: collapse;"> <thead> <tr> <th style="text-align: left;"><u>Line Item Date</u></th> <th style="text-align: left;"><u>Line Item Description</u></th> <th style="text-align: right;"></th> </tr> </thead> <tbody> <tr> <td>12/05/2024</td> <td>PR Batch 00001.12.2024 WA Paid Fam. & Med. Leave</td> <td style="text-align: right;">965.73</td> </tr> <tr> <td>12/05/2024</td> <td>PR Batch 00001.12.2024 WA Paid Fam. & Med. Leave</td> <td style="text-align: right;">2,414.23</td> </tr> </tbody> </table>	<u>Line Item Date</u>	<u>Line Item Description</u>		12/05/2024	PR Batch 00001.12.2024 WA Paid Fam. & Med. Leave	965.73	12/05/2024	PR Batch 00001.12.2024 WA Paid Fam. & Med. Leave	2,414.23		
<u>Line Item Date</u>	<u>Line Item Description</u>												
12/05/2024	PR Batch 00001.12.2024 WA Paid Fam. & Med. Leave	965.73											
12/05/2024	PR Batch 00001.12.2024 WA Paid Fam. & Med. Leave	2,414.23											
		Inv Total		3,379.96									
0 Total:				3,379.96									

90022 - Employment Security Dept. Total:

3,379.96

90023 - Employment Security Dept.

0	12/06/2024	Inv								
		<table style="width: 100%; border-collapse: collapse;"> <thead> <tr> <th style="text-align: left;"><u>Line Item Date</u></th> <th style="text-align: left;"><u>Line Item Description</u></th> <th style="text-align: right;"></th> </tr> </thead> <tbody> <tr> <td>12/05/2024</td> <td>PR Batch 00001.12.2024 WA Cares</td> <td style="text-align: right;">2,458.43</td> </tr> </tbody> </table>	<u>Line Item Date</u>	<u>Line Item Description</u>		12/05/2024	PR Batch 00001.12.2024 WA Cares	2,458.43		
<u>Line Item Date</u>	<u>Line Item Description</u>									
12/05/2024	PR Batch 00001.12.2024 WA Cares	2,458.43								
		Inv Total		2,458.43						
0 Total:				2,458.43						

90023 - Employment Security Dept. Total:

2,458.43

90030 - Dept. of Retirement Syst.-LEOFF

0	12/06/2024	Inv											
		<table style="width: 100%; border-collapse: collapse;"> <thead> <tr> <th style="text-align: left;"><u>Line Item Date</u></th> <th style="text-align: left;"><u>Line Item Description</u></th> <th style="text-align: right;"></th> </tr> </thead> <tbody> <tr> <td>12/05/2024</td> <td>PR Batch 00001.12.2024 LEOFF 2 Employee</td> <td style="text-align: right;">18,701.46</td> </tr> <tr> <td>12/05/2024</td> <td>PR Batch 00001.12.2024 LEOFF 2 Employer</td> <td style="text-align: right;">11,663.72</td> </tr> </tbody> </table>	<u>Line Item Date</u>	<u>Line Item Description</u>		12/05/2024	PR Batch 00001.12.2024 LEOFF 2 Employee	18,701.46	12/05/2024	PR Batch 00001.12.2024 LEOFF 2 Employer	11,663.72		
<u>Line Item Date</u>	<u>Line Item Description</u>												
12/05/2024	PR Batch 00001.12.2024 LEOFF 2 Employee	18,701.46											
12/05/2024	PR Batch 00001.12.2024 LEOFF 2 Employer	11,663.72											
		Inv Total		30,365.18									
0 Total:				30,365.18									

90030 - Dept. of Retirement Syst.-LEOFF Total: 30,365.18

90035 - IAFF Firepac-Political Affairs Dept.

62774 12/06/2024

Inv

<u>Line Item Date</u>	<u>Line Item Description</u>	
12/05/2024	PR Batch 00001.12.2024 IAFF-FirePac	2.09

Inv Total 2.09

62774 Total: 2.09

90035 - IAFF Firepac-Political Affairs Dept. Total: 2.09

90040 - Teamsters Local Union #763

62777 12/06/2024

Inv

<u>Line Item Date</u>	<u>Line Item Description</u>	
12/05/2024	PR Batch 00001.12.2024 Teamsters Union Dues	2,293.50

Inv Total 2,293.50

62777 Total: 2,293.50

90040 - Teamsters Local Union #763 Total: 2,293.50

90045 - IAFF LOCAL #2878

62775 12/06/2024

Inv

<u>Line Item Date</u>	<u>Line Item Description</u>	
12/05/2024	PR Batch 00001.12.2024 IAFF-Local 2878 Fire	1,399.20

Inv Total 1,399.20

62775 Total: 1,399.20

90045 - IAFF LOCAL #2878 Total: 1,399.20

90060 - Office of Support Enforcement - DSHS

0 12/06/2024

Inv

<u>Line Item Date</u>	<u>Line Item Description</u>	
12/05/2024	PR Batch 00001.12.2024 Child Support	664.50

Inv Total 664.50

0 Total: 664.50

90060 - Office of Support Enforcement - DSHS Total: 664.50

90070 - Dept of Retirement Syst.-PERS

0 12/06/2024
 Inv

<u>Line Item Date</u>	<u>Line Item Description</u>	
12/05/2024	PR Batch 00001.12.2024 PERS 3 Employer	5,260.35
12/05/2024	PR Batch 00001.12.2024 PERS2 Employee	15,883.18
12/05/2024	PR Batch 00001.12.2024 PERS 3 Employee	3,515.28
12/05/2024	PR Batch 00001.12.2024 PERS 2 Employer	22,750.85
Inv Total		47,409.66

0 Total: 47,409.66

90070 - Dept of Retirement Syst.-PERS Total: 47,409.66

90085 - IRS-Payroll EFTPS

0 12/06/2024
 Inv

<u>Line Item Date</u>	<u>Line Item Description</u>	
12/05/2024	PR Batch 00001.12.2024 FICA Employer	23,476.76
12/05/2024	PR Batch 00001.12.2024 Medicare Employer	7,671.88
12/05/2024	PR Batch 00001.12.2024 FICA Employee	23,476.76
12/05/2024	PR Batch 00001.12.2024 Federal Income Tax	61,701.62
12/05/2024	PR Batch 00001.12.2024 Medicare Employee	7,957.84
Inv Total		124,284.86

0 Total: 124,284.86

90085 - IRS-Payroll EFTPS Total: 124,284.86

90095 - Voya Institutional Trust Company

0 12/06/2024
 Inv

<u>Line Item Date</u>	<u>Line Item Description</u>	
12/05/2024	PR Batch 00001.12.2024 Voya-Employee	125.00
12/05/2024	PR Batch 00001.12.2024 Voya-Employer	100.00
Inv Total		225.00

0 Total: 225.00

90095 - Voya Institutional Trust Company Total: 225.00

90099 - CITY OF SNOQUALMIE

62772 12/06/2024

Inv

<u>Line Item Date</u>	<u>Line Item Description</u>	
12/05/2024	PR Batch 00001.12.2024 FSA	416.68

Inv Total 416.68

62772 Total: 416.68

90099 - CITY OF SNOQUALMIE Total: 416.68

90100 - ICMA Retirement Trust -303907

0 12/06/2024

Inv

<u>Line Item Date</u>	<u>Line Item Description</u>	
12/05/2024	PR Batch 00001.12.2024 ICMA-Employer Supplement	100.00
12/05/2024	PR Batch 00001.12.2024 ICMA-Employer	1,087.50
12/05/2024	PR Batch 00001.12.2024 Mission Square percentage	277.31
12/05/2024	PR Batch 00001.12.2024 ICMA-Employee	2,262.50

Inv Total 3,727.31

0 Total: 3,727.31

90100 - ICMA Retirement Trust -303907 Total: 3,727.31

90105 - Dept. of Retirement Syst.- DCP

0 12/06/2024

Inv

<u>Line Item Date</u>	<u>Line Item Description</u>	
12/05/2024	PR Batch 00001.12.2024 Deffered Comp Percentage	240.16
12/05/2024	PR Batch 00001.12.2024 Deffered Comp Roth Percentage	497.58
12/05/2024	PR Batch 00001.12.2024 DCP-Employer	5,218.50
12/05/2024	PR Batch 00001.12.2024 Defferd Comp Roth Flat	2,061.00
12/05/2024	PR Batch 00001.12.2024 DCP Flat Employee	10,308.00
12/05/2024	PR Batch 00001.12.2024 DCP-Employer-Supplement	1,287.50

Inv Total 19,612.74

0 Total: 19,612.74

90105 - Dept. of Retirement Syst.- DCP Total: 19,612.74

90110 - AFLAC

0 12/06/2024

Inv		
<u>Line Item Date</u>	<u>Line Item Description</u>	
12/05/2024	PR Batch 00001.12.2024 AFLAC-Pre Tax	78.13
Inv Total		78.13
		78.13
0 Total:		78.13
90110 - AFLAC Total:		78.13
90120 - WSCFF		
62779	12/06/2024	
Inv		
<u>Line Item Date</u>	<u>Line Item Description</u>	
12/05/2024	PR Batch 00001.12.2024 WSCFF-BENEFIT TRUST FF ER	975.00
Inv Total		975.00
		975.00
62779 Total:		975.00
90120 - WSCFF Total:		975.00
90180 - Snoqualmie Police Association		
62776	12/06/2024	
Inv		
<u>Line Item Date</u>	<u>Line Item Description</u>	
12/05/2024	PR Batch 00001.12.2024 Police Union Dues	900.00
Inv Total		900.00
		900.00
62776 Total:		900.00
90180 - Snoqualmie Police Association Total:		900.00
90300 - DiMartino Associates		
62773	12/06/2024	
Inv		
<u>Line Item Date</u>	<u>Line Item Description</u>	
12/05/2024	PR Batch 00001.12.2024 Brown & Brown DBA DiMartino	409.50
Inv Total		409.50
		409.50
62773 Total:		409.50
90300 - DiMartino Associates Total:		409.50

90310 - NWFFT TRUST

0 12/06/2024

Inv

<u>Line Item Date</u>	<u>Line Item Description</u>	
12/05/2024	PR Batch 00001.12.2024 Medical/Vision Benefits	25,939.54
12/05/2024	PR Batch 00001.12.2024 Dental Benefits	2,281.61

Inv Total 28,221.15

0 Total: 28,221.15

90310 - NWFFT TRUST Total: 28,221.15

90400 - Western States Police Medical Trust

62778 12/06/2024

Inv

<u>Line Item Date</u>	<u>Line Item Description</u>	
12/05/2024	PR Batch 00001.12.2024 W States Police Medical Trust	609.00

Inv Total 609.00

62778 Total: 609.00

90400 - Western States Police Medical Trust Total: 609.00

Total: 464,574.92

Accounts Payable

Blanket Voucher Approval Document



User: ITreptow
Printed: 12/23/2024 - 4:24PM
Warrant Request Date: 12/23/2024
DAC Fund:

PRV 12/23/24

Batch: 00003.12.2024 - PV 12/23/2024

City of Snoqualmie
Claims presented to the City to be paid in the amount of \$ 296,063.57
for claims warrants numbered 62793 through 62798 & dated 12/23/24.

Line	Claimant	Voucher No.	Amount
1	Dept. of Labor & Industries	000000000	17,023.39
2	Employment Security Dept.	000000000	1,218.31
3	Employment Security Dept.	000000000	3,726.19
4	Employment Security Dept.	000000000	2,779.69
5	Dept. of Retirement Syst.-LEOFF	000000000	41,165.95
6	IAFF Firepac-Political Affairs Dept.	000062794	2.09
7	Teamsters Local Union #763	000062797	2,418.00
8	IAFF LOCAL #2878	000062795	1,653.60
9	Office of Support Enforcement - DSHS	000000000	1,142.60
10	Dept of Retirement Syst.-PERS	000000000	48,600.92
11	IRS-Payroll EFTPS	000000000	152,101.83
12	Voya Institutional Trust Company	000000000	225.00
13	CITY OF SNOQUALMIE	000062793	416.68
14	ICMA Retirement Trust -303907	000000000	3,753.03
15	Dept. of Retirement Syst.- DCP	000000000	18,327.29
16	Snoqualmie Police Association	000062796	900.00
17	Western States Police Medical Trust	000062798	609.00

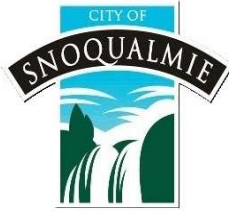
Page Total: \$296,063.57

Grand Total: \$296,063.57

Accounts Payable

Check Detail

User: ITreptow
Printed: 01/14/2025 - 8:14AM



Check Number	Check Date	Amount
--------------	------------	--------

90010 - Dept. of Labor & Industries

0	12/23/2024	
	Inv	
<u>Line Item Date</u>	<u>Line Item Description</u>	
12/20/2024	PR Batch 00002.12.2024 L&I Employer	14,497.19
12/20/2024	PR Batch 00002.12.2024 L&I Employee	2,526.20
	Inv Total	17,023.39
0 Total:		17,023.39

90010 - Dept. of Labor & Industries Total:

17,023.39

90020 - Employment Security Dept.

0	12/23/2024	
	Inv	
<u>Line Item Date</u>	<u>Line Item Description</u>	
12/20/2024	PR Batch 00002.12.2024 Emp Sec- Unemployment Tax	1,218.31
	Inv Total	1,218.31
0 Total:		1,218.31

90020 - Employment Security Dept. Total:

1,218.31

90022 - Employment Security Dept.

0	12/23/2024	
	Inv	
<u>Line Item Date</u>	<u>Line Item Description</u>	
12/20/2024	PR Batch 00002.12.2024 WA Paid Fam. & Med. Leave	1,064.62
12/20/2024	PR Batch 00002.12.2024 WA Paid Fam. & Med. Leave	2,661.57
	Inv Total	3,726.19
0 Total:		3,726.19

90022 - Employment Security Dept. Total:

3,726.19

90023 - Employment Security Dept.

0	12/23/2024		
	Inv		
	<u>Line Item Date</u>	<u>Line Item Description</u>	
	12/20/2024	PR Batch 00002.12.2024 WA Cares	2,779.69
	Inv Total		2,779.69
			2,779.69
0 Total:			2,779.69
90023 - Employment Security Dept. Total:			2,779.69
90030 - Dept. of Retirement Syst.-LEOFF			
0	12/23/2024		
	Inv		
	<u>Line Item Date</u>	<u>Line Item Description</u>	
	12/20/2024	PR Batch 00002.12.2024 LEOFF 2 Employer	15,653.56
	12/20/2024	PR Batch 00002.12.2024 LEOFF 2 Employee	25,512.39
	Inv Total		41,165.95
			41,165.95
0 Total:			41,165.95
90030 - Dept. of Retirement Syst.-LEOFF Total:			41,165.95
90035 - IAFF Firepac-Political Affairs Dept.			
62794	12/23/2024		
	Inv		
	<u>Line Item Date</u>	<u>Line Item Description</u>	
	12/20/2024	PR Batch 00002.12.2024 IAFF-FirePac	2.09
	Inv Total		2.09
			2.09
62794 Total:			2.09
90035 - IAFF Firepac-Political Affairs Dept. Total:			2.09
90040 - Teamsters Local Union #763			
62797	12/23/2024		
	Inv		
	<u>Line Item Date</u>	<u>Line Item Description</u>	
	12/20/2024	PR Batch 00002.12.2024 Teamsters Union Dues	2,418.00
	Inv Total		2,418.00
			2,418.00
62797 Total:			2,418.00

90040 - Teamsters Local Union #763 Total: 2,418.00

90045 - IAFF LOCAL #2878

62795 12/23/2024

Inv

<u>Line Item Date</u>	<u>Line Item Description</u>	
12/20/2024	PR Batch 00002.12.2024 IAFF-Local 2878 Fire	1,653.60

Inv Total 1,653.60

62795 Total: 1,653.60

90045 - IAFF LOCAL #2878 Total: 1,653.60

90060 - Office of Support Enforcement - DSHS

0 12/23/2024

Inv

<u>Line Item Date</u>	<u>Line Item Description</u>	
12/20/2024	PR Batch 00002.12.2024 Child Support	1,142.60

Inv Total 1,142.60

0 Total: 1,142.60

90060 - Office of Support Enforcement - DSHS Total: 1,142.60

90070 - Dept of Retirement Syst.-PERS

0 12/23/2024

Inv

<u>Line Item Date</u>	<u>Line Item Description</u>	
12/20/2024	PR Batch 00002.12.2024 PERS2 Employee	16,430.81
12/20/2024	PR Batch 00002.12.2024 PERS 3 Employee	3,472.64
12/20/2024	PR Batch 00002.12.2024 PERS 3 Employer	5,162.18
12/20/2024	PR Batch 00002.12.2024 PERS 2 Employer	23,535.29

Inv Total 48,600.92

0 Total: 48,600.92

90070 - Dept of Retirement Syst.-PERS Total: 48,600.92

90085 - IRS-Payroll EFTPS

0 12/23/2024

Inv

<u>Line Item Date</u>	<u>Line Item Description</u>	
12/20/2024	PR Batch 00002.12.2024 Medicare Employee	9,518.25
12/20/2024	PR Batch 00002.12.2024 FICA Employer	27,177.74

12/20/2024	PR Batch 00002.12.2024 Federal Income Tax	79,242.29
12/20/2024	PR Batch 00002.12.2024 Medicare Employer	8,985.81
12/20/2024	PR Batch 00002.12.2024 FICA Employee	27,177.74
Inv Total		152,101.83
0 Total:		152,101.83
90085 - IRS-Payroll EFTPS Total:		152,101.83
90095 - Voya Institutional Trust Company		
0	12/23/2024	
	Inv	
<u>Line Item Date</u>	<u>Line Item Description</u>	
12/20/2024	PR Batch 00002.12.2024 Voya-Employee	125.00
12/20/2024	PR Batch 00002.12.2024 Voya-Employer	100.00
Inv Total		225.00
0 Total:		225.00
90095 - Voya Institutional Trust Company Total:		225.00
90099 - CITY OF SNOQUALMIE		
62793	12/23/2024	
	Inv	
<u>Line Item Date</u>	<u>Line Item Description</u>	
12/20/2024	PR Batch 00002.12.2024 FSA	416.68
Inv Total		416.68
62793 Total:		416.68
90099 - CITY OF SNOQUALMIE Total:		416.68
90100 - ICMA Retirement Trust -303907		
0	12/23/2024	
	Inv	
<u>Line Item Date</u>	<u>Line Item Description</u>	
12/20/2024	PR Batch 00002.12.2024 ICMA-Employer	1,087.50
12/20/2024	PR Batch 00002.12.2024 ICMA-Employee	2,162.50
12/20/2024	PR Batch 00002.12.2024 Mission Square percentage	403.03
12/20/2024	PR Batch 00002.12.2024 ICMA-Employer Supplement	100.00
Inv Total		3,753.03
0 Total:		3,753.03

90100 - ICMA Retirement Trust -303907 Total: 3,753.03

90105 - Dept. of Retirement Syst.- DCP

0 12/23/2024

Inv

<u>Line Item Date</u>	<u>Line Item Description</u>	
12/20/2024	PR Batch 00002.12.2024 DCP-Employer	5,218.50
12/20/2024	PR Batch 00002.12.2024 Deffered Comp Roth Percentage	1,090.63
12/20/2024	PR Batch 00002.12.2024 DCP-Employer-Supplement	1,212.50
12/20/2024	PR Batch 00002.12.2024 DCP Flat Employee	8,317.00
12/20/2024	PR Batch 00002.12.2024 Defferd Comp Roth Flat	2,061.00
12/20/2024	PR Batch 00002.12.2024 Deffered Comp Percentage	427.66

Inv Total 18,327.29

0 Total: 18,327.29

90105 - Dept. of Retirement Syst.- DCP Total: 18,327.29

90180 - Snoqualmie Police Association

62796 12/23/2024

Inv

<u>Line Item Date</u>	<u>Line Item Description</u>	
12/20/2024	PR Batch 00002.12.2024 Police Union Dues	900.00

Inv Total 900.00

62796 Total: 900.00

90180 - Snoqualmie Police Association Total: 900.00

90400 - Western States Police Medical Trust

62798 12/23/2024

Inv

<u>Line Item Date</u>	<u>Line Item Description</u>	
12/20/2024	PR Batch 00002.12.2024 W States Police Medical Trust	609.00

Inv Total 609.00

62798 Total: 609.00

90400 - Western States Police Medical Trust Total: 609.00

Total: 296,063.57






Claims Approval Report for F&A Committee

Final Audit Report

2025-01-15

Created:	2025-01-15
By:	Tania Holden (THolden@snoqualmiewa.gov)
Status:	Signed
Transaction ID:	CBJCHBCAABAArnv5kD81uE9y7_tcFbgdiPOUHzDd2ldY

"Claims Approval Report for F&A Committee" History

-  Document created by Tania Holden (THolden@snoqualmiewa.gov)
2025-01-15 - 7:13:47 PM GMT
-  Document emailed to Drew Bouta (dbouta@snoqualmiewa.gov) for signature
2025-01-15 - 7:16:00 PM GMT
-  Email viewed by Drew Bouta (dbouta@snoqualmiewa.gov)
2025-01-15 - 8:57:45 PM GMT
-  Document e-signed by Drew Bouta (dbouta@snoqualmiewa.gov)
Signature Date: 2025-01-15 - 8:58:03 PM GMT - Time Source: server
-  Agreement completed.
2025-01-15 - 8:58:03 PM GMT

Council Agenda Bill

AB Number

AB25-010

Agenda Bill Information

Title*

Snoqualmie Design and Construction Standards Task Order

Action*

Motion

Proposed Motion

Motion to Approve Contract and Authorize Work, Design and Construction Standards

Council Agenda Section

Committee Report

Council Meeting Date*

01/27/2025

Staff Member

Emily Arteche

Department*

Community Development

Committee

Finance and Administration

Committee Date

01/22/2025

Exhibits

Packet Attachments - if any

Ordinance 0483.pdf	1.77MB
Perteet Inc Consultant (Professional) Services Contract_Design and Construction Standards.docx	66.88KB
Exhibits A and B Design and Construction Standards Task Order, Scope and Budget.pdf	852.7KB

Summary

Introduction*

This agenda item is associated with a Contract and Task Order with Perteet, Inc. Engineering to create a set of City of Snoqualmie Design and Construction Standards based on Snoqualmie Ridge, which could be used citywide on all development projects and city capital improvement projects through a future update to the Snoqualmie Municipal Code.

Background / Overview*

Design standards outline the requirements for streets and related construction in areas where new development is proposed and for improvements to existing development. The city practices have been to use Snoqualmie Ridge Development Standards which includes details for streets, stormwater drainage, water, sanitary sewer, erosion and sedimentation control, lighting, landscaping and irrigation, buffers,

signage, etc...

The previous legislative update to the Snoqualmie Municiple Code Design Standards for Streets was adopted by Ordinance 483 in 1980. The Snoqualmie Municiple Code, SMC 12.16.780 Design Standard Detail and Drawings calls for the city engineer to prepare, update and maintain standard design detail and drawings supplementing and illustrating the design standards.

Analysis*

This scope of services is pursuant to SMC 4.7.1 Sole Source. In certain circumstances the city is limited to a single source of supply and competitive bidding requirements may be waived by the department director per RCW

39.04.280(1)(a). The city must be able to demonstrate that the purchase is clearly and legitimately limited to a single source such that bidding the purchase would be useless and futile based on drafted specifications. In this case, the construction documents regulating Snoqualmie Ridge 1 and 2 were implemented by Perteet Engineering since the Ridge construction began. Perteet Inc. engineering is the single source to evaluate the current Snoqualmie Ridge II Development Standards and prepare an updated set of recommended standards. Drawings shall be modified, added to, or deleted, all as determined by the city engineer, in accordance with good engineering practice.

An update to the Snoqualmie Ridge Development Standards text and drawings with input the from field staff and City Departments will allow the city to capture the city's best engineering practices into a consolidated set of standards ready for future implementation.

Budgetary Status*

Funds have already been authorized in this year's budget.

Fiscal Impact

Amount of Expenditure	Amount Budgeted	Appropriation Requested
\$156,454.00	\$2,468,414.00	\$0.00

Budget Summary

Administration recommends approving the Perteet contract totaling \$156,454 for updating design and construction standards. These expenditures were incorporated within the 2025-2026 Biennial Budget within the Community Development (#001) classification, which appropriated \$2,468,414 for services. This budget is encumbered by \$995,444 in outstanding contract value and internal service charges, as shown in the following table. With the addition of the Perteet contract, the remaining biennial budget appropriation is \$1,316,516 for Community Development services. Therefore, sufficient appropriation exists within the 2025-2026 Biennial Budget to fund the contract.

Fiscal Impact Screenshot

Community Development (#001)**2025-2026 Biennial Budget**

Beginning Budget	\$	2,468,414
Expenditures	\$	-
Outstanding Contract Value & Internal Service Charges	\$	(995,444)
Current Available Budget	\$	1,472,970
Value of this Expenditure (AB25-010)	\$	(156,454)
Available Budget after AB25-010	\$	1,316,516

Notes

An Ordinance relating to and establishing standard specifications and design standards for Streets, Plat Roads, and related construction on the City right-of-way (existing & proposed) for the City of Snoqualmie and defining an offense and providing a penalty, and establishing the effective date thereof.

SECTION I - DEFINITIONS OF TERMS:

The following words, terms, and titles, or pronouns and abbreviations used in place of them, shall be construed as defined below.

1.1 CITY The City of Snoqualmie, King County, Washington.

1.2 CITY COUNCIL The regularly constituted Council and Mayor of the City.

1.3 STREET COMMITTEE The committee, composed of members of the City Council, appointed by the Mayor to investigate, study and report to the City Council on matters pertaining to streets and related subjects.

1.4 CITY PLANNING COMMISSION The regularly constituted Planning Commission of the City.

1.5 KING COUNTY ROAD STANDARDS The current Road Standards adopted by King County.

1.6 BUILDING DEPARTMENT The Building Department of the City or such other agencies contracted with by the City to perform specialized Building Department functions.

1.7 PUBLIC WORKS DEPARTMENT The Public Works Department of the City.

1.8 CITY ENGINEER The Engineer appointed by the City Council to serve as Engineer for the City. The word "Engineer" is sometimes used in text as inspector.

1.9 INSPECTOR The person assigned by the City to inspect the various street improvement projects, which person or combination of persons may be a member of the City's Consulting Engineering Firm, City Engineer or the City Superintendent, or any other person assigned, acting under the orders of the Mayor and City Council; their authority being limited to the particular duties to which they are assigned.

1.10 DEVELOPER The individual, firm, partnership, corporation, or combination thereof, proposing to perform, performing, or having work performed under contractual agreement in the public right-of-way or in areas to be dedicated to public use, such as in a proposed plat.

1.11 CONTRACTOR The individual, firm, partnership, corporation, or combination thereof, proposing to perform, or performing work under contractual agreement with a developer, in the public right-of-way or in areas to be dedicated to public use, such as in a proposed plat.

1.12 BUILDER The individual, firm, partnership or corporation, or combination thereof, proposing to perform, or performing work in the public right-of-way or in areas to be dedicated to public use, whether under contractual agreement or not.

1.13 PRIVATE PROPERTY OWNER The owner or owners of one or more parcels of land, desiring to perform work or have work performed in the public right-of-way, shall be considered as a Builder as defined in Paragraph 1.12, above.

1.14 PROFESSIONAL ENGINEER A professional engineer licensed and registered in the State of Washington.

1.15 REGISTERED LAND SURVEYOR A land surveyor licensed and registered as a Land Surveyor in the State of Washington.

1.16 NEW CONSTRUCTION The building of a new roadway or structure on new alignment, or the upgrading of an existing roadway or structure by the addition of one or more lane widths. New construction shall include public utilities.

1.17 RECONSTRUCTION The following types of projects are classed as reconstruction and these design standards do not apply:

(a) Modernization of an existing highway by resurfacing, widening less than a single lane width, adding shoulders or adding turn lanes at intersections. When adding turn lanes, the existing thru lanes shall not be narrowed below their existing width.

(b) Temporary replacement of a highway facility, which is commenced immediately after the occurrence of a natural disaster or catastrophic failure, to restore the highway for the health, welfare and safety of the public.

1.18 ROADWAY WIDTH The portion of a highway between curbs or including shoulders, intended for vehicular use. This definition is for use in these design standards only.

1.19 WALKWAY A continuous way designated for pedestrians, and separated from the through lanes for motor vehicles by a curb, space or barrier.

1.20 DRAINAGE GUIDELINES Refer to "requirements & Guidelines for Drainage Control in King County" adopted as the City Standard.

SECTION II - GENERAL REQUIREMENTS

It is the intent of these Design Standards to outline the minimum requirements for streets, and related construction, in areas where new development is proposed and for improvements to existing developments.

It is recognized that deviations from these standards may be necessary on projects which have special or limiting requirements and it is herein emphasized that each project will be considered on an individual basis. The requirements of these Design Standards do not relieve a developer, contractor, builder, or private property owner from his responsibility to comply with the requirements of other codes, standards or ordinances applicable to the planning and construction of improvements as agreed upon with the City.

This Ordinance shall apply to improvements on property other than new plats, wherein the property utilizes existing or proposed public right-of-way. Improvements shall include new buildings, remodeling, parking lots, etc. requiring construction of streets and utilities deemed necessary by the City. Necessity shall be determined by the function of the improvement, community safety and welfare, and shall include aesthetics.

This Ordinance applies if the building exterior is remodeled on one or more faces.

Minimum requirements for single family residential buildings shall be installation and/or replacement of sidewalk. Development of three (3) or more contiguous single family residential buildings will require street construction (half or full section) complete with required utilities.

Commercial and multi-family buildings shall construct the necessary streets, sidewalks and utilities, etc extended beyond the property as deemed necessary by the City. Water Mains shall be improved to meet fire flow requirements as established by the Fire Marshall and the City.

SECTION III - GENERAL PROCEDURE FOR PROJECT APPROVAL

All proposed plats and/or other improvements utilizing proposed or existing public right-of-way must be approved by the City Council prior to construction. Persons wishing to record a plat or to construct an improvement utilizing the public right-of-way (existing or future) shall first meet with the City of Snoqualmie to plan and work out the specific requirements of the proposed improvements.

The developer will be required to receive the following approvals before final approval of the proposed development will be granted:

1. Snoqualmie City Council and Planning Commission approval of general concept.
2. Washington State Department of Social & Health Services (DSHS), approval of all projects having to do with public or private water supply systems.
3. Washington State Department of Ecology (D.O.E.), approval of all projects having to do with public or private sewerage disposal systems.
4. Washington State Fisheries Department and Game Department approval of all projects which affect any stream, river or lake in any way whatsoever.
5. Washington State Department of Ecology (D.O.E.), approval of all projects within a State declared flood plain zone, and/or within a State declared shoreline management zone.
6. Snoqualmie City Council approval of final plat map and all related construction drawings (street, storm, sanitary, water, with details etc.), subject to posting of performance bond if applicable
7. Any other approvals that may be necessary depending on the nature and location of the proposed project.

SECTION IV

4.1 NEW CONSTRUCTION MINIMUM STANDARDS FOR DESIGN OF STREETS

- (1) Structural Design: Design procedures shall conform to accepted engineering practices approved by a registered professional engineer.
- (2) Vertical clearance above the paved roadway surface shall be a minimum of 16.5 feet. Vertical clearance of structures above the walkway surface shall be a minimum of 8.0 feet.
- (3) Lateral Clearance: The lateral clearance between curb face and the closest part of any fixed object (excluding traffic control signs and break away supports), shall be at least 3 feet.
- (4) Bridges: Bridges shall be designed to the requirements set forth in the latest American Association of State Highway and Transportation Officials, (AASHTO) Standard Specifications for Highway Bridges. Bridges shall have a minimum roadway width of 28 feet. Sidewalks shall be in addition. Design live loading for all bridges shall be not less than HS 20-44.
- (5) Roadway Geometrics: Design(s) shall be based upon accepted engineering practices and current AASHTO standards.
- (6) Construction Specifications: Current editions of Standard Specifications of the Washington State Department of Transportation (WSDOT), or the American Public Works Association, (APWA), shall be used.
- (7) Traffic Control: All traffic control devices shall conform to the Manual on Uniform Traffic Control Devices, (MUTCD), as modified by the Washington State Transportation Commission.
- (8) Pedestrian Facilities: There shall be a minimum 4 foot (clear) surfaced walkway on each side of the street unless topography or other special conditions favor one walkway only. The City will designate the minimum width and locations of walkways.

- (9) Bridge Railings: Where an approach rail is required, it will be made continuous with the bridge railing. Railing height for pedestrian only traffic is 3'-6", for bicycles only is 4'-6", for combined is 4'-6". When concrete barriers are used to separate vehicles from pedestrians and bicycles, the 32" concrete barrier shall have a metal rail extension providing a total height of 4'-6".
- (10) Ramps for the Handicapped: Ramps shall be included in all construction. RCW 35.68.075 "Curb Ramps for Physically Handicapped Required," as amended by Ch. 137, "Sidewalk Ramps," Washington Laws, 1977 First Extraordinary Session.

4.2 GENERAL GUIDELINES FOR NEW CONSTRUCTION

- (1) Lateral Clearance.
- (a) Location of utility poles near the edge of the right-of-way should be considered.
 - (b) Breakaway designs for traffic control devices and lighting should not be used where the falling object could create a hazard to pedestrian traffic.
 - (c) Where edge of right-of-way locations are not feasible for utilities, it is desirable that all trees, utility supports, etc., be placed a uniform distance from the curb. Clearance to trees should account for estimated trunk diameter at maturity.
- (2) Utility Location - Except as noted under "Lateral Clearance" above, local standards for utility locations should be followed.
- (3) Railroad Grade Crossings - Flashing light signals which indicate the approach or presence of trains should be installed at those railroad-highway grade crossings where studies by qualified engineers indicate the need of warning beyond that provided by signs and markings.
- (4) Storm Drainage - Normally, storm drainage should be handled by underground collection systems but other means may be used where permitted.
- (5) Off Street Parking - if existing conditions do not allow the construction of a street to the minimum width, consideration should be given to removing the parking lanes and constructing strategically located parking lots.
- (6) Safety Features.
- (a) Guardrail installation should be considered to protect vehicle occupants where roadside obstacles cannot be removed or designed to yield upon impact.
 - (b) Supports for traffic control devices and lighting, including mast arm or span wires, should be designed to yield or breakaway under impact unless the breakaway design will endanger pedestrian or vehicular traffic.
 - (c) Guardrails or other design features which protect people from out of control vehicles at locations such as playgrounds, school yards, and commercial areas should be considered.
 - (d) Bridge rail designs which minimize the severity of impact and retain or redirect the encroaching vehicle should be considered.

4.3 DESIGN DETAILS FOR CITY STREETS

A. NEIGHBORHOOD COLLECTOR STREETS, NEW CONSTRUCTION

- (1) Function: To collect and distribute traffic from higher-type arterial streets to access streets, or directly to traffic destinations: to serve neighborhood traffic generators such as one store or small group of stores, elementary schools, churches, club houses, small hospitals or clinics, small apartment areas, etc.

- (2) Planning Features: Should function as an arterial street only within one neighborhood, and should serve traffic only with an origin or destination within that neighborhood.
- (3) Access Conditions: Intersections at grade with direct access to adjacent property permitted.
- (4) Traffic Features: Traffic control measures as warranted, but not to encourage traffic with trips through the neighborhood. Parking restricted as necessary.

AVERAGE DAILY TRAFFIC	500-5,000		
HORIZONTAL CURVATURE	MAX.	MIN.	D=Degrees
	D	R	R=Radius in Feet.
	(°)	(FT)	
Flat Terrain	8.0	715	
Rolling Terrain	14	410	
Mountainous Terrain	21	275	(Superelevation Required)

MAXIMUM GRADES

Flat Terrain	7%
Rolling Terrain	10%
Mountainous Terrain	12%

These grades may be exceeded for short distances when approved by Council

MINIMUM TWO (2) LANE PAVEMENT WIDTH 24Ft

Number of Lanes (Min). 2/w parking

MINIMUM ROADWAY WIDTH

With Curbs: No Parking	28Ft. (Not Recommended)
Parking One Side	32Ft
Parking Both Sides	40Ft (Min. for Bus Route)

NEW BRIDGES

Roadway Width (Min).	Not less than approach roadway width
Design Load (AASHTO)	HS 20-44
Vertical Clearance (Min).	16.5Ft.
RIGHT OF WAY WIDTH (Min).	60Ft.

B. ACCESS STREETS, NEW CONSTRUCTION

- (1) Function: To provide access to adjacent property
- (2) Planning Features: Should be designed and located to prevent continuous or unobstructed flow of traffic through a neighborhoods.
- (3) Access Conditions: Intersections at grade with direct access to adjacent property.
- (4) Traffic Features: Traffic control measures as warranted to provide adequate sight distance and safety.

AVERAGE DAILY TRAFFIC	Variable; usually less than 600		
HORIZONTAL CURVATURE	MAX.	MIN.	D=Degrees
	D	R	R=Radius in Feet
	(°)	(FT)	
Flat Terrain	14	410	
Rolling Terrain	28.5	200	
Mountainous Terrain	50	115	(Superelevation Required)

MAXIMUM GRADES

Flat Terrain	8%
Rolling Terrain	12%
Mountainous Terrain	15%

These grades may be exceeded for short distances when approved by Council

MINIMUM TWO (2) LANE PAVEMENT WIDTH	Varies from 22' to 20'
MINIMUM ROADWAY WIDTH	
With Curbs No Parking	26ft.
Parking One Side	30ft
Parking Both Sides	36ft (40' if Bus Route)
NEW BRIDGES	
Roadway Width (Min).	Greater than or equal to to the approach roadway but not less than 28ft.
Design Load (AASHTO)	HS 20-44
Vertical Clearance (Min).	16.5ft
RIGHT OF WAY WIDTH (Min).	60ft.

SECTION V - DRAINAGE

5.1 DRAINAGE PLAN

Drainage facilities on City roads shall generally conform to Requirements & Guidelines for Drainage Control in King County, current edition. This is hereafter referred to as "Drainage Guidelines." Note the requirements for a drainage plan, beginning on page 1 of that publication, and "Drainage Policies and/or Recommendations," which follows in the latter part of the same manual. This drainage plan shall be submitted either integral with the plan and profile for the road design, if graphic space permits, or on separate plan and data sheets. In either case the drainage plan shall include runoff calculations keyed to topographic maps; location, specific size, grade, and elevation data on all hydraulic features; and facilities for retention and for grease and siltation control.

5.2 STORM DRAINS IN CURB & GUTTER SECTION

- A. Underground storm drainage shall be provided for curb street section whenever the length of surface drainage exceeds 300 feet on road grade extending either direction from crest or sag of vertical curves.
- B. Storm drain pipe other than pipe connecting inlets to main storm drain shall be minimum 12-inch diameter and of specified rubber-gasketed corrugated metal or rubber-gasketed concrete pipe. Runoff shall be computed and, if the flow requires it, larger pipe shall be used.
- C. Storm drain pipe connecting inlets to main storm drain by structure, i.e., catch basin or manhole, shall be minimum 8-inch diameter rubber-gasketed corrugated metal or rubber-gasketed concrete pipe, with maximum length of 55 feet.
- D. Connections of storm drain pipe leading from an inlet location may be made into a main storm drain without structure, subject to case-by-case approval by the Engineer and subject to the following requirements:
 - 1. The inletting structure shall be a catch basin and not a simple inlet lacking a catch or drop section.
 - 2. Inlet-connection and main storm drain pipes shall be of same material and type, either rubber-gasketed corrugated metal or rubber-gasketed concrete pipe.
 - 3. Length of inlet connection shall not exceed 55 feet.
 - 4. Standard shop-fabricated tees, wyes, and saddles shall be used, except that connections with concrete pipe may be field-tapped.

- E. Zinc-coated (galvanized) corrugated iron or steel pipe shall be coated with protective Treatment 1 in accordance with Section 9-05.4(3) of the State Standard Specifications.
- F. Subject to approval by the Engineer, other pipe materials and methods, such as but not limited to plastic or cast-in-place concrete pipe, may be used provided that conditions make it feasible, recognized specifications are available to control quality, and acceptable user experience with the product is shown.
- G. The rubber gasket requirement above may be waived by the Engineer if it can be shown that joint leakage will not be an adverse factor.
- H. Storm drain gradients shall be such as to assure minimum flow velocity of three (3) feet per second when flowing full.
- I. Closed (underground) drain lines shall not be located with centerline closer than five feet to any property line separating adjacent lots or tracts. A drainage easement shall be located entirely within a single lot or tract, except where linear extent of the drain line may involve additional properties.

5.3 CATCH BASINS, MANHOLES & INLETS

- A. Maximum spacing on surface drainage courses between inlets or catch basins shall be 200 feet on road grades up to 1.5%. When road grade is 1.5% to 3.0%, maximum spacing shall be 300 feet; when grade is 3.0% or greater, maximum spacing shall be 400 feet.
- B. Maximum spacing on main storm drains between access structures, whether catch basins or manholes, shall be 600 feet.
- C. Curb inlets without drop section or catch may be used provided they are connected to a main storm drain by catch basin.
- D. Adequate measures shall be taken to limit surface drainage from yards and roof drains so as to prevent water damage or nuisance within the right-of-way. Such measures may include but are not limited to the following:
 1. Three-inch pipe laid sub-surface from yard inlet to nearest catch basin or curb inlet.
 2. Three-inch pipe laid from yard inlet under sidewalk and out through curb face. This method is not permissible when curb is on high side of super-elevation or in any situation in which street drainage cannot be confined to gutter receiving yard runoff.
 3. Eight-inch pipe stubbed from catch basin or curb inlet structure to back of sidewalk and plugged, to provide future connection to one or more yard drains.

5.4 RUNOFF CONTROL POLICIES

The following elements of referenced King County Code Title 20.50 and the Drainage Guidelines are summarized for emphasis:

- A. Runoff Diversion: Surface water entering the road right-of-way shall be received at the naturally occurring location. Surface water existing in the right-of-way shall be discharged at the natural location with adequate energy dissipators to minimize downstream damage. There shall be no diversion at either of these points. In subdivisions in planning stage these rules shall apply to the total property, by division, which is under development and not just to the proposed road right-of-way.

B. Peak Discharge Control:

1. The peak discharge from the road right-of-way or from total subdivided property shall not be increased due to the proposed construction, and
2. Retention or detention facilities acceptable to the Engineer shall be provided in order to handle all surface water in excess of the peak discharge.

C. Oil Separation Devices: Whenever significant contamination of runoff with oil or grease is anticipated, an oil/grease separation device, as specified in Drainage Guidelines or acceptable to the Engineer, shall be installed. It shall be located at a point where it can be maintained and where it will intercept floating contaminants flowing off the road right-of-way.

D. Erosion & Siltation Control:

1. Excavation and grading shall be done in a manner to maintain controlled drainage of the worksite and to minimize the exposure of unprotected slopes to the action of precipitation or flowing ground water.
2. When possible, existing natural vegetation shall be left intact.
3. Exposed slopes when completed shall be given appropriate permanent protection as soon as practical, e.g., grass or other ground cover, riprap, rockeries, or retaining walls.
4. The provisions of Section 3, Temporary Erosion/Sedimentation Control, of the King County Drainage Guidelines shall apply. This shall include the submittal of an effective temporary erosion/sedimentation control plan to be approved by the Engineer prior to starting any clearing and grubbing of earthwork.

SECTION VI UTILITIES

6.1 STREET RIGHT-OF-WAY PRIMARILY FOR TRAFFIC

Utilities to be located within the street right-of-way shall be constructed in compliance with these Standards. In their use of the right-of-way, utilities shall be given consideration after the traffic carrying requirements of the roadway which are, namely, to provide safe, efficient and convenient passage for motor vehicles, pedestrians, and other traffic. Aesthetics shall be a consideration. As a matter of policy, undergrounding of electric utilities will be required unless waived by the Planning Commission & Council.

6.2 STANDARD UTILITY LOCATIONS

Utilities within the right-of-way on new roads or in roadways where existing topography, utilities, or storm drains are not in conflict, shall be located as shown in typical sections, and as indicated below. Where existing utilities or storm drains are in place, new utilities shall conform to these Standards as nearly as practical and yet be compatible with the existing installations. Exceptions may be approved when necessary to meet the special requirements of overhead utilities where right-of-way space is limited, planned unit developments, short subdivisions, mobile home parks, multi-family developments and commercial developments.

A. Gas and Water Lines:

1. Shoulder-and-Ditch Section:

If practical: Outside of ditch line

Otherwise: In shoulder 3 feet from edge of travel lane.

2. Curb and Gutter Section:

Preferable: Near gutter of curb or at distance which will clear root masses of street trees if these are present or planned for.
 Otherwise: 10 feet from centerline. Mains and service connections to all lots should be completed prior to placing of surface materials.

3. Designated side of centerline to generally conform with King County.

GAS: South and West; WATER: North and East.

4. Depth of Cover:

(a) Water at 3.5' minimum cover from finished grade

(b) Gas at 3.0' minimum cover from finished grade.

- B. Sanitary Sewers: Mains located 5' south & West of centerline, side sewer cover 5 ft. min. from finished grade at property line, terminated inside lot.
- C. Sanitary and water lines shall be separated in accordance with good engineering practice by being spaced at least 10'-0" apart, horizontally.
- D. Gravity systems, whether sanitary or storm drainage, shall have precedence over other systems in planning and installation.
- E. Electric utilities, power, telephone, cable TV:
 Required: Underground, either side of road, at plan location and depth compatible with other utilities and storm drains. Each utility is to file with the City their construction standards and current revisions.

- F. Notwithstanding other provisions, underground systems shall be located at least five feet away from road centerline and where they will not otherwise disturb existing survey monumentation.

6.3 UNDERGROUND PIPE MATERIALS & INSTALLATION

Water mains and sanitary sewer pipe installed in the public right-of-way shall conform to the provisions of Division III and Division IV of the Washington Chapter APWA Standard Specifications, current edition, except as otherwise provided herein.

6.4 SCHEDULING OF UTILITIES INSTALLATION & RELOCATION

- A. Pole utilities and underground utilities, including service crossings, shall be installed or relocated prior to the start of road construction if planned road cuts and fills are minimal and location of road elements can be clearly indicated in advance. Otherwise such utilities, with connections, shall be installed or relocated after the subgrade has been completed but before surfacing has been placed.
- B. As a matter of policy, utility trenching or transverse cuts in Streets will be discouraged. They will not be permitted unless it can be shown that alternatives such as boring or jacking or relocating outside the paved area are infeasible, or unless the utility can be installed just prior to reconstruction or overlay of the road. In instances where trenching or cutting is permitted, backfilling shall be done in accordance with Section 7-04.3(3) of the State Standard Specifications and the road surface shall be restored at least equal to the existing pavement. If a firm and presentable surface even with the existing pavement is not achieved, the Engineer may require remedial action such as redoing of the restoration or overlaying the backfilled trench and adjacent areas of the roadway.

6.5 GENERAL REQUIREMENTS:

- A. It is the desire of the City to provide water and sanitary sewer service to all areas within the City limits, and in some cases beyond. If the proposed development is in reasonable proximity to existing sanitary sewers or water-mains, and the existing facilities can be made adequate to handle the increased load anticipated from the new development, the developer will be required to connect to the existing facilities, and contribute to the capital improvement costs involved to make such facilities adequate.
- B. All sanitary sewers shall be designed in accordance with the State of Washington Department of Ecology's "Criteria for Sewage Works Design", dated February 1978, including all amendments thereto.
- C. All watermains shall be designed in accordance with the State of Washington Department of Social and Health Services, Division of Health. Watermains shall be flushed, disinfected and flushed again. Water samples shall be taken and analyzed in accordance with the requirements of the State Division of Health prior to the connection of any service lines.
- D. All proposed utilities, together with construction details, shall be submitted on plan and profile paper to the Snoqualmie City Council for approval, and shall be stamped by a Professional Engineer, licensed to practice in the State of Washington.
- E. All drainage easements, utility easements, and slope easements required inside and outside the platted area shall be submitted with final plans for approval.

SECTION VII ROADSIDE FEATURES7.1 DRIVEWAYS

- A. Permissible dimensions, slope and detail shall be as indicated on Drawings and as further specified in the following subsections.
- B. Conditions of Approval of New Driveways:
 - 1. Driveways directly giving access onto arterials may be denied if alternate access is available.
 - 2. All abandoned driveway areas on any street shall be removed and the curbing and sidewalk, or shoulders and ditch section shall be properly restored.
 - 3. Maintenance of driveway approaches and all sidewalks shall be the responsibility of the owner whose property they serve.
 - 4. For a commercial establishment on a shoulder and ditch type road, where development of adjoining lands and highway traffic assume rural characteristics as determined by the Engineer, the following rule shall apply: The entire frontage area shall be graded and paved to the property line with asphalt or portland cement concrete. Surface drainage shall be intercepted and carried in a closed system. Access control to the property by means of a 6-inch curbing will be required.
- C. Location of New Driveways:
 - 1. A residential driveway is one that normally serves one parcel. A driveway serving more than one parcel shall be classed as a commercial driveway or a private street.
 - 2. On frontage 75' or less, no more than one driveway shall be constructed; on frontages over 75' two or more driveways may be permitted, subject to approval by the Engineer.
 - 3. No portion of driveway width shall be allowed within 5' of extensions of property lines in residential areas or 9' in commercial areas except that driveways may utilize full width of narrow access right-of-way to property if this provides the only access to the lot being served.

4. The maximum change in driveway grade shall be:

On crest vertical curves, 8% per 10'.

On sag vertical curves, 12" per 10'.

- D. Existing driveways may be reconstructed as they exist provided such reconstruction is compatible with the reconstructed road.
- E. Notwithstanding any other provisions, driveways shall not be allowed where they are determined by the Engineer to create a hazard or impede the operation of traffic on the roadway.

7.2 ROCK RETAINING WALLS

- A. Rock retaining walls may be used for the containment of cut or fill embankments up to a maximum height of 8 feet in stable soil conditions which will result in no significant foundation settlement or outward thrust upon the walls. For heights over 8 feet or when soil is unstable, a structural wall of acceptable design shall be used.
- B. Materials.
1. Size categories shall include:
 - Two-man rocks (300 to 600 pounds), 13" in least dimension;
 - Three-man rocks (800 to 1200 pounds), 16" in least dimension; and
 - Four-man rocks shall be used for bottom course rock in all rock retaining walls over 6' in height.
 2. The rock material shall be as nearly rectangular as possible. No stone shall be used which does not extend through the wall. The rock material shall be hard, sound, durable and free from weathered portions, seams, cracks and other defects. The rock density shall be a minimum of 160 pounds per cubic foot.
- C. The retaining wall shall be started by excavating a trench, not less than six (6) inches or more than one (1) foot in depth below subgrade in excavation sections or below the existing ground level in embankment sections.
- D. Rock selection and placement shall be such that there will be minimum voids and, in the exposed face of the wall, no open voids over six (6) inches across in any direction. The final course shall have continuous appearance and be placed to minimize erosion of the backfill material. The larger rocks shall be placed at the base of the rockery so that the wall will be stable and have a stable appearance. The rocks shall be placed in a manner such that the longitudinal axis of the rock shall be at right angles or perpendicular to the rockery face. The rocks shall have all inclining faces sloping to the back of the rockery. Each course of rocks shall be seated as tightly and evenly as possible on the course beneath. After setting each course of rock, all voids between the rocks shall be chinked on the back with quarry rock to eliminate any void sufficient to pass a 2 inch square probe.
- E. The wall backfill shall consist of quarry spalls with a maximum size of four (4) inches and a minimum size of two (2) inches. This material shall be placed to an eight (8) inch minimum thickness between the entire wall and the cut or fill material. The backfill material shall be placed in lifts to an elevation approximately six (6) inches below the top of each course of rocks as they are placed, until the uppermost course is placed. Any backfill material on the bearing surface of one rock course shall be removed before setting the next course.

- F. When a sidewalk is to be built over a rock retaining wall, the top of the wall shall be sealed and leveled with a cap constructed of Cement Concrete, Class C in accordance with the applicable provisions of Section 6-02 of the State Standard Specifications, but with reduced water content resulting in slump of not over two (2) inches.

7.3 SIDE SLOPES

- A. Side slopes shall be constructed no steeper than 1-1/2 to 1 on fill slopes and 1 to 1 on cut slopes. Flatter slopes are preferred and may be required by the Engineer if there are indications that the earth is unstable and subject to sliding or sloughing.
- B. Side slopes shall be stabilized by grass sod or seeding, or by other planting or surfacing materials acceptable to the Engineer.
- C. Furnish City easements for side slopes in the form prescribed by the City.

7.4 STREET TREES & LANDSCAPING

When desired by the City, street trees and landscaping shall be incorporated into the design of any road improvement. Existing trees and landscaping should be preserved where desirable, and placement of new trees should be compatible with other features of the environment. In particular, maximum heights and spacing should not conflict unduly with overhead utilities. Trees shall be of the type that roots will not damage sidewalks etc. If street trees are planted, they should conform reasonably to City standards. Trees shall be maintained by the abutting property owner.

7.5 SURVEY MONUMENTS

- A. Monuments shall be placed at all street intersections including intersections with cul-de-sacs, and at all points of curvature and points of tangency. All monuments shall be set in concrete and be provided with cast iron frames and covers.
- B. All existing survey control monuments which are disturbed, lost, or destroyed during surveying or building shall be replaced by the responsible surveyor or builder at the Developer's expense.
- C. Survey control monuments shall be placed or replaced in accordance with recognized good practice in land surveying.

SECTION VIII INSPECTION

8.1 BASIS FOR CONTROL OF THE WORK

- A. Work performed in the construction or improvement of City Streets whether by or for a private developer, by City forces, or by City Contractor, shall be done to the satisfaction of the Engineer and in accordance with approved plans. It is emphasized that no work may be started until such plans are approved. Any revision to such plans shall be approved by the Engineer and inspectors before being implemented.
- B. The Engineer or other designated City personnel shall have authority to enforce the standards as well as other referenced or pertinent specifications. He will appoint assistants, and inspectors as necessary to inspect the work and they will exercise such authority as the Engineer may delegate. See definition of inspector.
- C. Provisions of Section 1-05 of the State Standard Specifications shall apply.

8.2 STREET INSPECTIONS

On all Street construction, inspections will be done by the Engineer and/or his designated inspectors. Unless otherwise instructed by the City Engineer, inspections will be made as follows:

- A. Inspection No. 1: Temporary water detention/retention and siltation control in accordance with "Drainage Policies and/or Recommendations" in latter part of Drainage Guidelines.
- B. Inspection No. 2: All underground storm drains, sanitary sewers and watermains at stage that trenching and placing of pipe is in progress up to completion, but prior to cover. Inspection shall include checking for proper grade, alignment, bedding condition, testing of pipelines, connections to existing facilities, and to include proper backfill and compaction.
- C. Inspection No. 3: General roadway, at different construction stages of drainage system, underground utilities, and roadway grading until suitable subgrade is complete, including gravel ballast if required.
- D. Inspection No. 4: General roadway, at state that crushed gravel surfacing or base course has been placed, as well as curbing and sidewalk.
- E. Inspection No. 5: General roadway, while paving is in progress
- F. Inspection No. 6: Final air testing of sewer installation in plats after all other utilities have been installed and plat improvements are complete.
- G. Inspection No. 7: Overall roadway, final, after paving, clearing of drainage system and all necessary clean-up.
- H. Structural Inspections: At critical stages of foundation, placement and assembly of components, and final completion and test, as directed by the Engineer.

8.3 DEVELOPERS REQUIRED TO NOTIFY

The developer shall notify the City Engineer in advance of each required inspection. Failure to comply will necessitate additional and appropriate testing and certification by a Commercial Materials Laboratory. Costs of such testing and certification shall be borne by the developer. At the time that such action is directed by the Engineer, no further work will be permitted on the development until all tests have been completed and all corrections have been made, to the satisfaction of the Engineer.

8.4 REVISIONS TO INSPECTION SEQUENCE

If the developer believes that the inspection sequence indicated above does not fit the requirements of his project, he should make his request to the Engineer in sufficient time to permit revision of the inspection schedule.

IX DEPOSITS, FEES & OBLIGATIONS TO THE CITY

9.1 CASH DEPOSITS

A cash deposit shall be placed with the City as a guarantee fund to assure completion of all obligations in respect to fees charged for conferences, plan checks, field inspection, transfer of ownership, and all other functions performed in processing such improvements from concept to acceptance by the City. The cash deposit shall be retained (if not otherwise utilized), by the City up to the date of acceptance of the improvements by the City. This deposit may be used by the City to satisfy any outstanding obligations as to City expenses incurred (particularly including the City's consulting Engineer & other professional advisors), which obligations are not paid within 30 days of invoiced date of consultant or professional advisor, or which obligations are outstanding at time of City accepting the improvement. Furthermore, the City reserves the right to suspend any further work on the improvements should the developer fail to make timely payments of all invoices billed, and/or upon failure to reimburse the funds withdrawn from the deposit. The developer will be reimbursed all deposit money remaining after all obligations are satisfied at time of acceptance of improvement. No reimbursement will be made for incomplete improvements and the City reserves the right, after one year of inactivity by developer to dispense such funds as it desires to any related City fund, or expense. The amount

of cash deposit for each development shall be \$1,000.00 or more established from time to time by Council action. The deposit is intended to assure monthly payments of City expenses as described above and does not indicate in any manner the total fees for the project, which fees usually vary indirectly with the developers ability to execute the performance of his total project.

9.2 CHECKING FEES

A checking fee will be assessed for checking plat maps. A checking fee will be assessed for checking preliminary Plans and later the detailed construction drawings (Plan-profiles etc.) covering all utilities and proposed street improvements. Fees will vary for each development and the City will bill the developer for the work performed by the City Engineer and City Inspector and any other City Staff members utilized in checking the plans for conformance with the City Standards. Billing will be based on an hourly charge in accordance with the time spent by each advisor in checking the project.

9.3 INSPECTION FEES

Inspection fees will be assessed by the Engineer through the City for time spent in inspecting the construction of utilities, street improvements and the testing associated therewith. Work will also include assistance in transferring ownership of utilities from the developer to the City. Total fees for the Inspection Phase and Transfer of Ownership will vary for each development. The City will bill the developer for the work performed and will bill on an hourly basis in accordance with the time required for these items of inspection to complete the project.

9.4 DEVELOPER AGREEMENT

A Developer Agreement shall be entered into between the City and the person or firm desiring to extend, revise or replace water and/or sewer utilities where allowed by City Ordinances, or to construct, reconstruct streets etc., within the City Limits. The Agreement particularly applies to development of plats, but is also applicable to those improvements required for certain remodeling of buildings and new construction of buildings within the City Limits. The Developer Agreement includes the required cash deposits, fees and other obligations to the City as indicated within this Section IX to perform the work in compliance with these standards.

9.5 PERFORMANCE BOND

For work performed in public right-of-ways the developer shall post a performance bond. Within the plat or development, no performance bond will be required unless the plat is to be recorded with the County and/or property is to be sold prior to completion of all the work. The amount of the bond shall in all instances be resolved on an individual basis, and shall be for the "Fair Cost Amount" as set by the City. In lieu of this Bond requirement, the developer may deposit the cash equivalent in a savings account as an assignment of funds in lieu of the Bond requirement.

9.6 GUARANTEE BOND

One year guarantee bond or its equivalent in cash shall be posted in the manner and style prescribed by the City prior to the plat being recorded with the County and/or prior to the property being sold. Service connections cannot be made until this requirement is fulfilled. Unless stated otherwise, the one year guarantee on utilities is a guarantee on all workmanship and materials of the utility for a period of one year from the date of acceptance of the plat and its improvements; not one year from completion of installation of

improvements. Prior to acceptance of the one year guarantee, the developer shall maintain and operate all utilities. In a similar manner, all streets shall be guaranteed for two (2) years from the date of acceptance of the plan and its improvements.

SECTION X - STANDARD FORMS; DEVELOPER AGREEMENT, PERFORMANCE BOND, GUARANTEE BOND

Standard Forms, when applicable, for the Developer Agreement, Performance Bond and Guarantee Bond, etc., shall be furnished by the City.

SECTION XI - DESIGN STANDARD DRAWINGS

On File with the City Clerk are drawings supplementing and illustrating the Design Standards as referred to in this Ordinance. Drawings shall be modified, added to, or deleted, all as directed by Council Action.

SECTION XII- VIOLATIONS OF ORDINANCE

Any violations of this ordinance shall be a misdemeanor and shall be punishable by a fine not to exceed \$500.00 or imprisonment in the City jail not to exceed 6 (six) months or by both fine and imprisonment.

SECTION XIII - ORDINANCE EFFECTIVE DATE

This ordinance shall take effect from the date it is published in accordance with R.C.W. 35A.12.130.

PASSED BY THE CITY Council of Snoqualmie Washington, at its regular meeting on the 28th day of July, 1980.

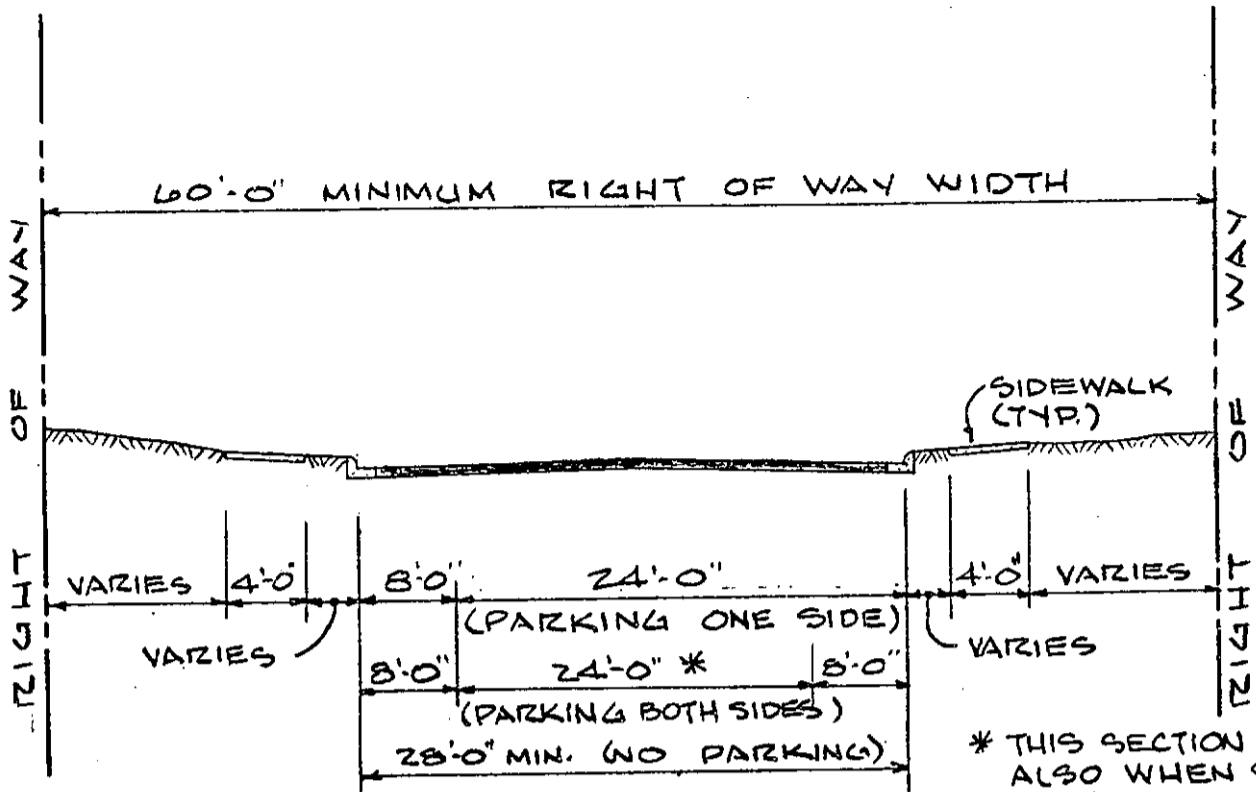
Mayor

ATTEST:

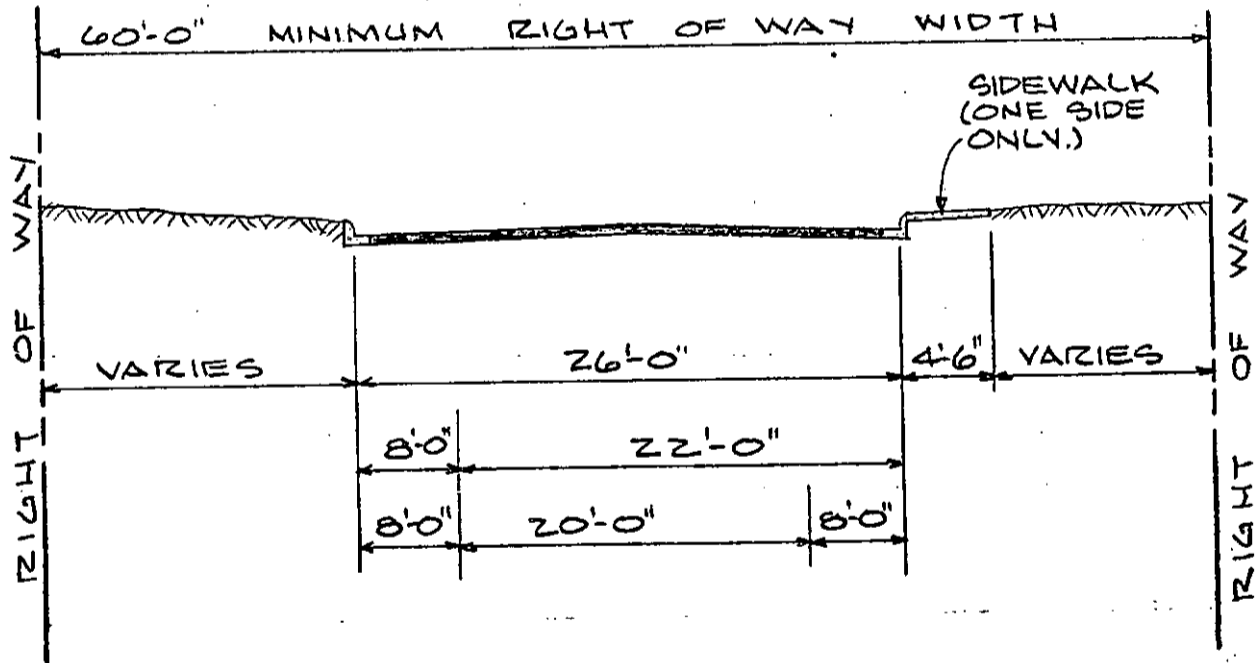
City Clerk

CITY OF SNOQUALMIE DESIGN STANDARDS
INDEX TO DRAWINGS

<u>NUMBER</u>		<u>PAGE</u>
1.	Minimum Roadway Sections.....	1
2.	Standard Street Section.....	2
3.	Standard Cul-De-Sac.....	3
4.	Street Tree Standards.....	4
5.	Driveway Details.....	5
6.	Wheel Chair Ramp.....	6
7.	Concrete Curb & Gutter.....	7
8.	Catch Basin & Curb Inlet Details.....	8
9.	Rock Wall.....	9
10.	Standard Manhole Details.....	10
11.	Shallow Manhole Details.....	11
12.	Outside Drop Manhole Details.....	12
13.	Inside Drop Manhole Details.....	13
14.	Standard Manhole Frame & Cover.....	14
15.	Lock Down Manhole Frame & Cover.....	15
16.	Plan, Side Sewer Stub-Out to Property.....	16
17.	Elevation, Side Sewer Stub-Out to Property.....	17
18.	Standing Side Sewer.....	18
19.	Service Sewers on Private Property.....	19
20.	General Notes, Service Sewers on Private Property.....	20
21.	Trench Section, Sewer Main.....	21
22.	Trench Section, Storm Drain.....	22
23.	Trench Section, Water Main.....	23
24.	Fire Hydrant Detail.....	24
25.	Hydrant Guard Post Detail.....	25
26.	Valve Marker Detail.....	26
27.	Thrust Block Details.....	27
28.	Water Service Connection.....	28
29.	Asphalt Pavement Repair.....	29



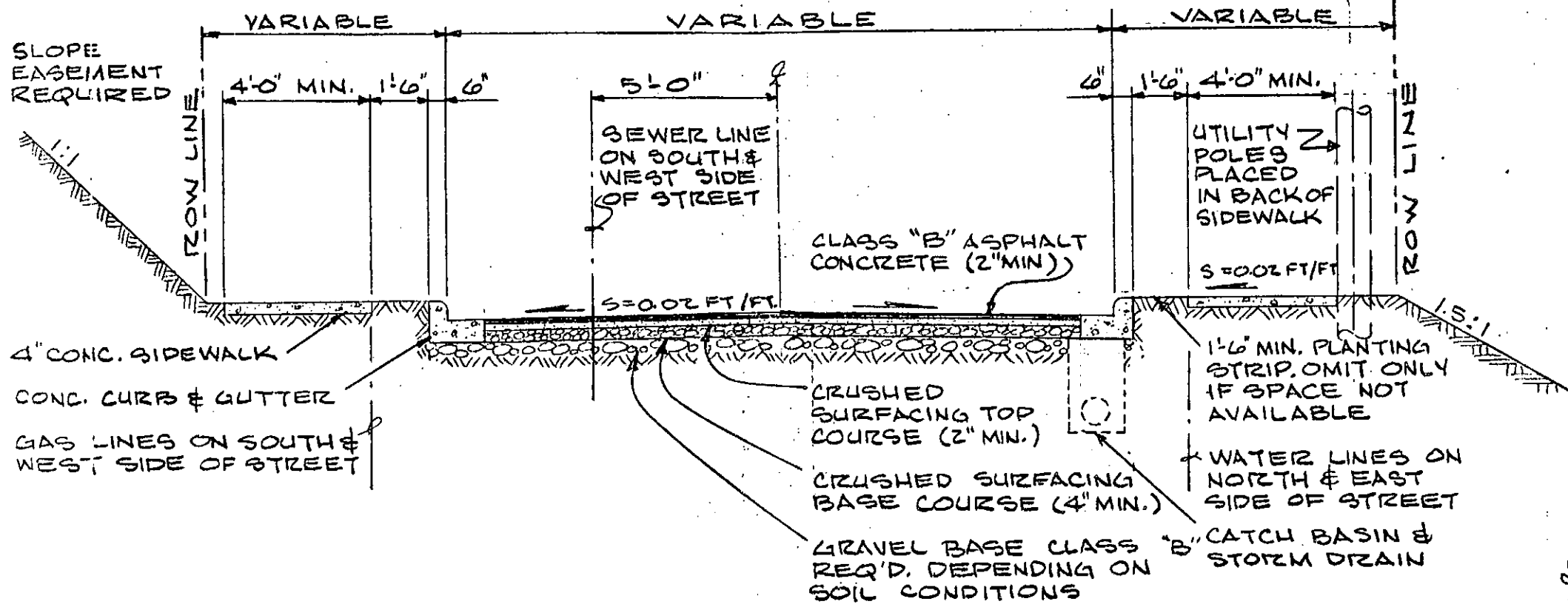
NEIGHBORHOOD COLLECTION SECTION
NOT TO SCALE



ACCESS SECTION
NOT TO SCALE

MINIMUM ROADWAY SECTIONS

Gray & Osborne, P.S.
CONSULTING ENGINEERS
SEATTLE & YAKIMA
WASHINGTON



STANDARD STREET SECTION

NOT TO SCALE

NOTES:

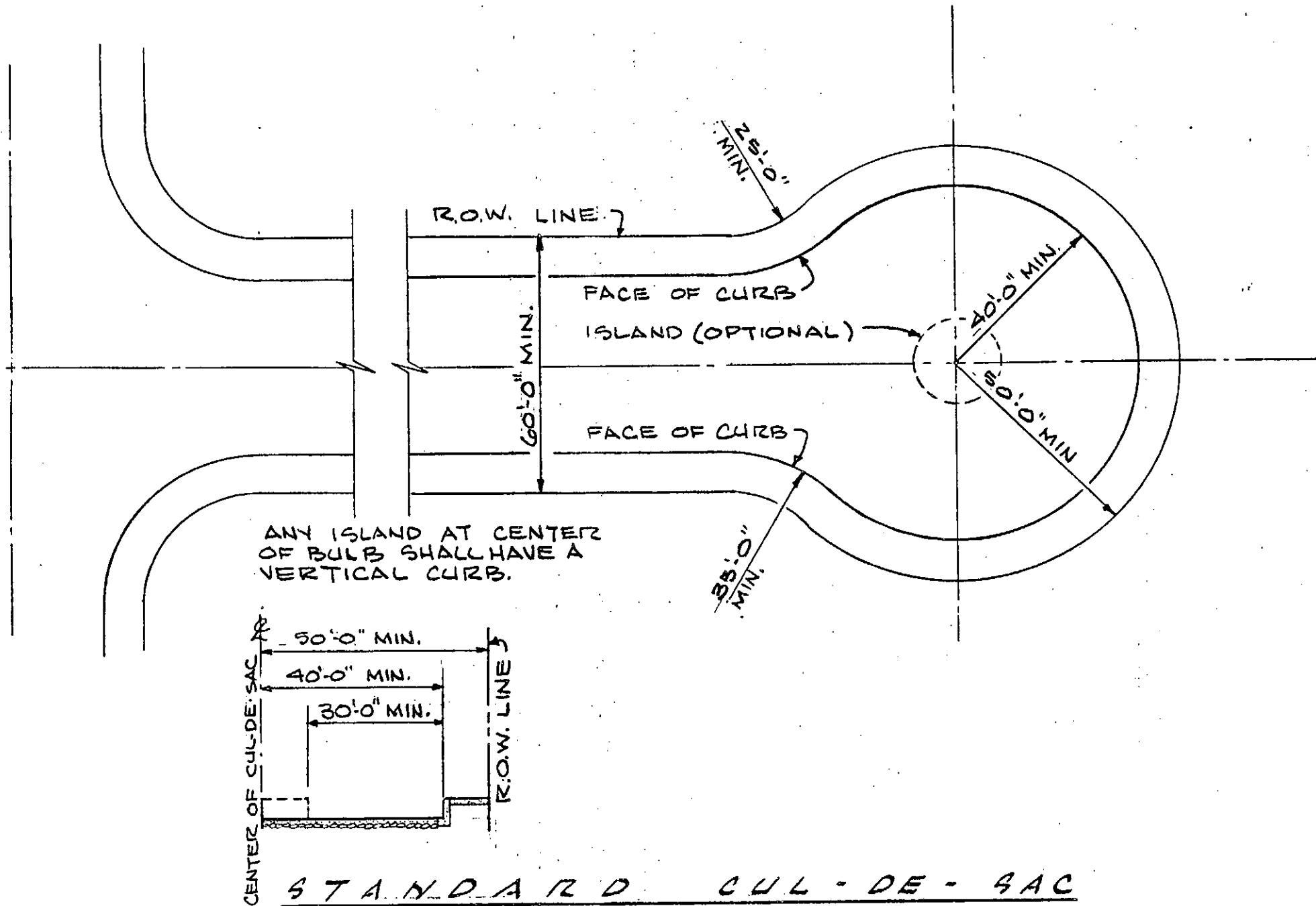
THIS DRAWING ILLUSTRATES A TYPICAL ASPHALT-CONCRETE STREET SECTION. ACTUAL SURFACING DESIGN SHALL BE BASED ON SOIL & TRAFFIC ANALYSIS.

MIN. GRADE 0.7%

SIDEWALKS SHALL BE 8'-0" OR WIDER IN BUSINESS DISTRICTS

STANDARD STREET SECTION

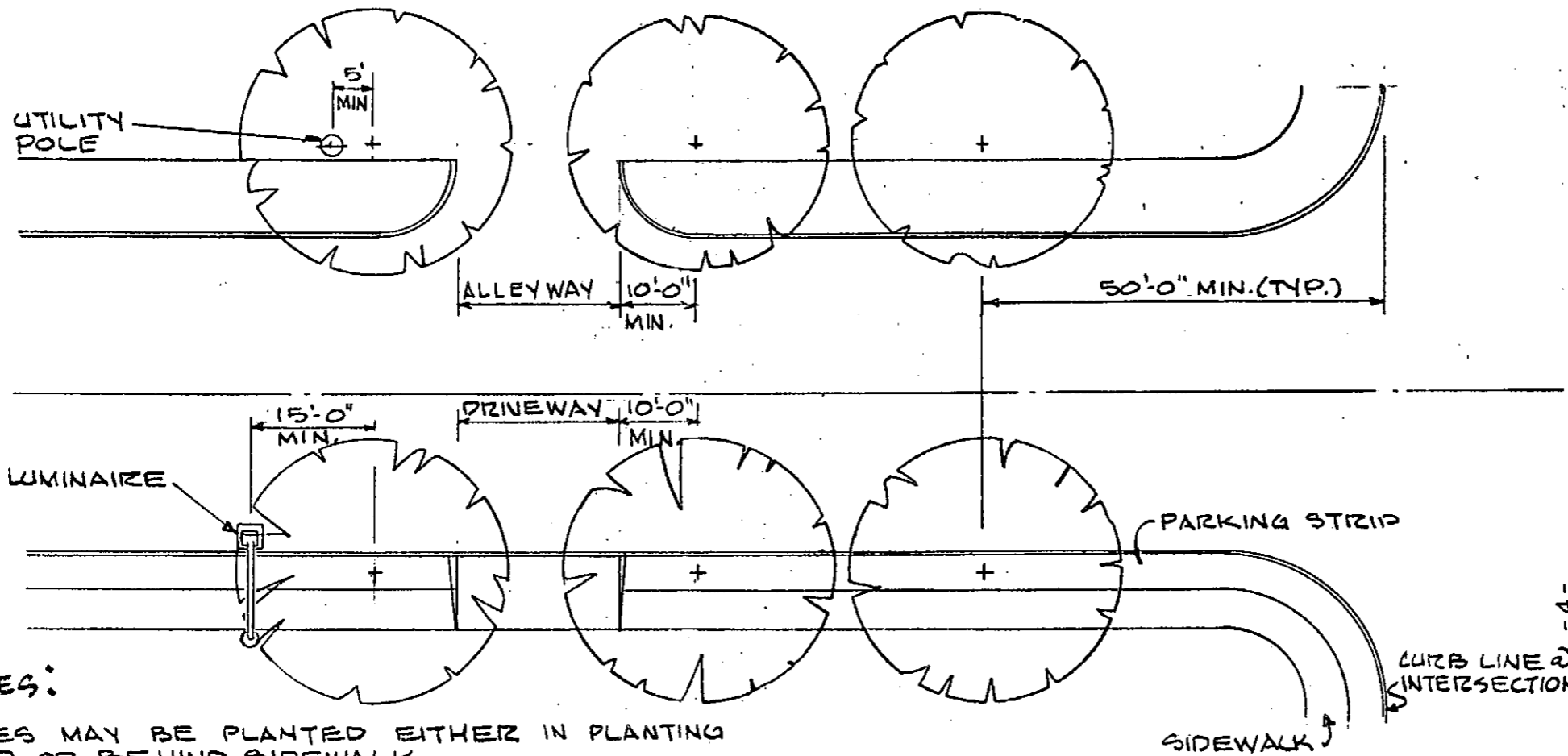
Gray + Obermeyer P.S.
 CONSULTING ENGINEERS
 SEATTLE & YAKIMA
 WASHINGTON



-3-

NOT TO SCALE

Gray + Osborne Inc. P.E.
CONSULTING ENGINEERS
SEATTLE & YAKIM
WASHINGTON



NOTES:

- TREES MAY BE PLANTED EITHER IN PLANTING STRIP OR BEHIND SIDEWALK
- MIN. PLANTING STRIP WIDTH (DISTANCE BETWEEN SIDEWALK & NEAREST EDGE OF CURB) FOR PLANTING TREES = 3'-0"
- MIN. DISTANCE FROM CENTER OF TREE TO NEAREST EDGE OF CURB = 2'-6"
- TREES SHALL BE STAKED IN A MANNER NOT TO OBSTRUCT SIDEWALK TRAFFIC.
- MIN CLEAR SIDEWALK WIDTH SHALL BE 4'-0"

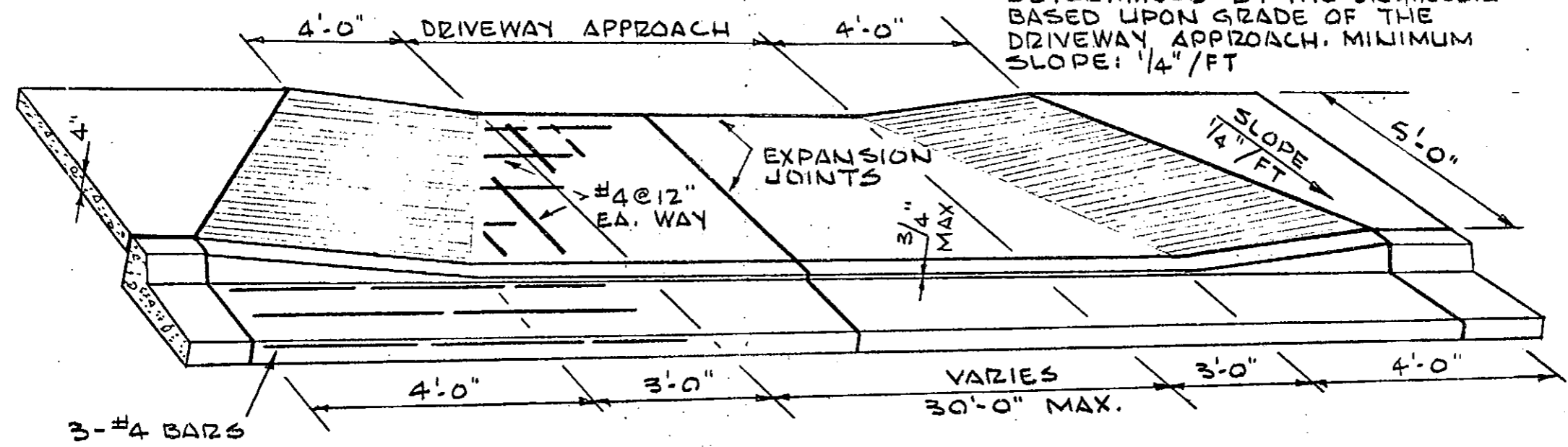
PLAN
NOT TO SCALE

STREET TREE STANDARDS

Gray + Osborne
 CONSULTING ENGINEERS
 SEATTLE & YAKIMA
 WASHINGTON

NOTE:

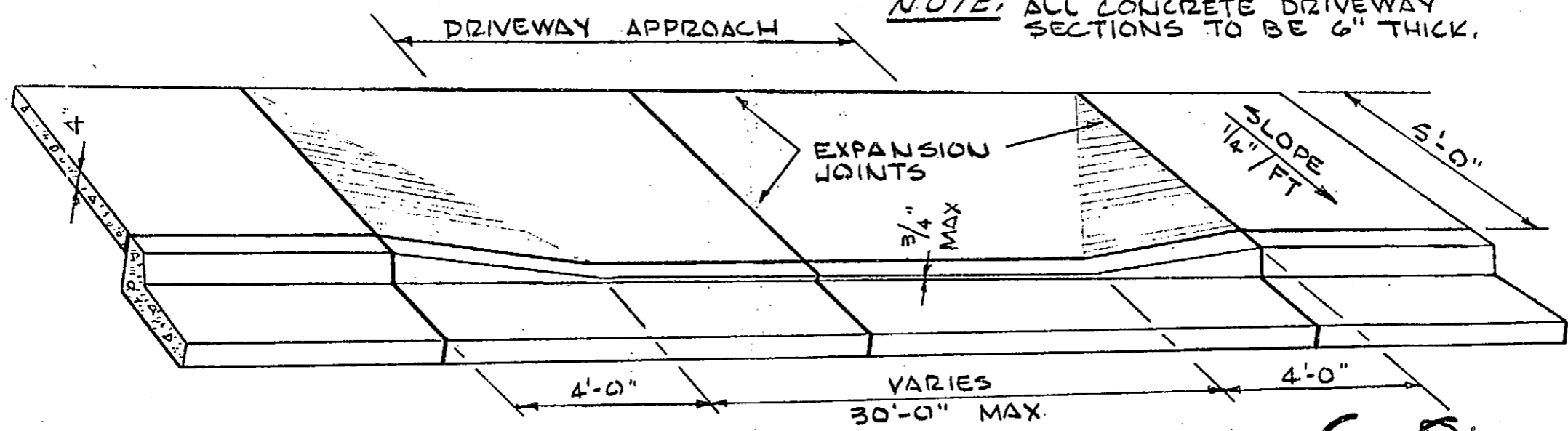
SLOPE OF DRIVEWAY TO BE DETERMINED BY THE ENGINEER BASED UPON GRADE OF THE DRIVEWAY APPROACH. MINIMUM SLOPE: 1/4" / FT



COMMERCIAL, INDUSTRIAL, & MULTIPLE-FAMILY DRIVEWAYS

NOTE:

ALL CONCRETE DRIVEWAY SECTIONS TO BE 6" THICK.

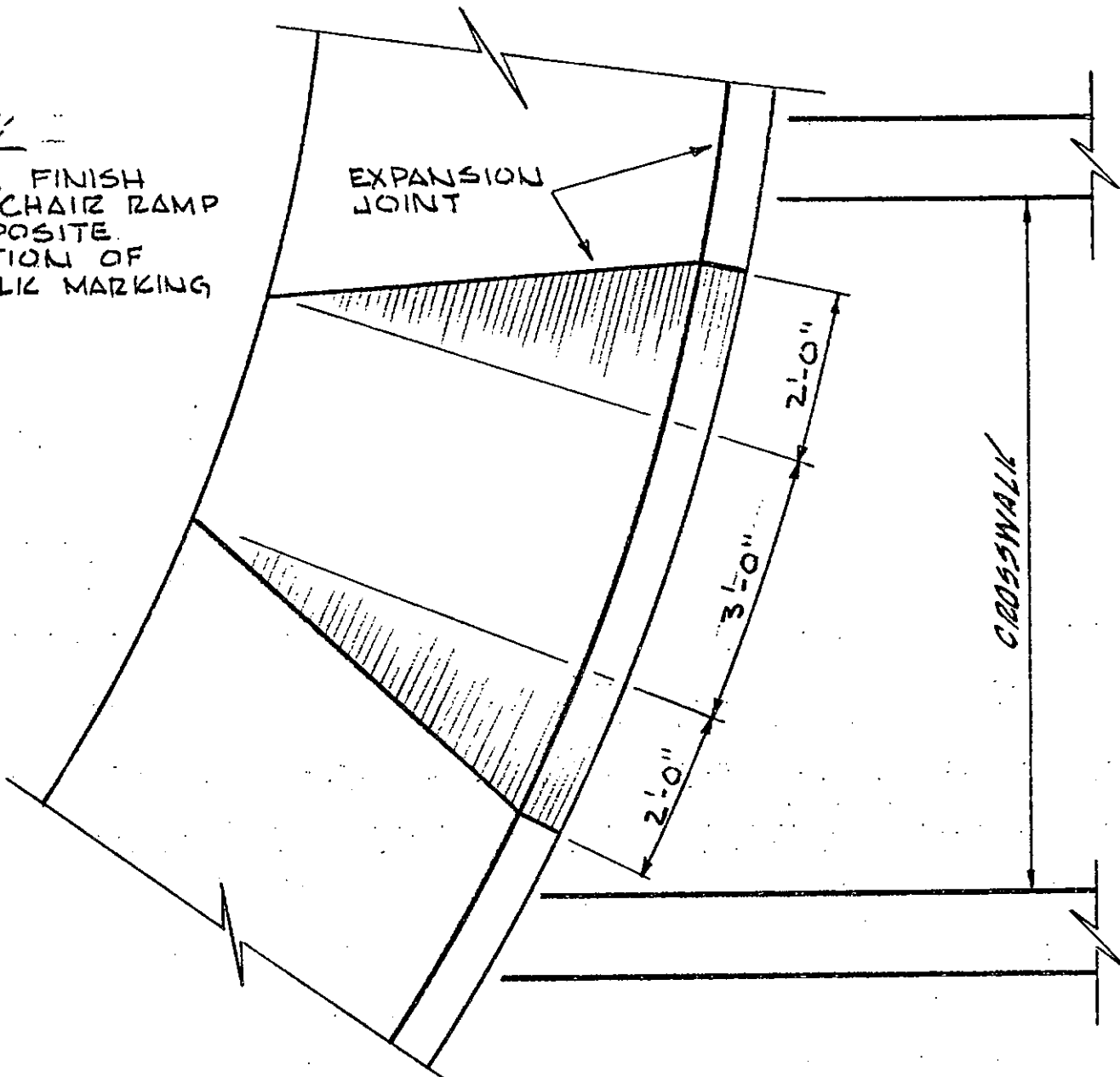


RESIDENTIAL DRIVEWAYS

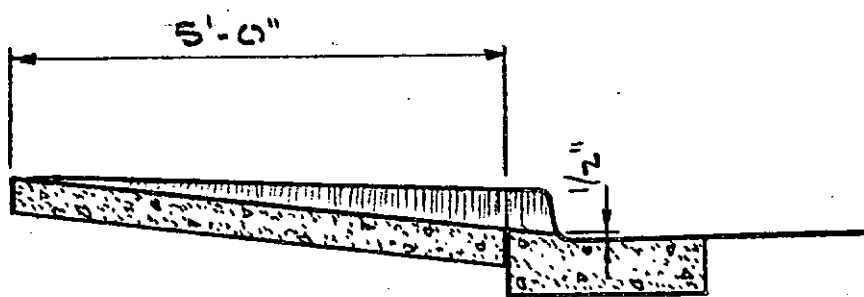
Gray + Osborne & P.S.
CONSULTING ENGINEERS
SEATTLE & YAKIMA
WASHINGTON

NOTE:

BROOM FINISH
WHEELCHAIR RAMP
IN OPPOSITE
DIRECTION OF
SIDEWALK MARKING



PLAN



SECTION

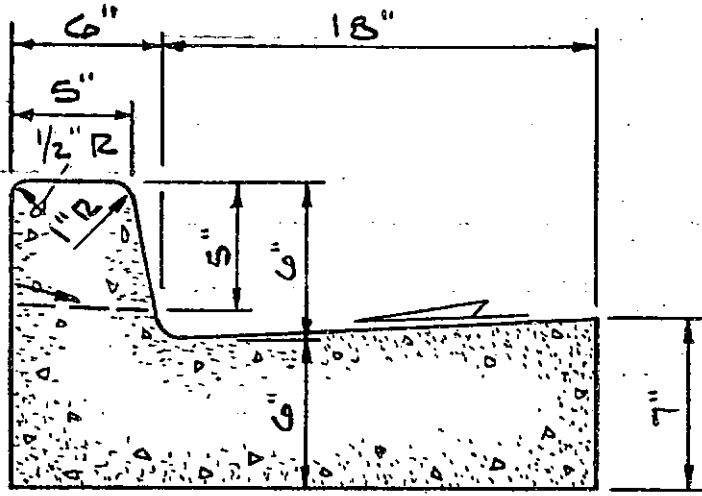
WHEELCHAIR RAMP

Gray & Osborne, P.S.
CONSULTING ENGINEERS
SEATTLE & YAKIMA
WASHINGTON

NOTE:

THE CURB AND GUTTERS SHALL HAVE 1/2" MASTIC JOINT FILLER MATERIAL AT INTERVALS OF NOT GREATER THAN 20'-0" WITH DUMMY JOINTS AT 10'-0".

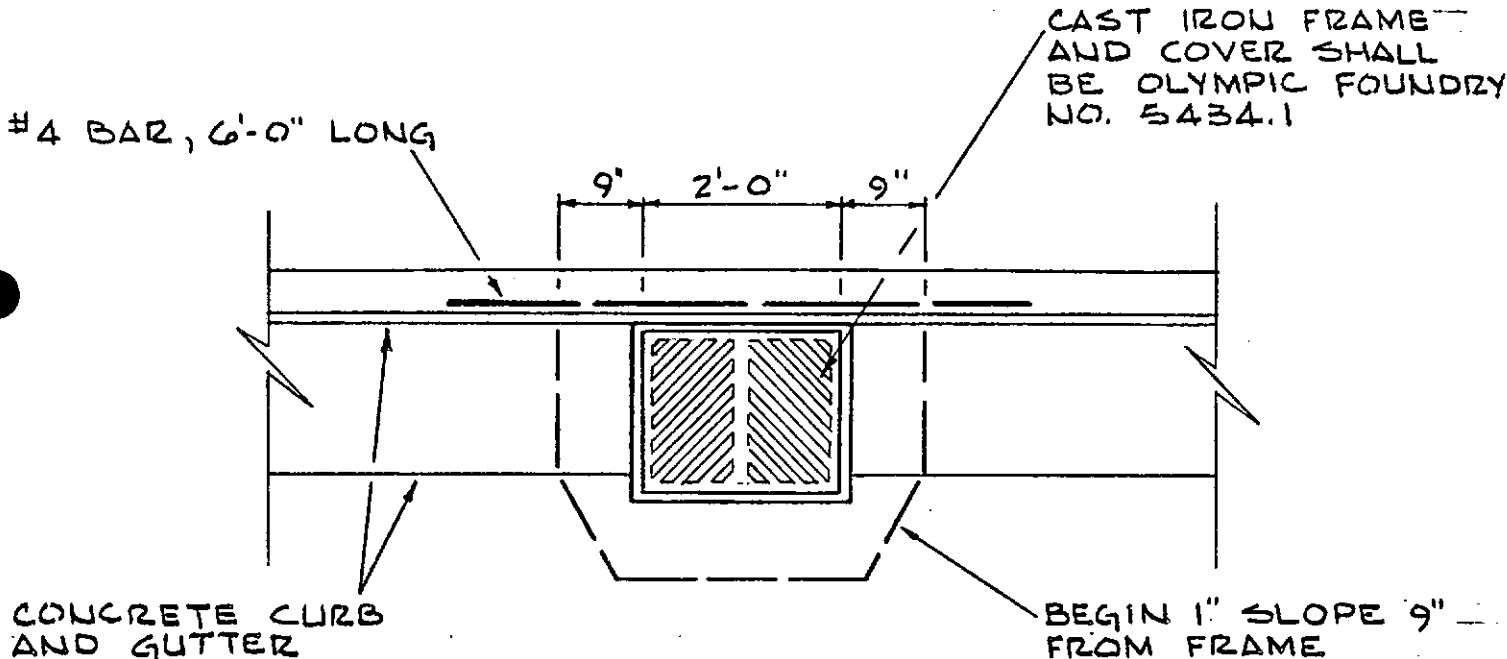
TOP OF CURB AT DRIVEWAY



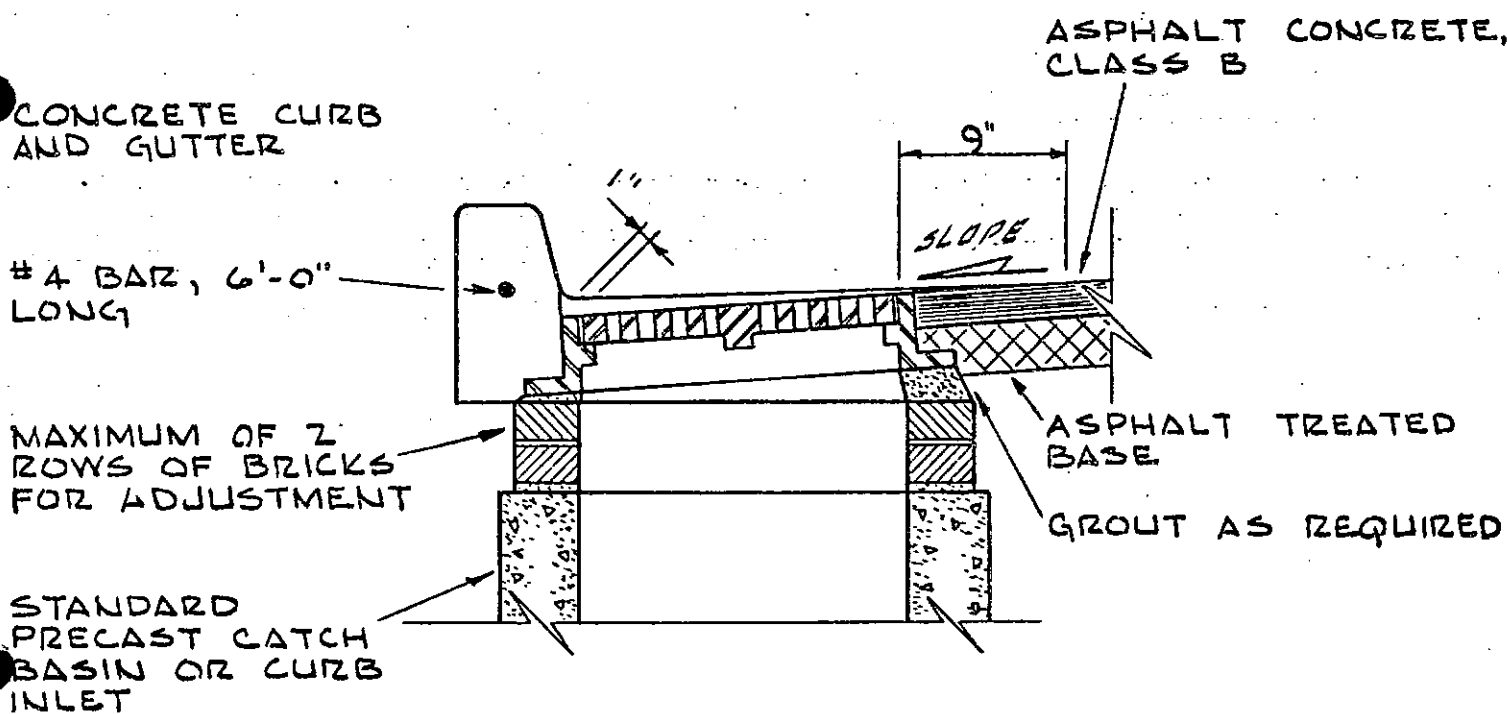
ELEVATION

CONCRETE CURB & GUTTER

Gray & Osborne Inc. P.S.
CONSULTING ENGINEERS
SEATTLE & YAKIMA
WASHINGTON



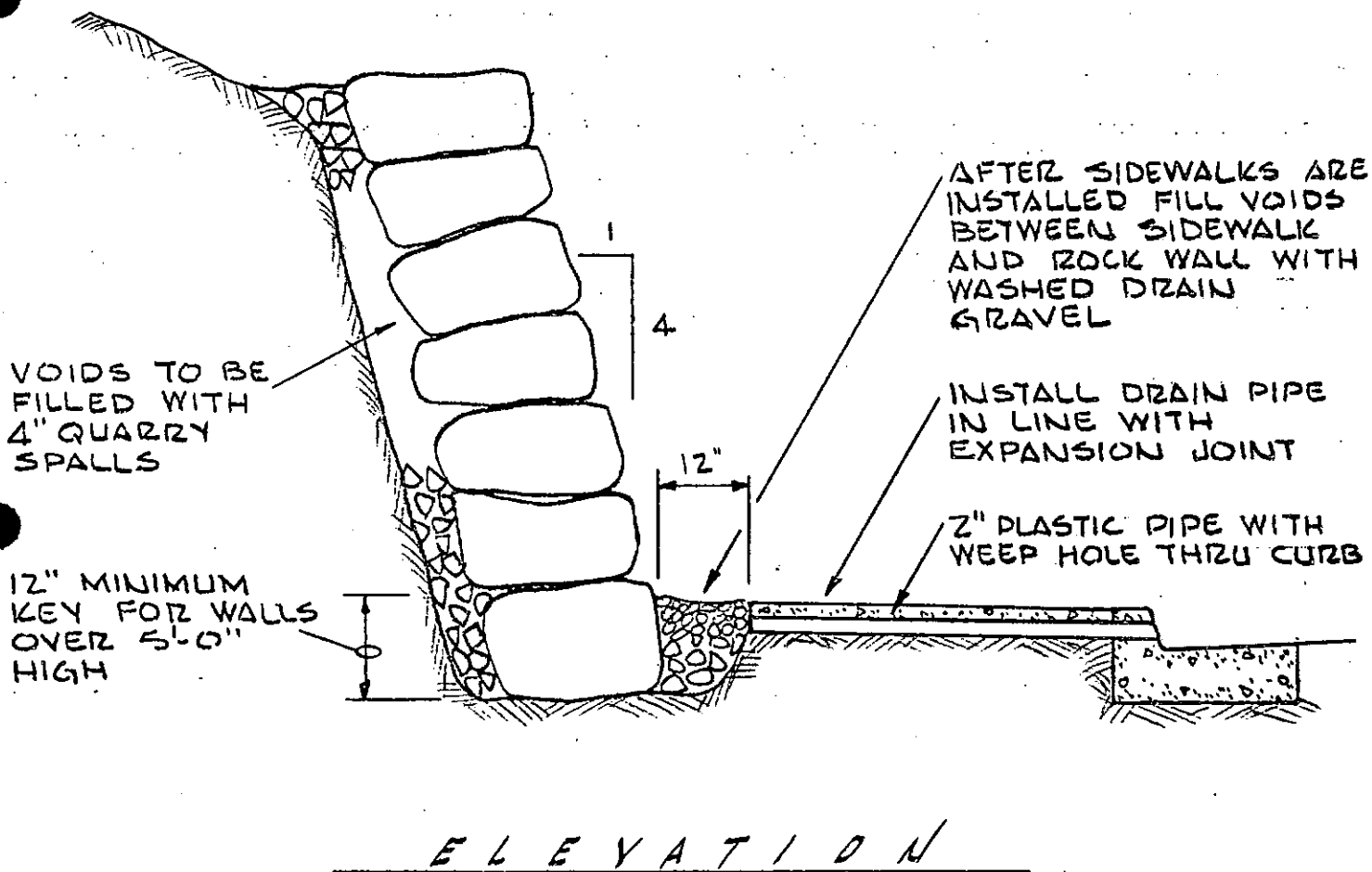
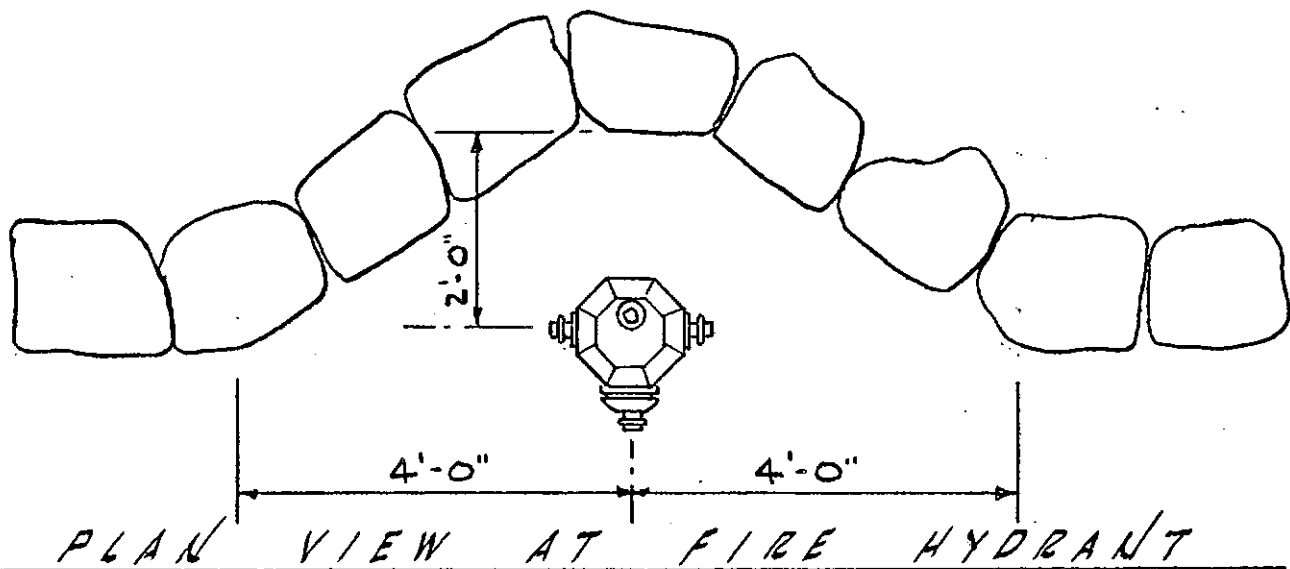
PLAN



ELEVATION

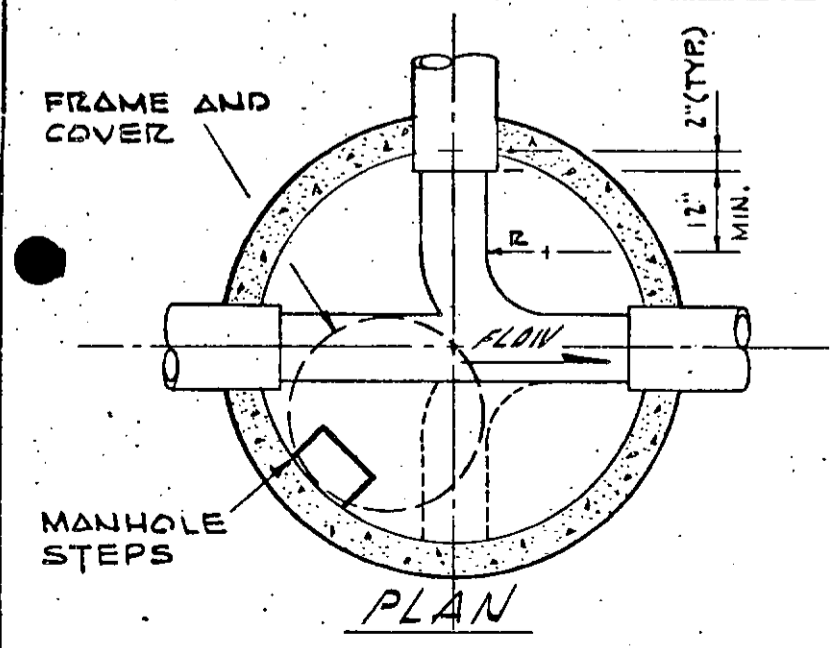
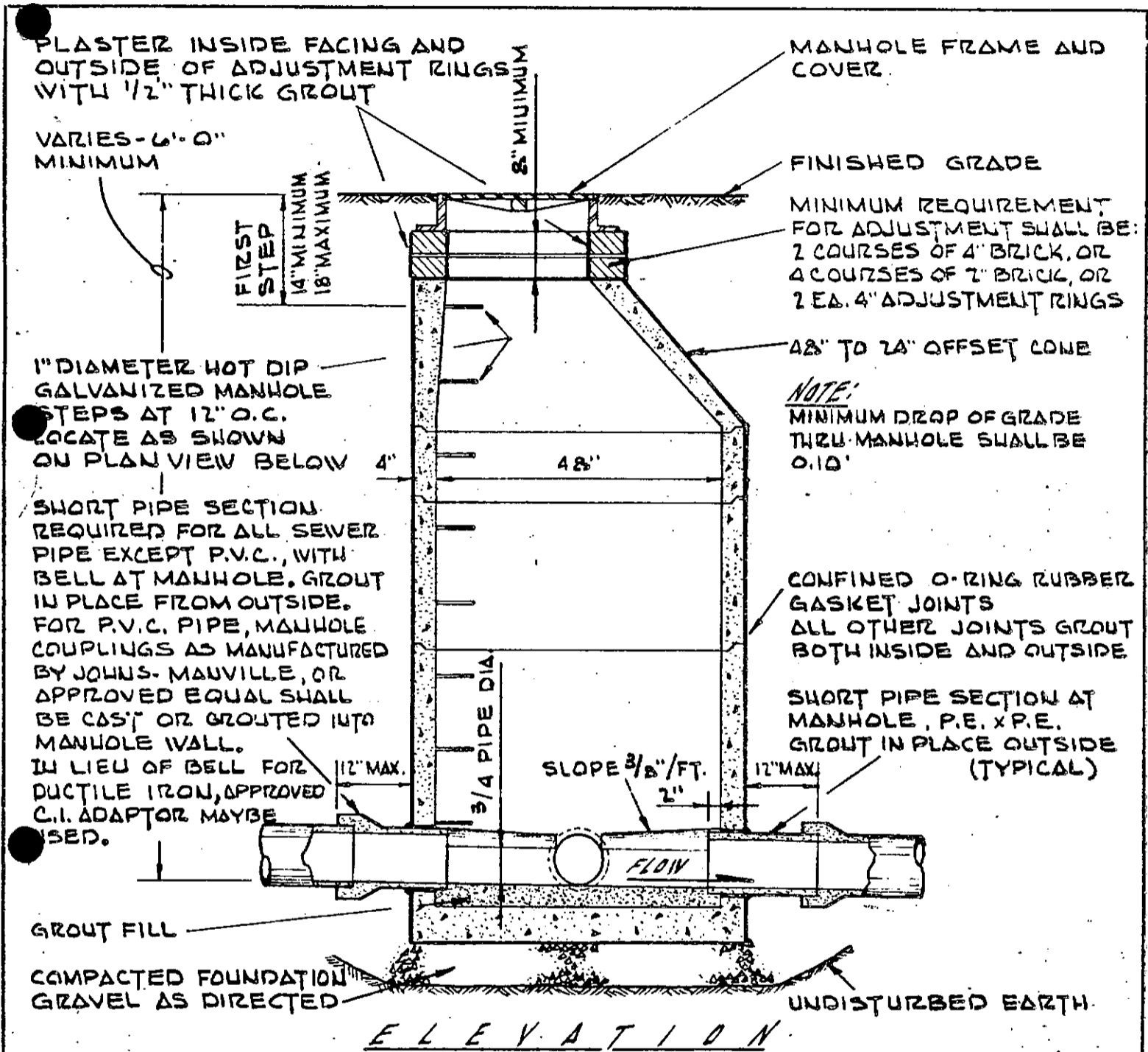
CATCH BASIN & CURB INLET DETAILS

Gray & Osborne
CONSULTING ENGINEERS
SEATTLE & YAKIMA
WASHINGTON



ROCK WALL

Gray & Osborn
CONSULTING ENGINEERS
SEATTLE & YAKIMA
WASHINGTON



STANDARD MANHOLE DETAILS

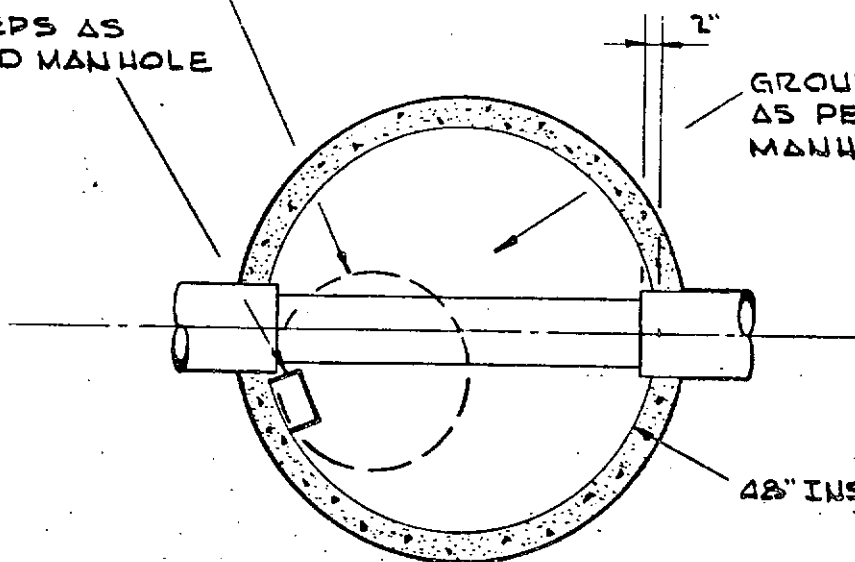
Gray & Osborne, Inc.
 CONSULTING ENGINEERS
 SEATTLE & YAKIMA
 WASHINGTON

LOCATE FRAME AND COVER OVER CHANNEL AS SHOWN

MANHOLE STEPS AS PER STANDARD MANHOLE DETAIL

GROUT AND CHANNEL AS PER STANDARD MANHOLE DETAIL

48" INSIDE DIAMETER



PLAN

ADJUSTMENT RINGS, MINIMUM 2 COURSES REQUIRED, PLASTER AS PER STANDARD DETAIL

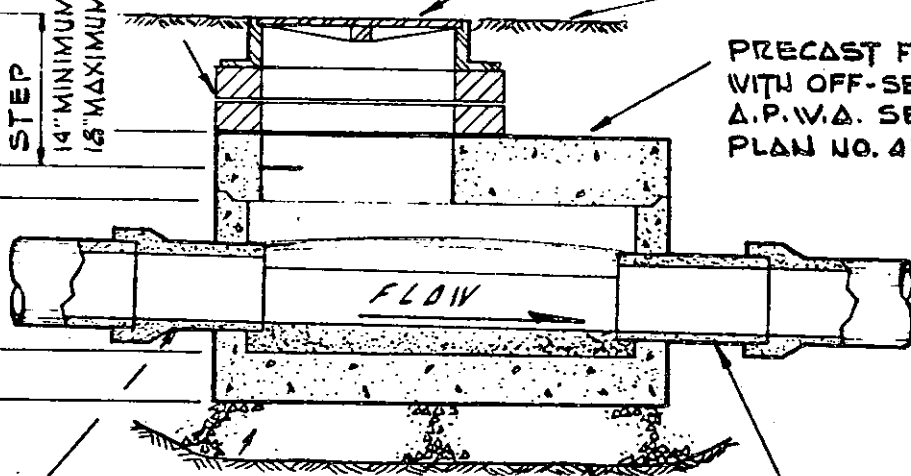
MANHOLE FRAME AND COVER AS PER STANDARD DETAIL

FINISHED GRADE

PRECAST FLAT SLAB TOP WITH OFF-SET OPENING Δ.P.V.A. SECTION G3 PLAN NO. 41

14" MINIMUM
26" MAXIMUM
18" MINIMUM
VARIES

FIRST STEP
14" MINIMUM
18" MAXIMUM



SHORT PIPE SECTION AS PER STANDARD MANHOLE DETAIL

SHORT PIPE SECTION AS PER STANDARD MANHOLE DETAIL

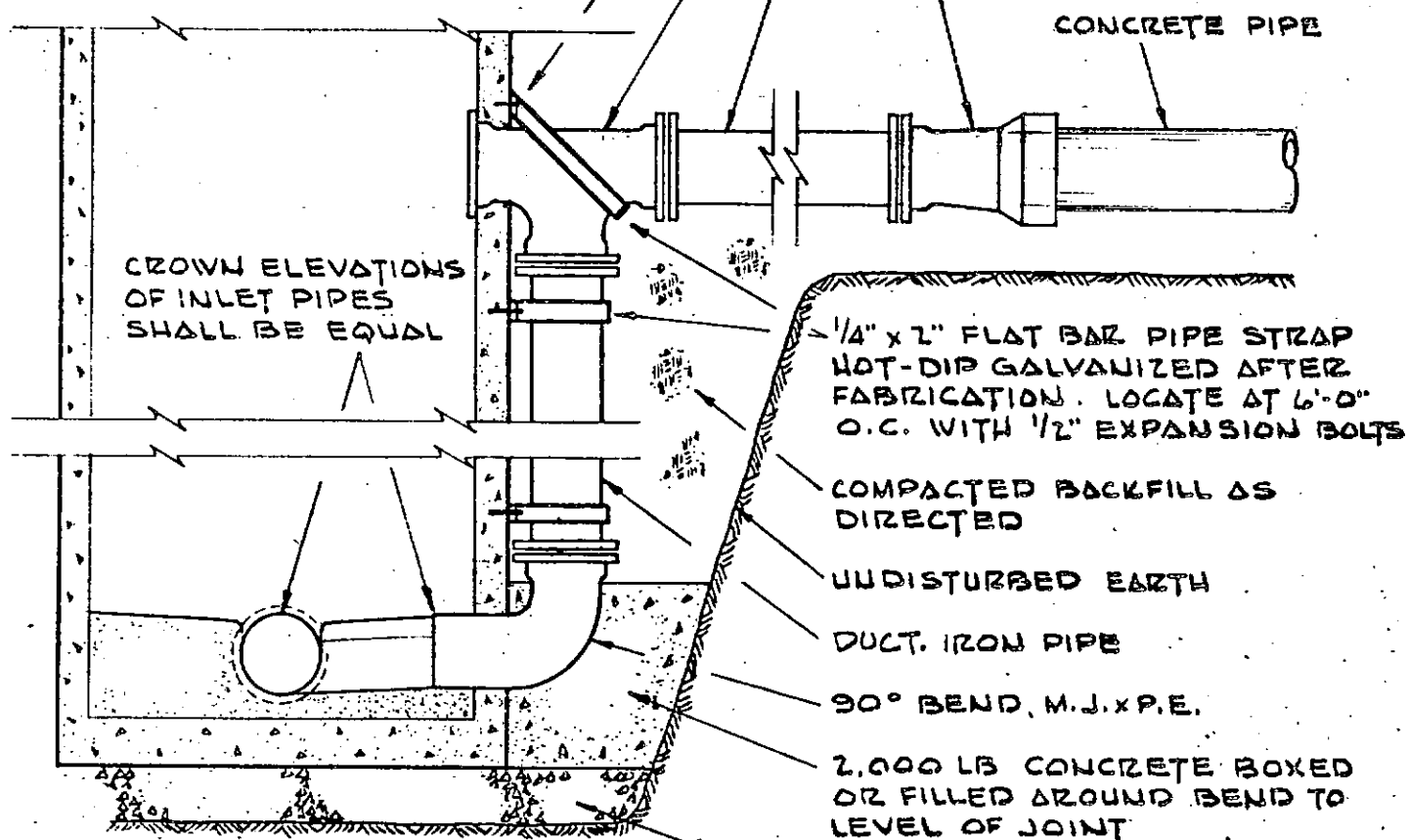
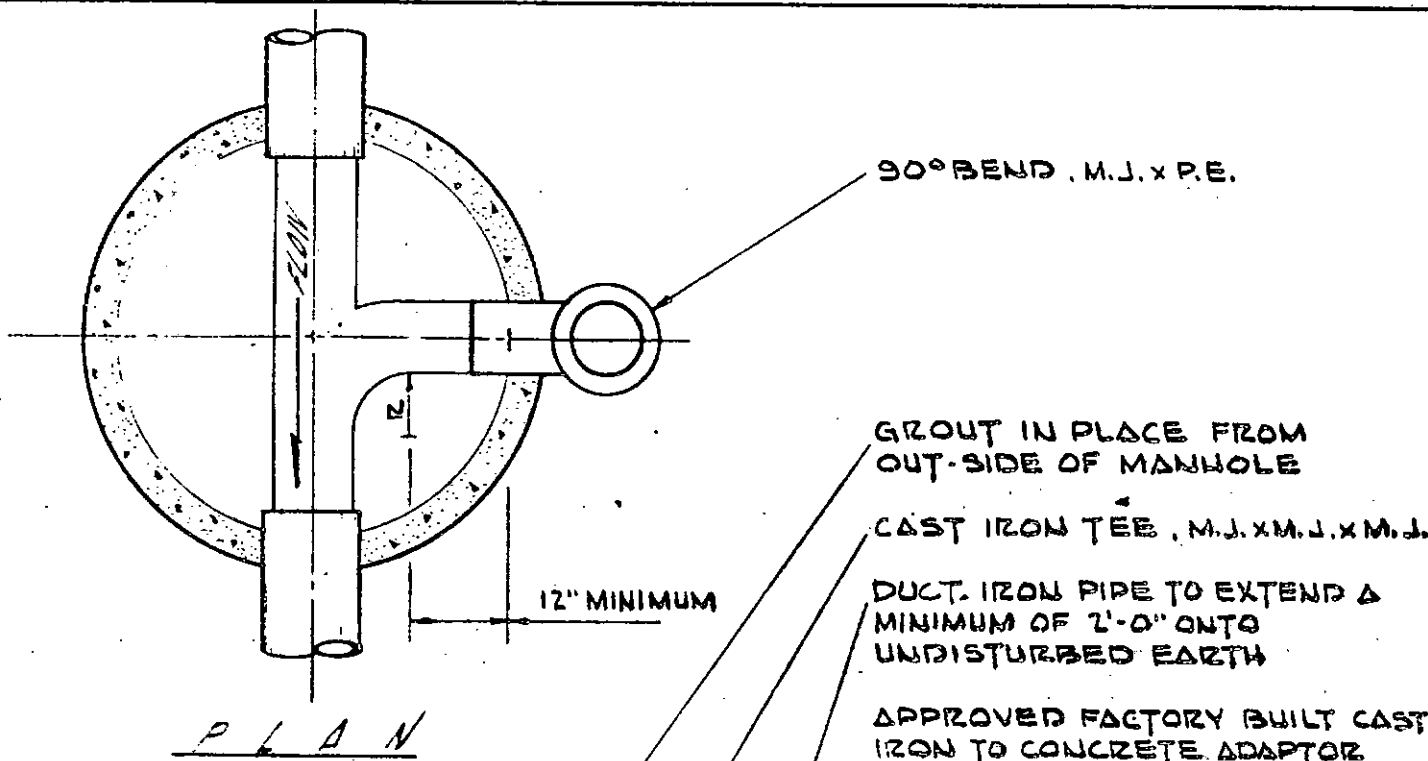
COMPACTED FOUNDATION GRAVEL AS DIRECTED

UNDISTURBED EARTH

ELEVATION

SHALLOW MANHOLE DETAILS

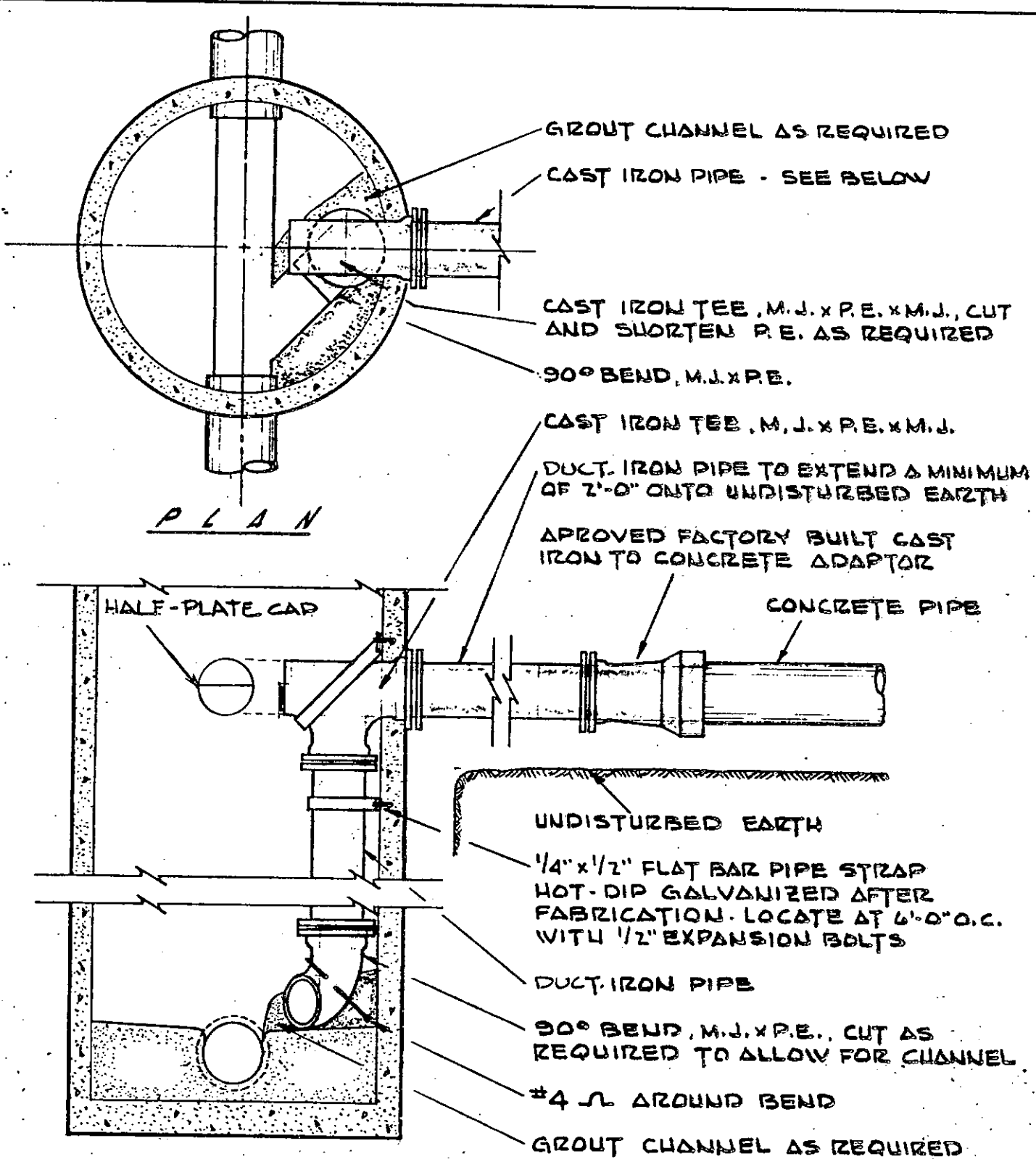
Gray + Osborne
CONSULTING ENGINEERS
SEATTLE & YAKIMA
WASHINGTON



NOTE:
 DUCTILE IRON PIPE SHALL BE CLASS B2 MINIMUM. FITTINGS SHALL BE CAST IRON CLASS "D".

OUTSIDE DROP MANHOLE DETAILS

Gray + Osborne Inc. P.E.
 CONSULTING ENGINEERS
 SEATTLE & YAKIMA
 WASHINGTON



PLAN

ELEVATION

NOTE:

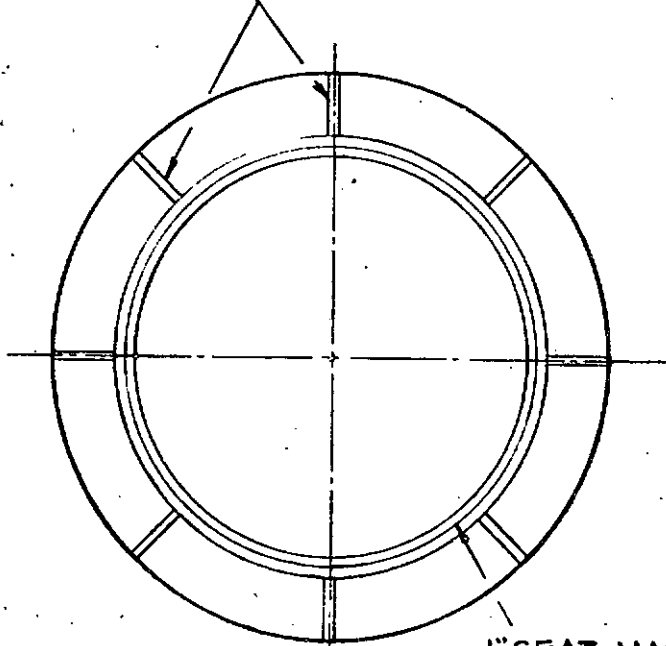
A. DUCTILE IRON PIPE SHALL BE CLASS 52 MINIMUM. FITTINGS SHALL BE CAST IRON CLASS "D".

B. THIS DETAIL TO BE USED ONLY UPON APPROVAL OF CITY.

INSIDE DROP MANHOLE DETAILS

Gray & Osborne, Inc.
CONSULTING ENGINEERS
SEATTLE & YAKIMA
WASHINGTON

8 WEBS 1/2" THICK

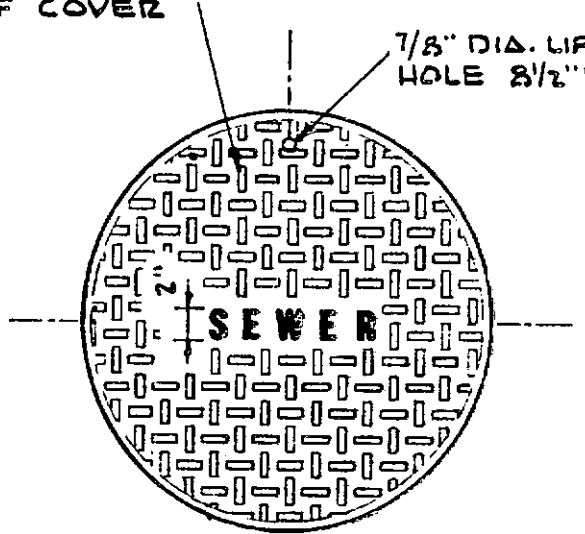


1" SEAT - MACHINED AND GROUND

PLAN

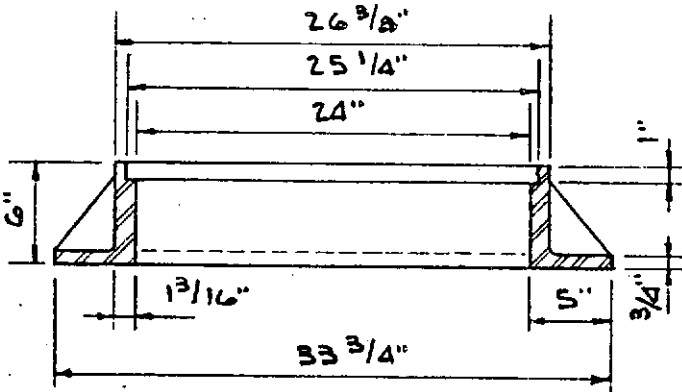
NONSKID PATTERN TO BE CAST INTEGRAL ON TOP OF COVER

7/8" DIA. LIFT HOLE 8 1/2" R.



PLAN

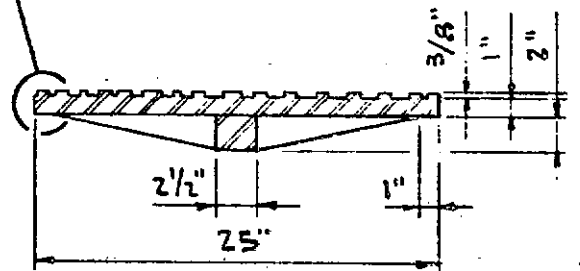
1/8" MAXIMUM ALLOWABLE TOLERANCE ALL AROUND BETWEEN MANHOLE FRAME AND COVER



SECTION

MANHOLE FRAME

MANHOLE COVER SHALL HAVE SQUARE MACHINED SURFACES



SECTION

MANHOLE COVER

NOTE:

COVER SHALL HAVE THE WORD "SEWER" CAST WITH 2" HIGH LETTERS AND RAISED 3/8"

TOTAL WEIGHT OF FRAME AND COVER SHALL BE 360 LBS. MINIMUM.

FRAME AND COVER SHALL BE A.P.W.A. PLAN NO. 42 OR OLYMPIC FOUNDARY NO. 5943 - W.S. MODIFIED TO HAVE 1EA. 7/8" DIAMETER LIFT HOLE

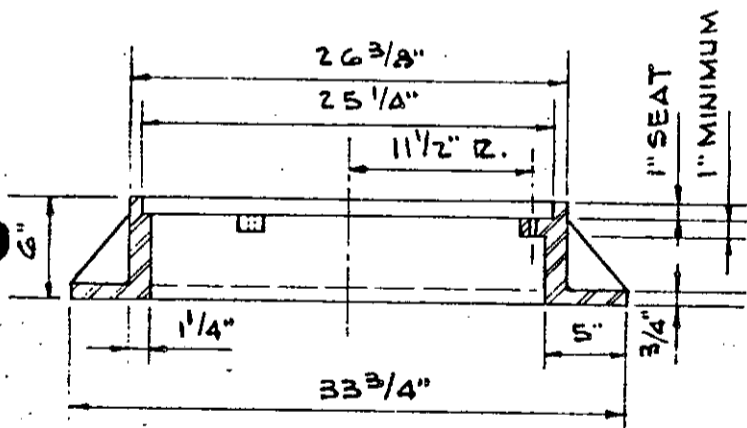
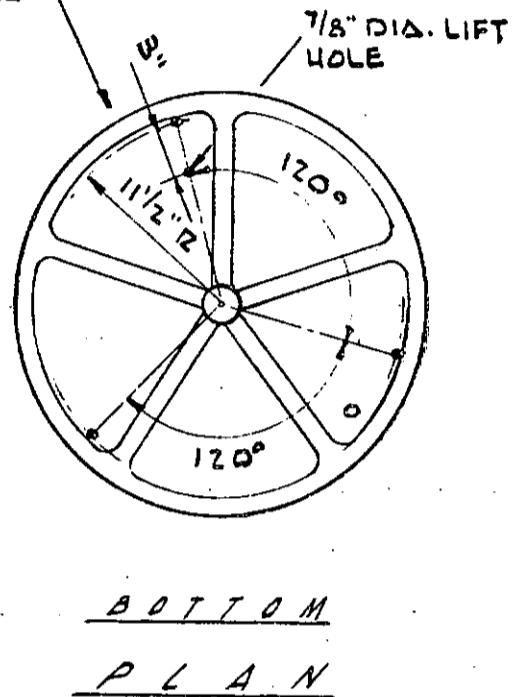
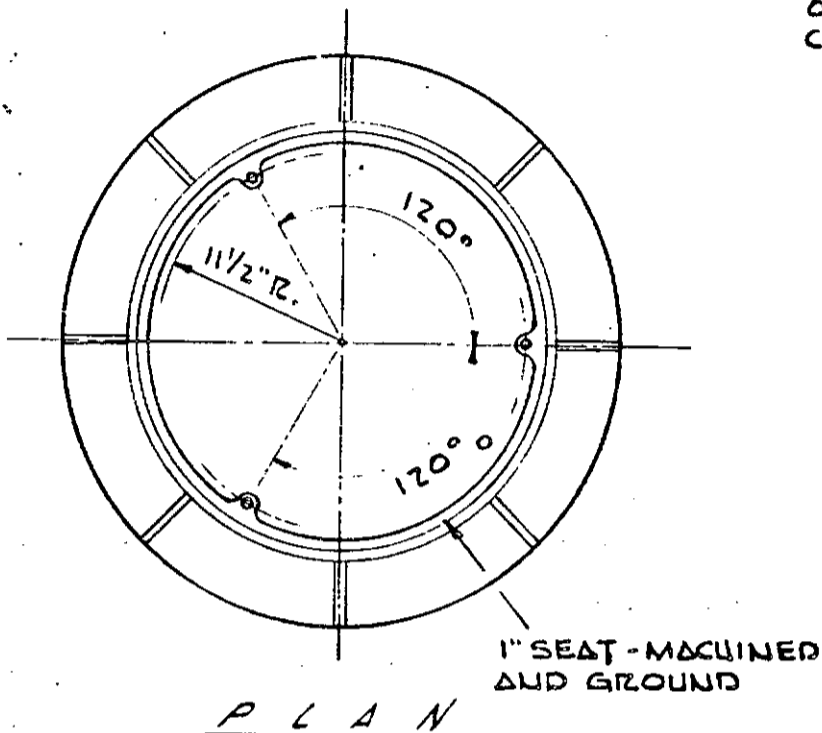
STANDARD MANHOLE FRAME & COVER

Gray & Osborne, Inc.

CONSULTING ENGINEERS
SEATTLE & YAKIMA
WASHINGTON

3 WEBS 1/2" THICK

NONSKID PATTERN TO BE CAST INTEGRAL WITH THE WORD "SEWER" ON TOP OF COVER AS PER STANDARD COVER



NOTE:
COVER SHALL BE AS PER STANDARD DETAIL AND PROVIDED WITH 3 EACH HOLES FOR LOCK DOWN PURPOSE

SECTION
MANHOLE FRAME

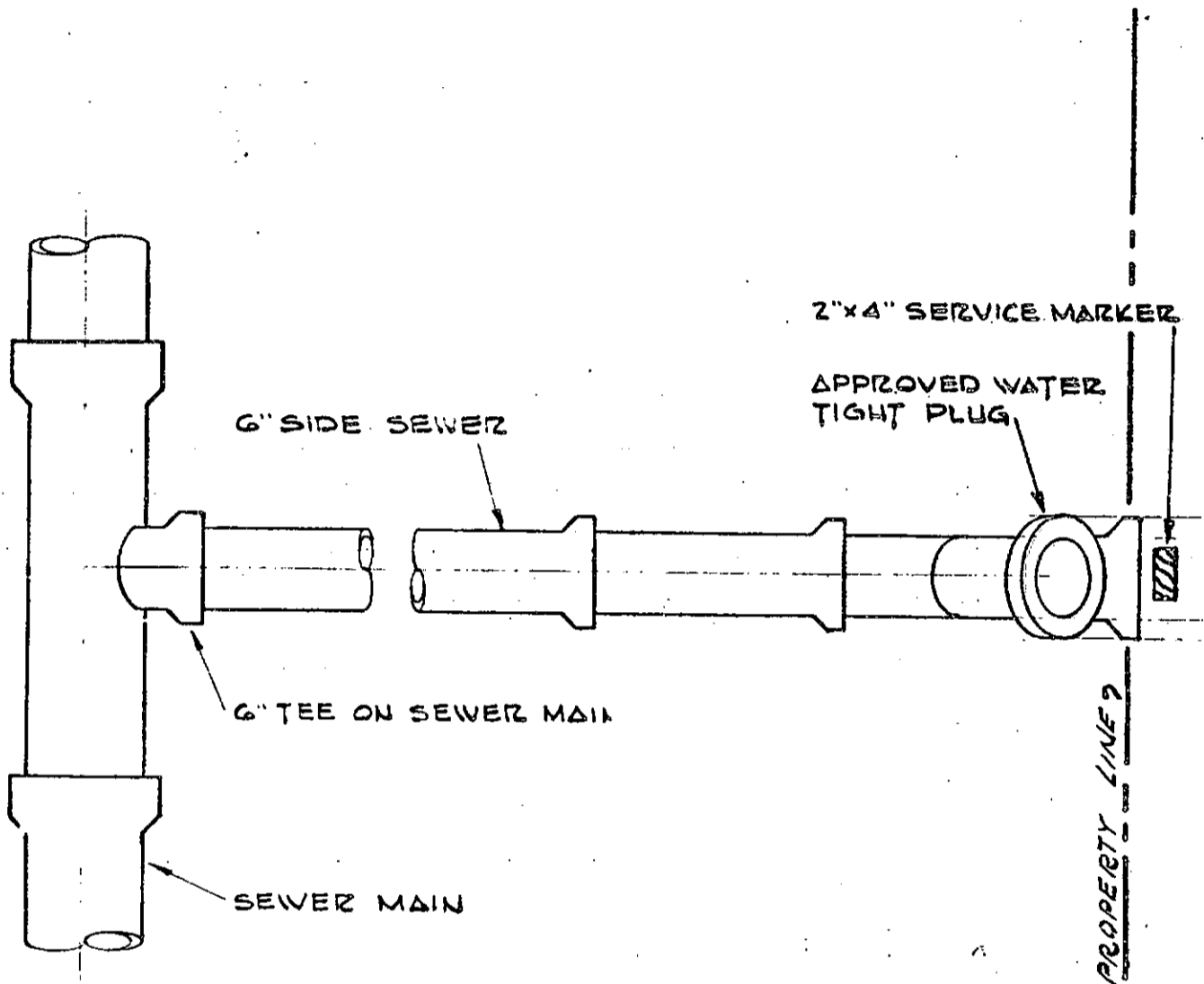
NOTE:
PROVIDE 3 EACH 5/8" 11 N.C. SOCKET HEAD SCREWS, 3 5/8" LONG

ALL HOLES FOR LOCKING IN COVER SHALL BE IN ALIGNMENT AND INTERCHANGABLE

TOTAL WEIGHT OF FRAME AND COVER SHALL BE 360 LBS. MINIMUM.

LOCK DOWN MANHOLE
FRAME & COVER

Gray & Osborne, Inc. P.S.
CONSULTING ENGINEERS
SEATTLE & YAKIMA
WASHINGTON



PLAN

SIDE SEWER DETAILS
PLAN

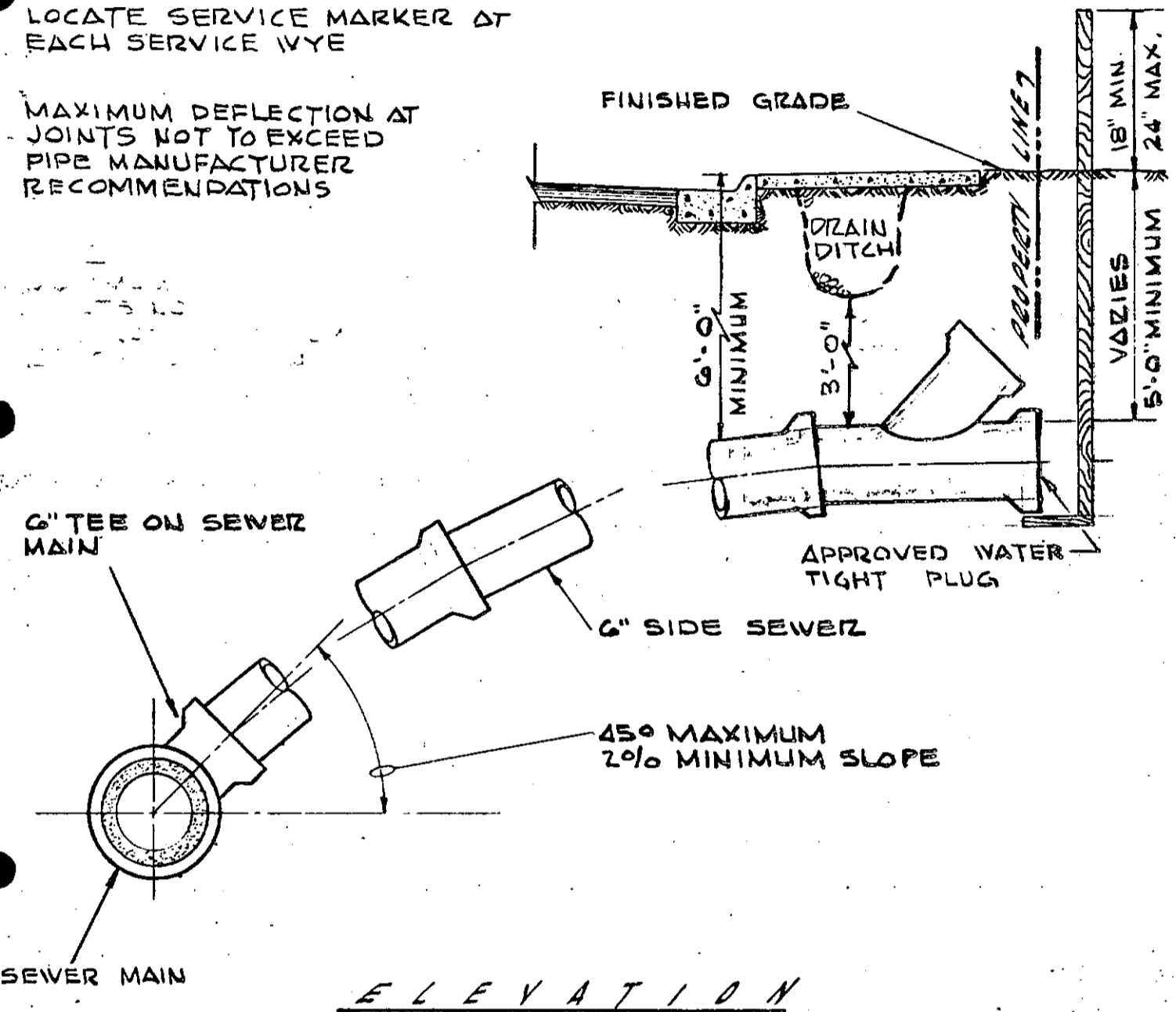
Gray & Osborne, Inc. P.E.
CONSULTING ENGINEERS
SEATTLE & YAKIMA
WASHINGTON

NOTE:

PAINT PORTION OF SERVICE MARKER THAT IS ABOVE GRADE WITH WHITE PAINT, STENCIL WITH BLACK LETTERS "S/S" USING 3" HIGH LETTERS

LOCATE SERVICE MARKER AT EACH SERVICE WYE

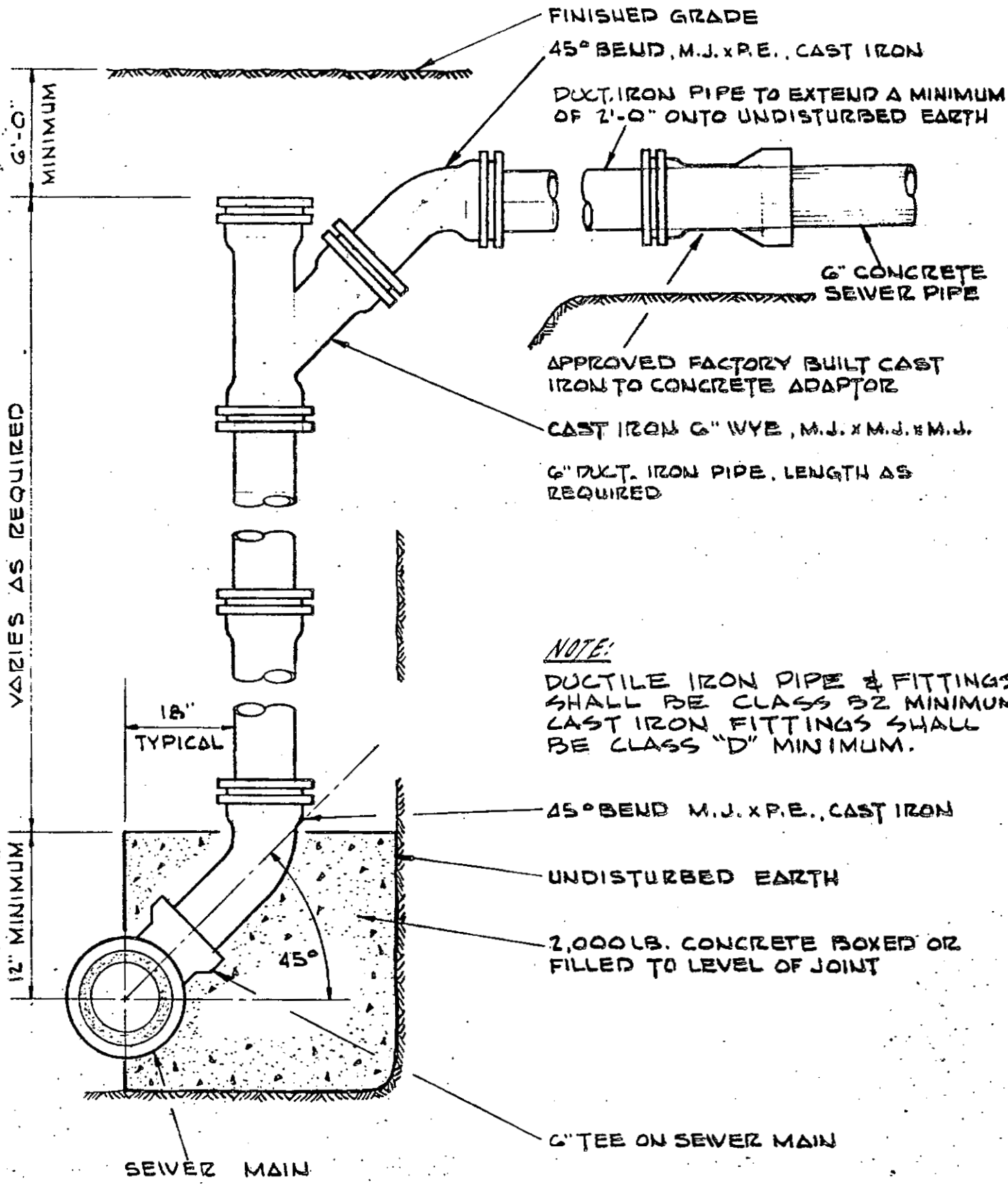
MAXIMUM DEFLECTION AT JOINTS NOT TO EXCEED PIPE MANUFACTURER RECOMMENDATIONS



ELEVATION

SIDE SEWER DETAILS
ELEVATION

Gray + Osborne & P.
CONSULTING ENGINEERS
SEATTLE & YAKIMA
WASHINGTON

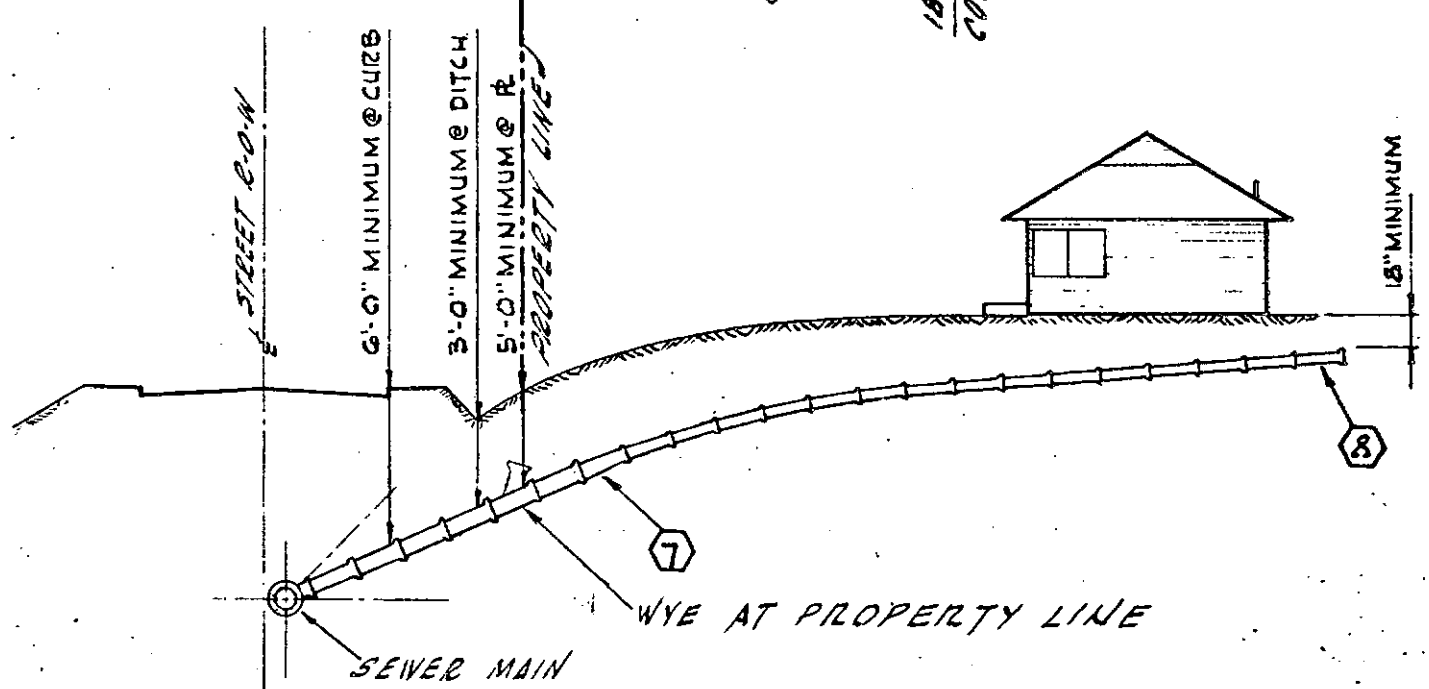
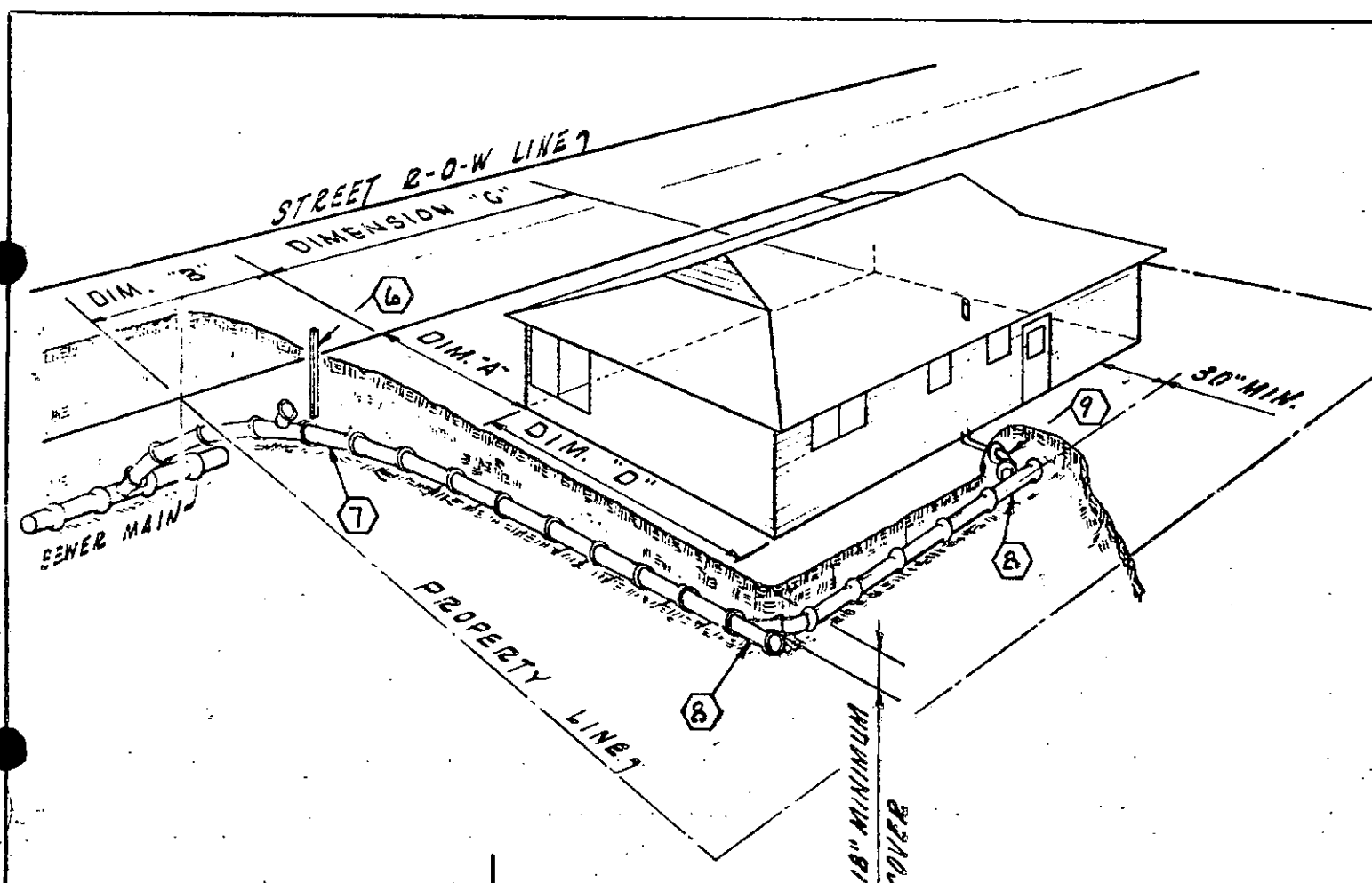


NOTE:
 DUCTILE IRON PIPE & FITTINGS SHALL BE CLASS B2 MINIMUM. CAST IRON FITTINGS SHALL BE CLASS "D" MINIMUM.

E L E V A T I O N

STANDING SIDE SEWER

Gray & Osborne, Inc.
 CONSULTING ENGINEERS
 SEATTLE & YAKIMA
 WASHINGTON



**SERVICE SEWERS ON
PRIVATE PROPERTY**

Gray + Osborne
CONSULTING ENGINEERS
SEATTLE & YAKIMA
WASHINGTON

GENERAL NOTES:

1. Legal description of lot must be provided.
2. Dimensions A, B, C & D which show the size and location of house on lot must be known to obtain a permit. If the lot is not rectangular or if the house is not parallel to both sides or front of lot, additional dimensions shall be furnished to accurately locate the house on the lot.
3. 6'-0" minimum cover at curb line and in alleys.
4. 5'-0" minimum cover at property line.
5. On private property minimum cover shall be 18" over top of pipe and minimum 30" out from house.
6. 2" by 4" service connection marker.
7. Standard 6" to 4" reducer.
8. Wye and 45° bend with approved watertight plug to fit manufacturer's pipe bell.
9. Connect house stack to side sewer connection with approved adapter.
10. Not over 100 feet between cleanouts. Cleanouts required for 45° bends and greater. Cleanout shall be a plugged tee or plugged wye lateral. All bends are to be made using wyes and cleanouts. Cleanouts must be brought up to a depth of 18" below finished grade.
11. No downspouts or outside drains are allowed to connect to side sewer.
12. Side sewer pipe shall be 4" or larger, cast iron, concrete, vitrified clay, asbestos cement or PVC ASTM 3034.
13. All materials used in the construction of any side sewer installation shall have prior approval of the City Superintendent.

SIDE SEWER REQUIREMENTS:

All joints shall be rubber gasket type. Parallel water and sewer lines shall be 10 feet apart horizontally wherever possible. Side sewer shall be inspected by Engineer prior to backfilling. Side sewer shall be plugged and tested in presence of Engineer/Inspector by filling with water. Leakage rate shall not exceed 0.31 gal./hr. for 4" pipe and 0.47 gal./hr. for 6" pipe, per 100 feet of pipe.

6" Sewer Pipe

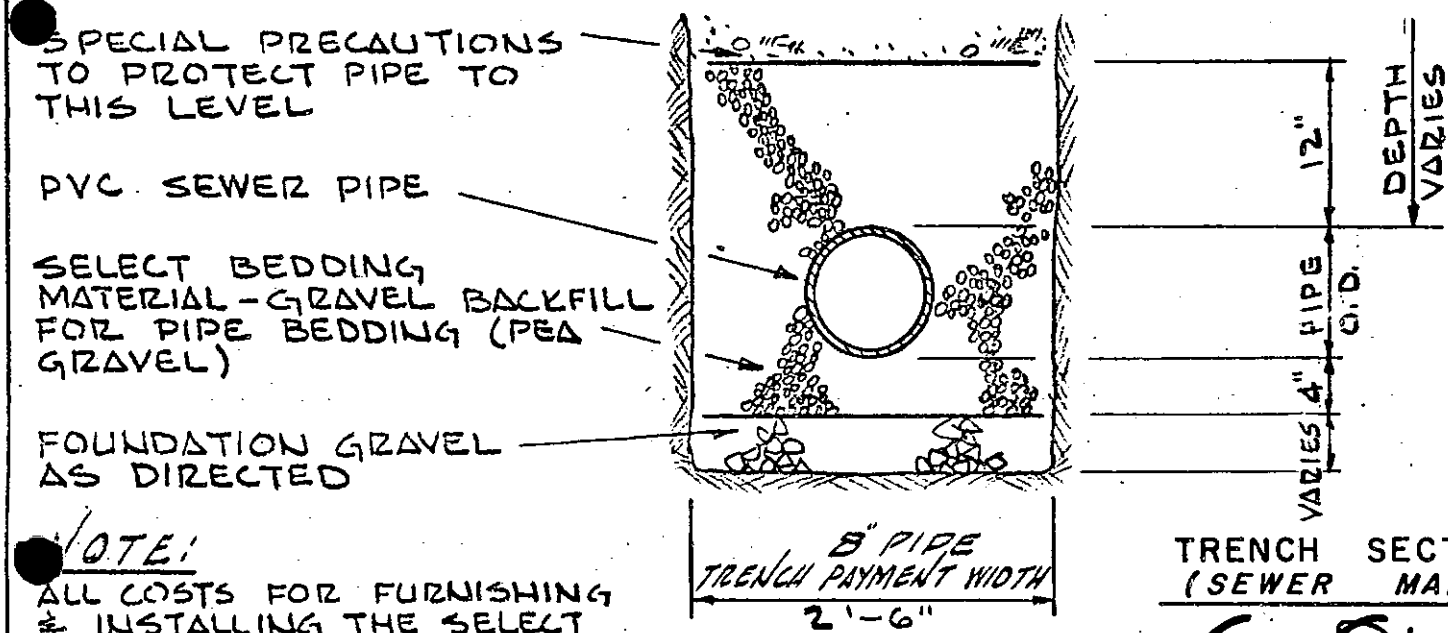
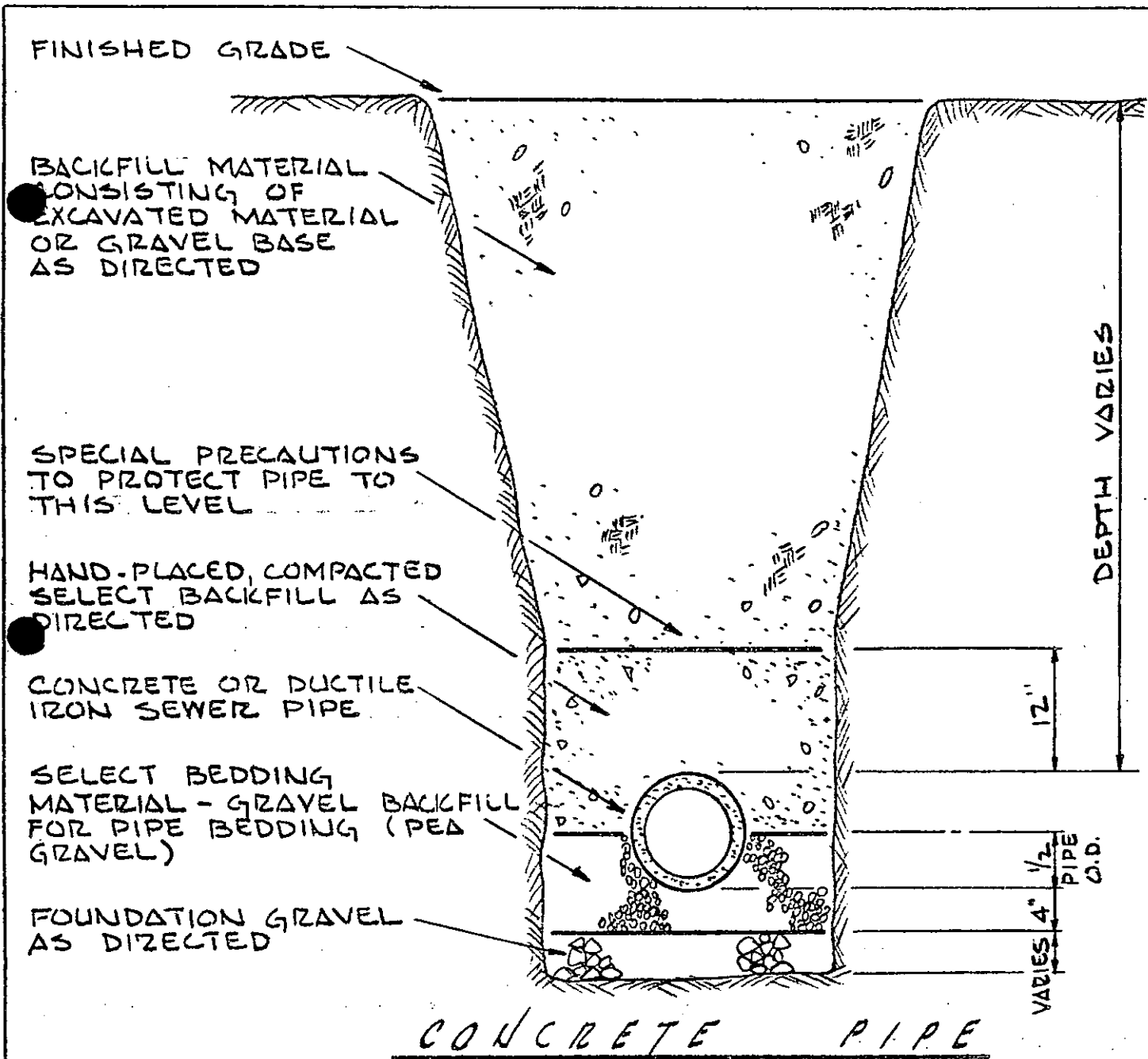
6 inch sewer pipe is required in the street right of way and shall have a 2% minimum grade. Construction in street must be done by a licensed side sewer contractor and requires a permit.

4" Sewer Pipe

4 inch (minimum size) sewer pipe is required on private property at 2% minimum grade (1/4 inch fall per foot). Construction on private property may be done by owner but requires a permit.

GENERAL NOTES
SERVICE SEWERS ON
PRIVATE PROPERTY

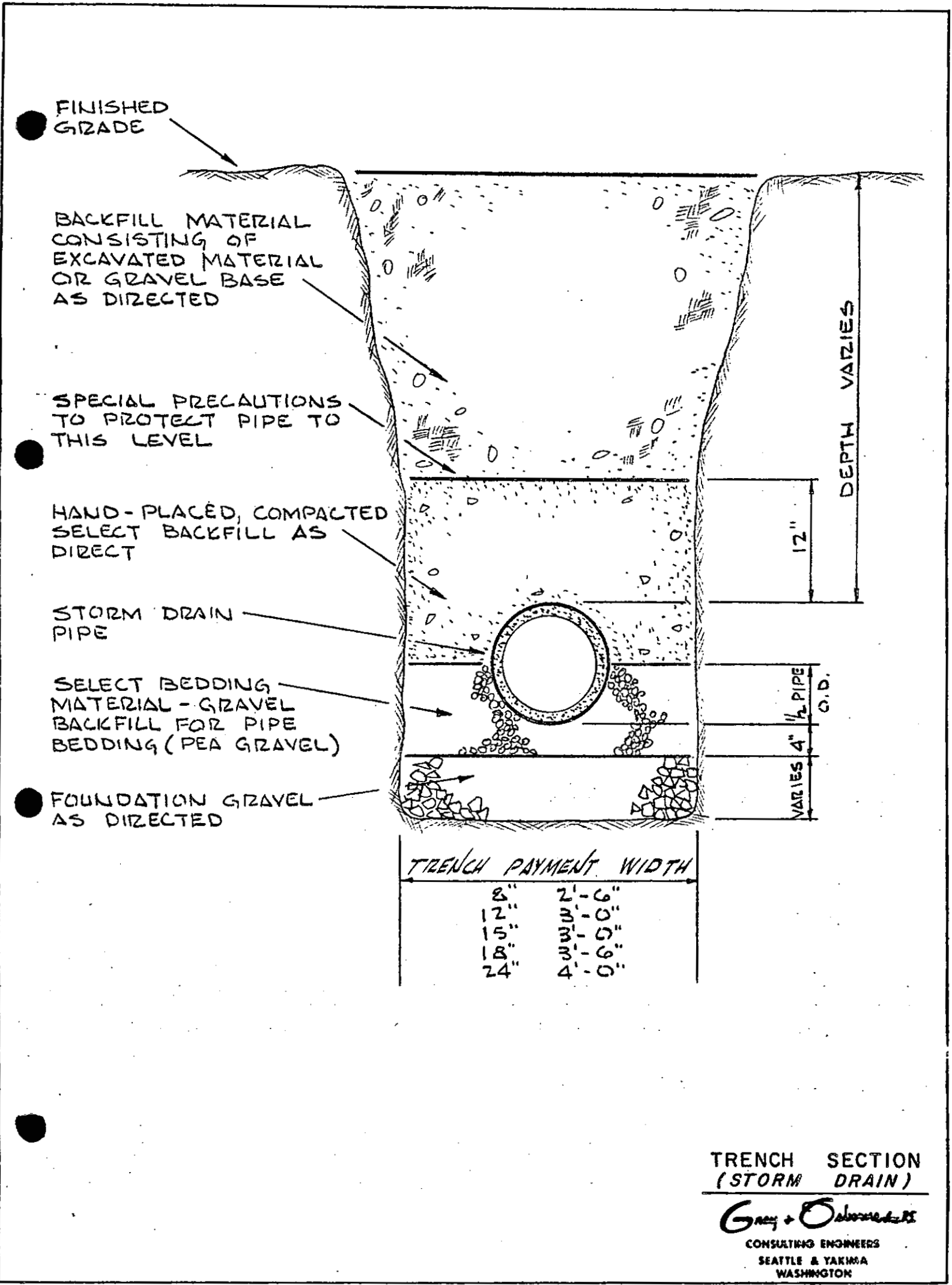
Gray & Osborne, Inc.
CONSULTING ENGINEERS
SEATTLE & YAKIMA
WASHINGTON



NOTE:
 ALL COSTS FOR FURNISHING & INSTALLING THE SELECT BEDDING MATERIAL SHALL BE INCLUDED IN THE UNIT PRICE BID FOR SEWER PIPE

TRENCH SECTION (SEWER MAIN)

Gray & Osborne, P.S.
 CONSULTING ENGINEERS
 SEATTLE & YAKIMA
 WASHINGTON



TRENCH PAYMENT WIDTH

8"	2'-6"
12"	2'-0"
15"	1'-6"
18"	1'-0"
24"	4'-0"

TRENCH SECTION
(STORM DRAIN)

Gray + Osborne
CONSULTING ENGINEERS
SEATTLE & YAKIMA
WASHINGTON

FINISHED GRADE

BACKFILL MATERIAL
CONSISTING OF
EXCAVATED MATERIAL
OR GRAVEL BASE
AS DIRECTED

SPECIAL PRECAUTIONS
TO PROTECT PIPE TO
THIS LEVEL

HAND PLACED, COMPACTED
SELECT BACKFILL AS
DIRECTED

WATER MAIN PIPE

FOUNDATION GRAVEL
AS DIRECTED

3'-0" MINIMUM COVER

12"

PIPE O.D.

VARIES 4"

TRENCH PAYMENT WIDTH

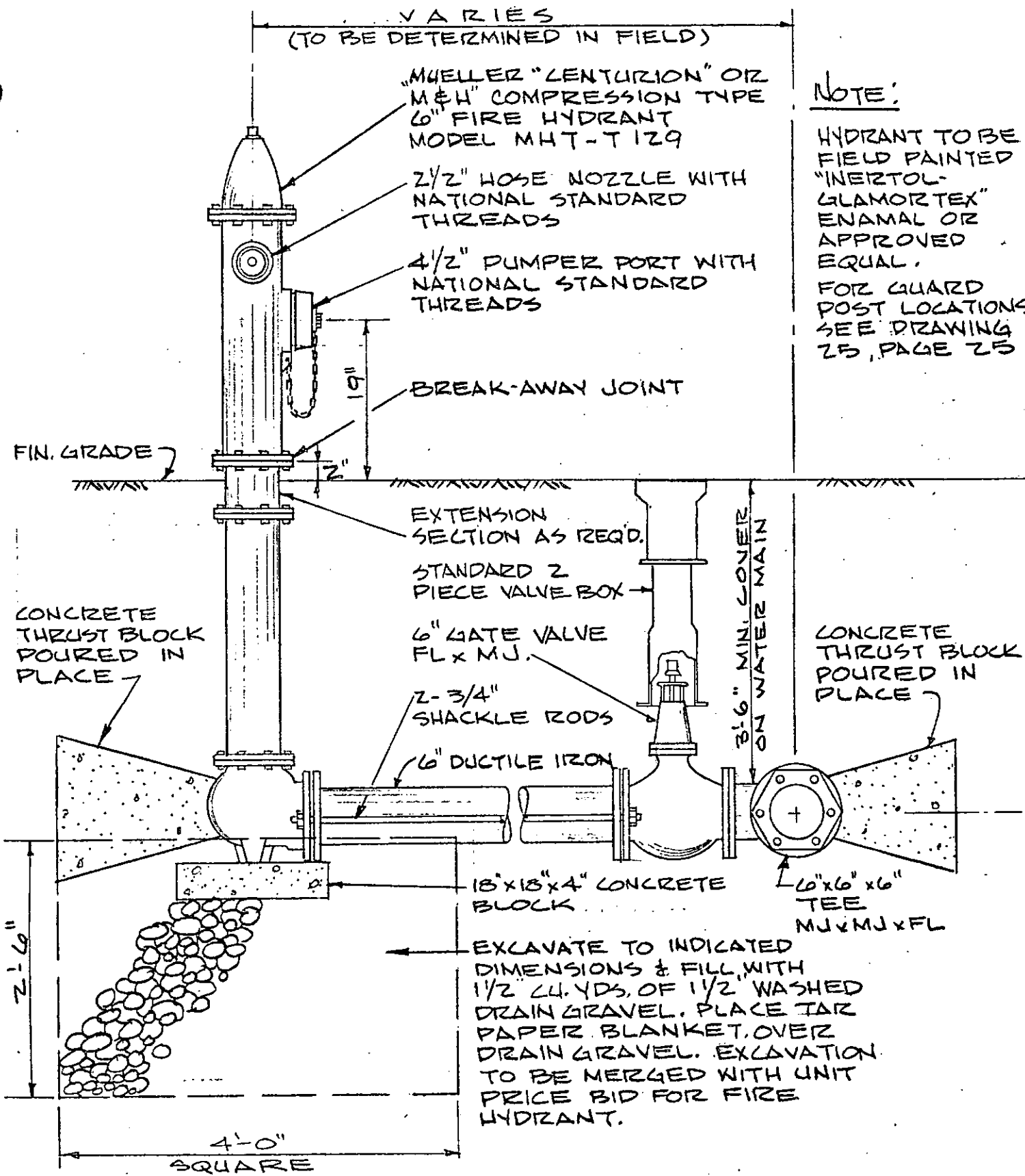
4'-0" TO 6'-0"

2'-0" TO 3'-0"

3'-0" TO 6'-0"

TRENCH SECTION
(WATER MAIN)

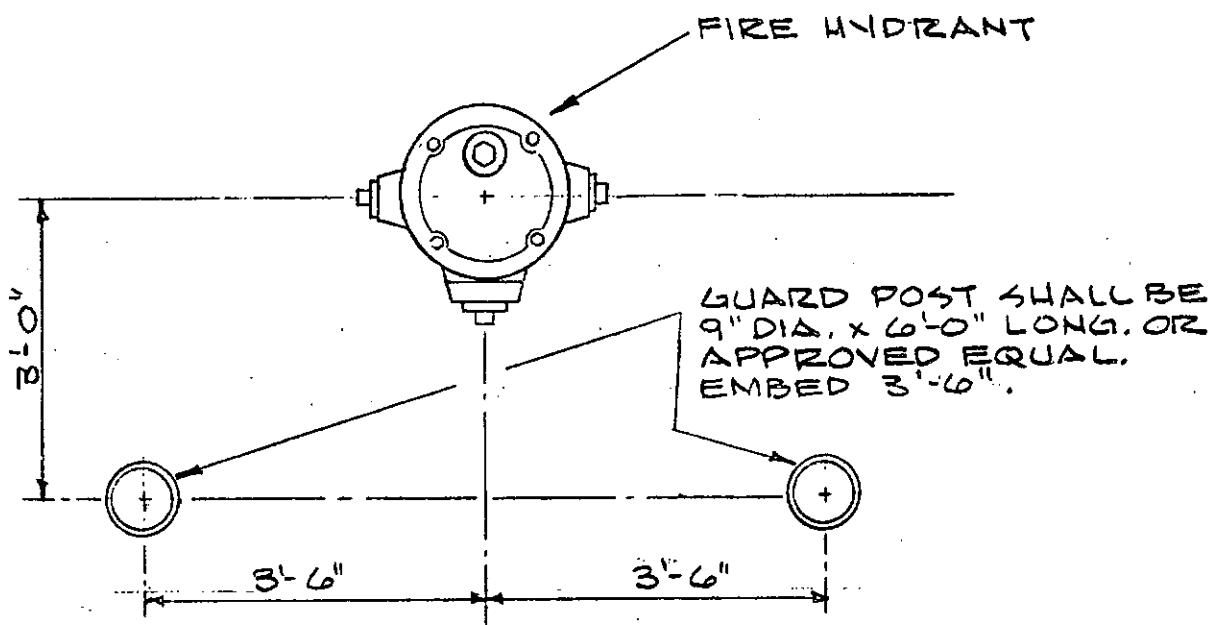
Gray + Osborne & Co.
CONSULTING ENGINEERS
SEATTLE & YAKIMA
WASHINGTON



NOTE:
HYDRANT TO BE
FIELD PAINTED
"INERTOL-
GLAMORTEX"
ENAMEL OR
APPROVED
EQUAL.
FOR GUARD
POST LOCATIONS
SEE DRAWING
Z5, PAGE Z5

FIRE HYDRANT DETAIL
NOT TO SCALE

Gray & Osborne, Inc.
CONSULTING ENGINEERS
SEATTLE & YAKIMA
WASHINGTON

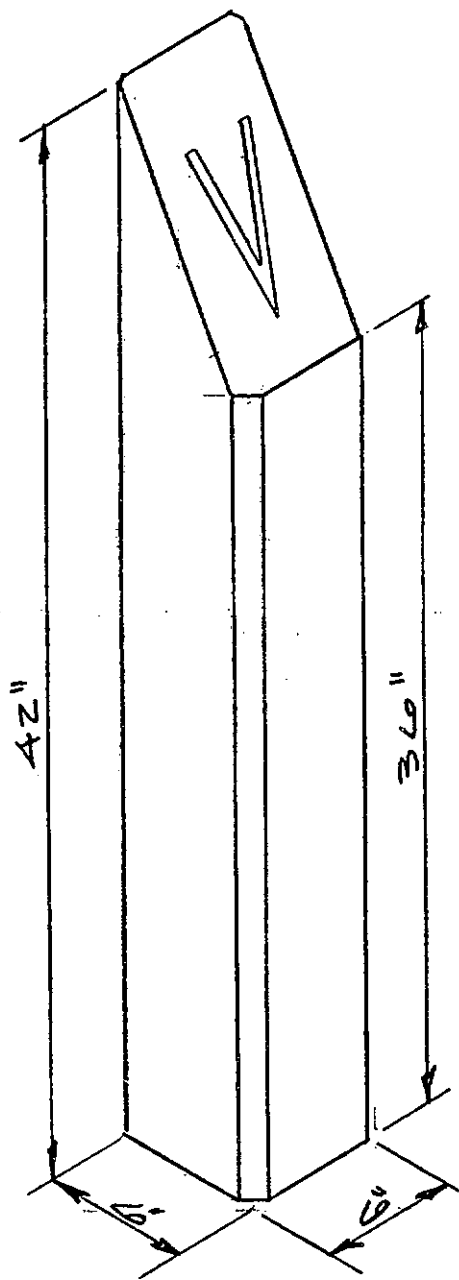


GUARD POST DETAIL
NOT TO SCALE

Gray & Osborne, Inc. P.S.
CONSULTING ENGINEERS
SEATTLE & YAKIMA
WASHINGTON

NOTE:

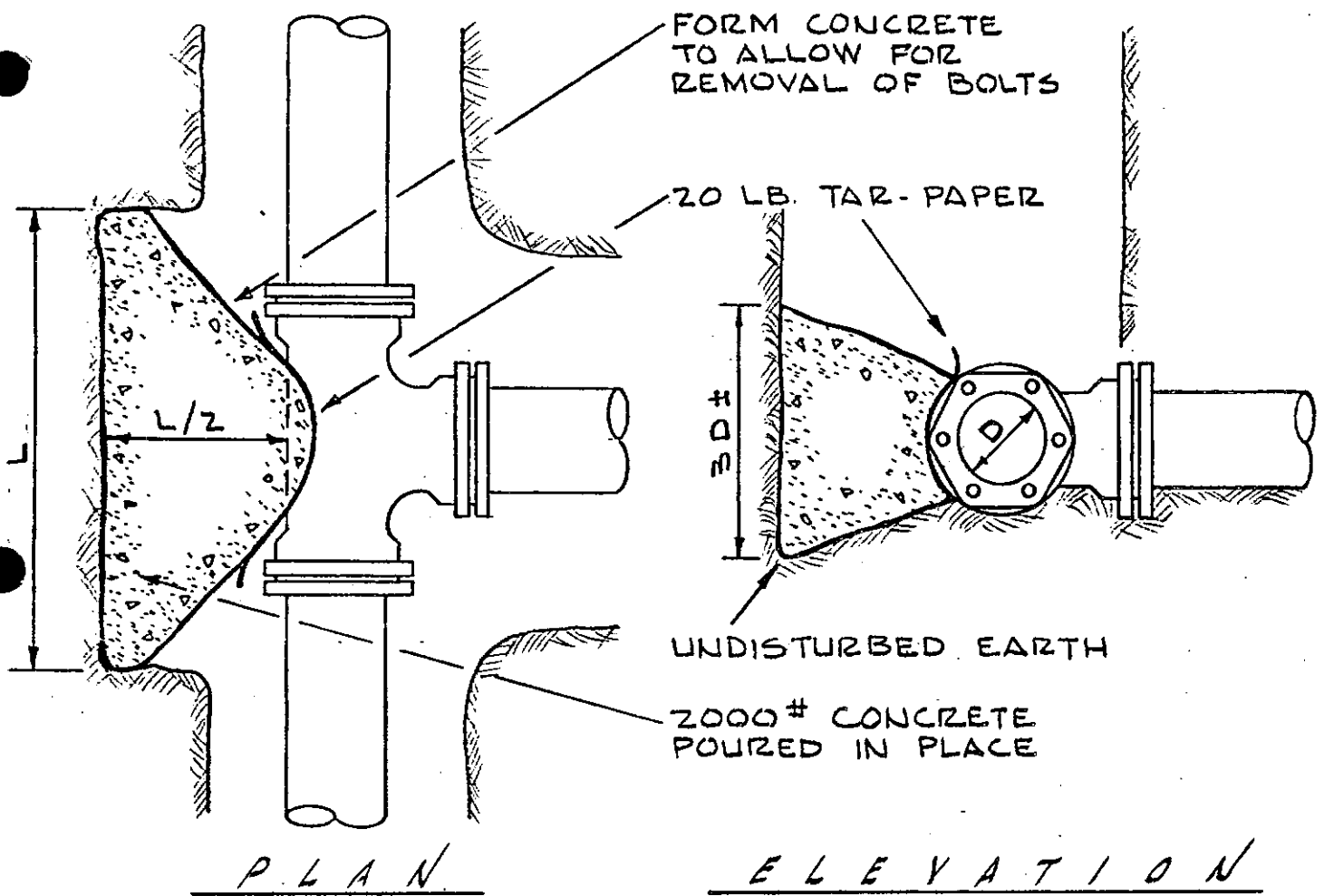
CONTRACTOR TO PAINT
CONCRETE VALVE
MARKER YELLOW /W
BLACK LETTERS
SHOWING VALVE SIZE &
DISTANCE FROM MARKER.



TAPER TO 4"x4"

VALVE MARKER
NOT TO SCALE

Gray & Osborne, Inc. P.S.
CONSULTING ENGINEERS
SEATTLE & YAKIMA
WASHINGTON



B E A R I N G A R E A T A B L E

FITTING	TEE	90°	45°	22 1/2°	11 1/4°
6"	4 SQ FT	6 SQ FT	3 SQ FT	2 SQ FT	2 SQ FT
8"	7 SQ FT	10 SQ FT	6 SQ FT	3 SQ FT	2 SQ FT
10"	10 SQ FT	15 SQ FT	9 SQ FT	5 SQ FT	3 SQ FT
12"	14 SQ FT	22 SQ FT	12 SQ FT	6 SQ FT	4 SQ FT
16"	24 SQ FT	38 SQ FT	21 SQ FT	11 SQ FT	7 SQ FT
18"	32 SQ FT	48 SQ FT	27 SQ FT	14 SQ FT	8 SQ FT

THRUST BLOCK DETAILS

Gray + Osborne, Inc. P.E.
 CONSULTING ENGINEERS
 SEATTLE & YAKIMA
 WASHINGTON

RELOCATE EXISTING METER AT PROPERTY LINE, INSTALL NEW METER BOX FOR EACH SERVICE RELOCATED.
 "BROOKS" METER BOX
 3/4" - 1" #1419
 1 1/2" #1324
 2" #1730

PROPERTY LINE

FINISHED GRADE

12"

31 6" MIN. COVER ON WATER MAIN

3'-0" MIN.

160# PLASTIC PIPE (IRON PIPE SIZE) FOR 3/4" - 3/4" - 7 POLY PIPE HIGH MOL. & 1" DIA. SERVICES

PVC CLASS 200 OR SCH. 80, IRON PIPE FOR 1 1/2" - 2" DIA. SERVICES

CONNECT TO EXISTING SERVICE

LOPPERSETTER "FORD" V72-87

90° DESIRED
 45° MIN.

PTF 1 (3/4")
 PTF 2 (1")

LOPPERSTOP FORD F-500

SADDLE REQUIRED FOR ALL SERVICES TAPPED ON ALL WATER MAINS

NOTE:
 ANY METERS DAMAGED OR CLOGGED DURING CONSTRUCTION SHALL BE REPLACED BY THE CITY & BACKCHARGED TO THE CONTRACTOR.

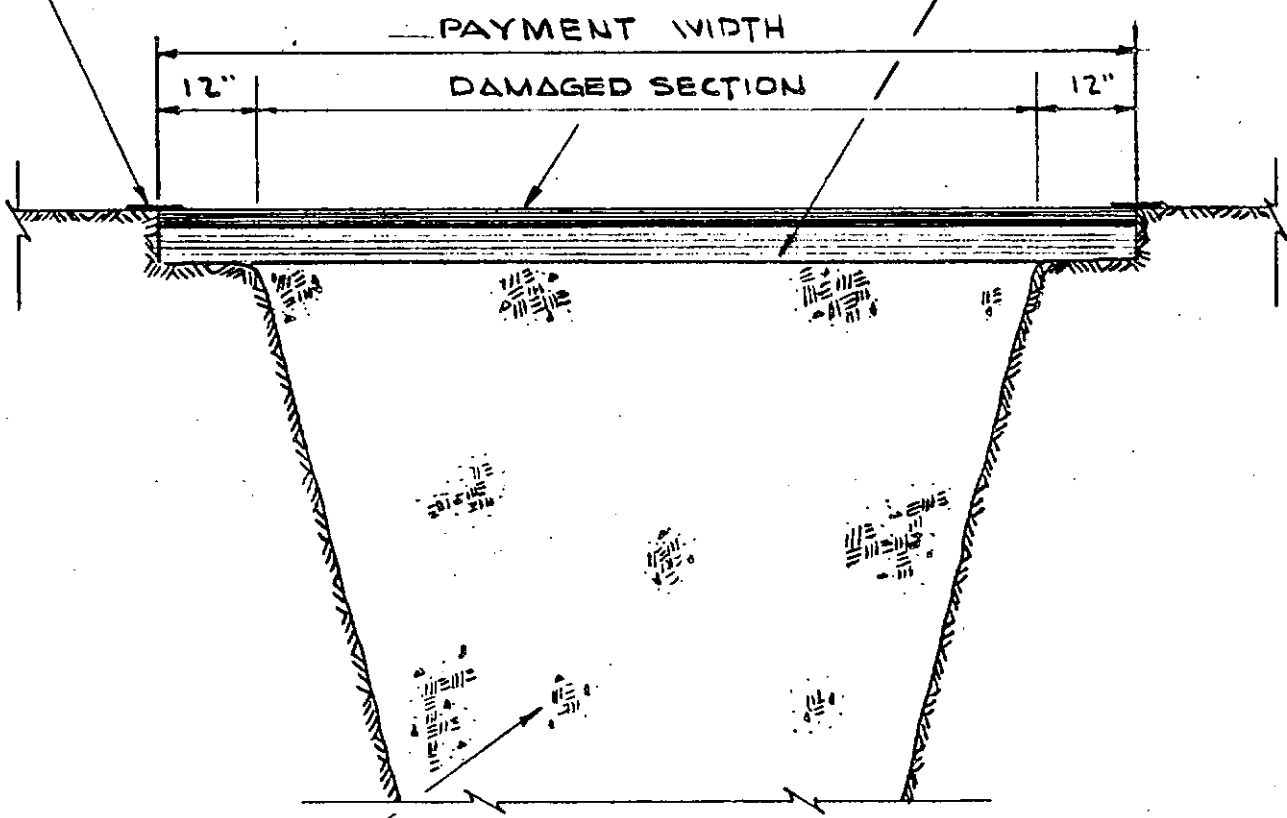
WATER SERVICE CONNECTION

Gray + Osbourne
 CONSULTING ENGINEERS
 SEATTLE & YAKIMA
 WASHINGTON

CUT AND TRIM ALL EDGES SQUARE. SEAL WITH 85-150 PENETRATING ASPHALT

2" MINIMUM COMPACTED THICKNESS ASPHALT CONCRETE CLASS "B" THICKNESS TO BE EQUAL TO OR GREATER THAN EXISTING PAVEMENT

3" COMPACTED THICKNESS OF ASPHALT TREATED BASE



COMPACTED BACKFILL AS DIRECTED

PAYMENT WIDTH	UNDER 8' DEEP		OVER 8' DEEP	
	UNDER 8' DEEP	OVER 8' DEEP	UNDER 8' DEEP	OVER 8' DEEP
6"	6'-0"	8'-0"	8'-0"	8'-0"
8"	6'-0"	8'-0"	8'-0"	8'-0"
10"	6'-0"	8'-0"	8'-0"	8'-0"
12"	6'-0"	8'-0"	8'-0"	8'-0"
15"	8'-0"	10'-0"	10'-0"	10'-0"
18"	8'-0"	10'-0"	10'-0"	10'-0"
24"	8'-0"	10'-0"	10'-0"	10'-0"

ASPHALT PAVEMENT REPAIR

Gray & Osborne, Inc. P.E.
 CONSULTING ENGINEERS
 SEATTLE & YAKIMA
 WASHINGTON

ORDINANCE No. 483 PASSED by the City Council and APPROVED by the Mayor of
the City of Snoqualmie, Washington, this 28th day of July, 1980.

SIGNED: Charles S. Peterson
CHARLES S. PETERSON, MAYOR

ATTEST:

Mary Kohlschmidt
MARY KOHLSCHMIDT, CITY CLERK

NO. 281088

CITY OF SNOQUALMIE
AGREEMENT FOR CONSULTANT SERVICES
Contract Title:

THIS AGREEMENT made and entered into by and between the CITY OF SNOQUALMIE, a Washington municipal corporation (the "City"), and Perteet Inc., an employee-owned corporation ("Consultant") is dated this 27th day of January 2025.

Consultant Business: Perteet Inc.
Consultant Address: 38579 SE River St., Suite 1,
PO Box 908
Snoqualmie, WA 98065

Consultant Phone: 425-888-5825

Consultant Fax:

Contact Name: Rahmi Kutsal, PE

Contact e-mail: rahmi.kutsal@perteet.com

Federal Employee ID No.: 91-1505037

Authorized City Representative for this contract: Emily Arteche, Community Development Department Director

WHEREAS, the City desires a City of Snoqualmie Design and Construction Standards;

WHEREAS, public convenience and necessity require the City to obtain the services of a consultant with expertise in the area of civil engineering and Snoqualmie Ridge 1 and 2 development reviews and inspections; and

WHEREAS, the City finds that Consultant is qualified to perform and is experienced in performing the required services; and

WHEREAS, the city desires to engage the Consultant to a compile a City of Snoqualmie Design and Construction Standards.

NOW, THEREFORE, the parties herein do mutually agree as follows:

1. Employment of Consultant.

A. The City retains the Consultant to provide the services described in "Exhibit A" (the "Work"). Any inconsistency between this Agreement and the Scope of Work shall be resolved in favor of this Agreement. The Consultant shall perform the Work according to the terms and conditions of this Agreement.

B. The City may revise the Work and the compensation only by a written Change Order signed by the authorized City representative that shall become a part of this Agreement.

C. The project manager(s) of the Work shall be Rahmi Kutsal, PE. The project manager(s) shall not be replaced without the prior written consent of the City.

D. Work shall commence when the City issues a notice to proceed and it shall be completed no later than December 2026, unless the completion date is extended in writing by the City.

2. Compensation.

A. The total compensation to be paid to Consultant, including all services and expenses, shall not exceed \$ 156,454.47 as shown on Exhibit B, which shall be full compensation for the Work. Consultant shall notify the City when its requests for payment reach eighty-five percent of the total compensation.

B. The Consultant shall be paid in such amounts and in such manner as described in Exhibit B.

C. Consultant shall be reimbursed for Eligible Expenses actually incurred. “Eligible Expenses” means those types and amounts of expenses that are approved for reimbursement by the City in writing before the expense is incurred. If travel and/or overnight lodging is authorized, Consultant shall lodge within the corporate limits of City.

3. Request for Payment.

A. Not more than once every thirty days the Consultant shall file its request for payment, accompanied by evidence satisfactory to the City justifying the request for payment, including a report of Work accomplished and tasks completed, and an itemization of Eligible Expenses with copies of receipts and invoices.

B. All requests for payment should be sent to

Community Development Invoices:
CommunityDevelopmentInvoices@snoqualmieva.gov

Or
 City of Snoqualmie
 Community Development Department
 38624 SE River Street
 P.O. Box 987
 Snoqualmie, WA 98065

4. Work Product.

A. The Consultant shall submit all reports and other documents specified in Exhibit A according to the schedule established in Exhibit A. If, after review by the City, the information is found to be unacceptable, Consultant, at its expense, shall expeditiously correct such unacceptable work. If Consultant fails to correct unacceptable work, the City may withhold from any payment due an amount that the City reasonably believes will equal the cost of correcting the work.

B. All reports, drawings, plans, specifications, and intangible property created in furtherance of the Work, and any intellectual property in such documents, are property of the City and may be used by the City for any purpose; provided that re-use without Consultant’s permission shall be at the City’s sole risk.

5. Termination of Contract. City may terminate this Agreement by sending a written notice of termination to Consultant (“Notice”) that specifies a termination date (“Termination Date”) at least fourteen (14) days after the date of the Notice; provided, however, that in the event of a material breach of this Agreement, termination may be effective immediately or upon such date as determined by the City in its sole discretion. For purposes of this Agreement, “material breach” is defined as

misfeasance, malfeasance or violation of any criminal law, ordinance or regulation.. Upon receipt of the Notice, the Consultant shall acknowledge receipt to the City in writing and immediately commence to end the Work in a reasonable and orderly manner. Unless terminated for Consultant’s material breach, the Consultant shall be paid or reimbursed for all hours worked and Eligible Expenses incurred up to the Termination date, less all payments previously made; provided that work performed after date of the Notice is reasonably necessary to terminate the Work in an orderly manner. The Notice may be sent by any method reasonably believed to provide Consultant actual notice in a timely manner

6. Assignment of Contract – Subcontractors. Consultant shall not assign this contract or sub-contract or assign any of the Work without the prior written consent of the City.

7. Indemnification.

A. To the extent provided by law and irrespective of any insurance required of the Consultant, the Consultant shall defend and indemnify the City from any and all Claims arising out of or in any way relating to this Agreement; provided, however, the requirements of this paragraph shall not apply to that portion of such Claim that reflects the percentage of negligence of the City compared to the total negligence of all persons, firms or corporations that resulted in the Claim.

B. Consultant agrees that the provisions of this paragraph 7 apply to any claim of injury or damage to the persons or property of consultant’s employees. As to such claims and with respect to the City only, consultant waives any right of immunity, which it may have under industrial insurance (Title 51 RCW and any amendment thereof or substitution therefore). THIS WAIVER IS SPECIFICALLY NEGOTIATED BY THE PARTIES AND IS SOLELY FOR THE BENEFIT OF THE CITY AND CONSULTANT.

C. As used in this paragraph: (1) “City” includes the City’s officers, employees, agents, and representatives; (2) “Consultant” includes employees, agents, representatives sub-consultants; and (3) “Claims” include, but is not limited to, any and all losses, claims, causes of action, demands, expenses, attorney’s fees and litigation expenses, suits, judgments, or damage arising from injury to persons or property.

D. Consultant shall ensure that each sub-consultant shall agree to defend and indemnify the City to the extent and on the same terms and conditions as the Consultant pursuant to this paragraph.

8. Insurance.

A. Consultant shall comply with the following conditions and procure and keep in force at all times during the term of this Agreement, at Consultant’s expense, the following policies of insurance with companies authorized to do business in the State of Washington. The Consultant’s insurance shall be rated by A. M. Best Company at least “A” or better with a numerical rating of no less than seven (7) and otherwise acceptable to the City.

- 1. Workers’ Compensation Insurance as required by Washington law and Employer’s Liability Insurance with limits not less than \$1,000,000 per occurrence. If the City authorizes sublet work, the Consultant shall require each sub-consultant to provide Workers’ Compensation Insurance for its employees, unless the Consultant covers such employees.
- 2. Commercial General Liability Insurance on an occurrence basis in an amount not less than \$1,000,000 per occurrence and at least \$2,000,000 in the annual aggregate, including but not limited to: premises/operations (including off-site operations), blanket contractual liability and broad form property damage.

3. Business Automobile Liability Insurance in an amount not less than \$1,000,000 per occurrence, extending to any automobile used by Consultant in the course of the Work. A statement by Consultant and approved by the City Administrator, certifying that no vehicle will be used in accomplishing this Agreement, may be substituted for this insurance requirement.
4. Professional Errors and Omissions Insurance in an amount not less than \$1,000,000 per occurrence and \$1,000,000 in the annual aggregate. Coverage may be written on a claims made basis; provided that the retroactive date on the policy or any renewal policy shall be the effective date of this Agreement or prior, and that the extended reporting or discovery period shall not be less than 36 months following expiration of the policy. The City may waive the requirement for Professional Errors and Omissions Insurance whenever the Work does not warrant such coverage or the coverage is not available.
5. Each policy shall contain a provision that the policy shall not be canceled or materially changed without 30 days prior written notice to the City.

Upon written request to the City, the insurer will furnish, before or during performance of any Work, a copy of any policy cited above, certified to be a true and complete copy of the original.

B. Before the Consultant performs any Work, Consultant shall provide the City with a Certificate of Insurance acceptable to the City Attorney evidencing the above-required insurance and naming the City of Snoqualmie, its officers, employees and agents as Additional Insured on the Commercial General Liability Insurance policy and the Business Automobile Liability Insurance policy with respect to the operations performed and services provided under this Agreement and that such insurance shall apply as primary insurance on behalf of such Additional Insured. Receipt by the City of any certificate showing less coverage than required is not a waiver of the Consultant's obligations to fulfill the requirements.

C. Consultant shall comply with the provisions of Title 51 of the Revised Code of Washington before commencing the performance of the Work. Consultant shall provide the City with evidence of Workers' Compensation Insurance (or evidence of qualified self-insurance) before any Work is commenced.

D. In case of the breach of any provision of this section, the City may provide and maintain at the expense of Consultant insurance in the name of the Consultant and deduct the cost of providing and maintaining such insurance from any sums due to Consultant under this Agreement, or the City may demand Consultant to promptly reimburse the City for such cost.

9. Independent Contractor. The Consultant is an independent Contractor responsible for complying with all obligations of an employer imposed under federal or state law. Personnel employed by Consultant shall not acquire any rights or status regarding the City.

10. Employment. The Consultant warrants that it did not employ or retain any company or person, other than a bona fide employee working solely for the Consultant, to solicit or secure this Agreement or pay or agree to pay any such company or person any consideration, contingent upon or resulting from the award or making of this Agreement. For breach or violation of this warranty, the City shall have the right either to terminate this Agreement without liability or to deduct from the Agreement price or consideration or to otherwise recover, the full amount of such consideration.

11. Audits and Inspections. The Consultant shall make available to the City during normal business hours and as the City deems necessary for audit and copying all of the Consultant’s records and documents with respect to all matters covered by this Agreement.

12. City of Snoqualmie Business License. Consultant shall obtain a City of Snoqualmie business license before performing any Work.

13. Compliance with Federal, State and Local Laws. Consultant shall comply with and obey all federal, state and local laws, regulations, and ordinances applicable to the operation of its business and to its performance of the Work.

14. Waiver. Any waiver by the Consultant or the City of the breach of any provision of this Agreement by the other party will not operate, or be construed, as a waiver of any subsequent breach by either party or prevent either party from thereafter enforcing any such provisions.

15. Complete Agreement. This Agreement contains the complete and integrated understanding and agreement between the parties and supersedes any understanding, agreement or negotiation whether oral or written not set forth herein.

16. Modification of Agreement. This Agreement may be modified by a Change Order as provided in Paragraph 1, or by a writing that is signed by authorized representatives of the City and the Consultant.

17. Severability. If any part of this Agreement is found to be in conflict with applicable laws, such part shall be inoperative, null and void, insofar as it is in conflict with said laws, the remainder of the Agreement shall remain in full force and effect.

18. Notices.

A. Notices to the City of Snoqualmie shall be sent to the following address:

City of Snoqualmie
Attn: Emily Arteche, Director of Community Development
38624 SE River Street
P.O. Box 987
Snoqualmie, WA 98065

B. Notices to the Consultant shall be sent to the following address:

Perteet Engineering
Attn: Rahmi Kutsal, PE
38579 SE River Street Suite 1/PO Box 908
Snoqualmie, Washington 98065
rahmi.kutsal@perteet.com

19. Venue. This Agreement shall be governed by the law of the State of Washington and venue for any lawsuit arising out of this Agreement shall be in King County.

IN WITNESS WHEREOF, the City and Consultant have executed this Agreement as of the date first above written.

CONSULTANT: Please fill in the spaces and sign in the box appropriate for your business entity.

CITY OF SNOQUALMIE,
WASHINGTON

By: _____
Its: Mayor
Date: _____

Corporation

[Consultant's Complete Legal Name]

By: _____
Typed/Printed Name: _____
Its: _____
Date: _____

ATTEST:

Deana Dean, City Clerk
Date:

APPROVED AS TO FORM:

Dena Burke, City Attorney
Date: _____



November 19, 2024
CITY OF SNOQUALMIE
AGREEMENT FOR CONSULTANT SERVICES
With Perteet, Inc.
For
City of Snoqualmie Design and Construction Standards





38579 SE River Street, Suite 1, Snoqualmie, WA 98065 | P 425.888.5825

Scope of Services
CITY OF SNOQUALMIE
Design Standards Update

INTRODUCTION

The City of Snoqualmie (City) desires to update Snoqualmie Ridge II Development Standards text and drawings with the input from field staff and City Departments and retitle as “City of Snoqualmie Design and Construction Standards” to be used citywide on all development and City Capital Improvement Projects.

SCOPE OF SERVICES

To assist the City; Perteet, Inc (Consultant), and its subconsultants ESM, and Marc Nielsen will be working under Perteet, Inc. to evaluate the current Snoqualmie Ridge II Development Standards along with the City Departments and prepare updated recommendations under this scope in coordination with City departments and potentially other consultants as designated by the City. This agreement includes project management, meetings, and correspondence.

Specific services will be provided by Consultant under the following tasks.

Task 0: PROJECT ADMINISTRATION

Task 1: INTRODUCTION – CHAPTER 1

Task 2: STREETS – CHAPTER 2

Task 3: STORM DRAINAGE – CHAPTER 3

Task 4: WATER – CHAPTER 4

Task 5: SANITARY SEWERS – CHAPTER 5

Task 6: EROSION AND SEDIMENTATION CONTROL – CHAPTER 6

Task 7: LIGHTING – CHAPTER 7

Task 8: LANDSCAPING AND IRRIGATION - CHAPTER 8 (Currently landscaping, irrigation to be added)
(This Task 8 also includes Institutional Landscape Standards.)

Task 9: BUFFERS - CHAPTER 9 (To be revised by City and revisions to be included by the Consultant)

Task 10: SIGNAGE – CHAPTER 10

Task 11: RESIDENTIAL PLATTING AND DEVELOPMENT – CHAPTER 11 (To be revised by City and revisions to be included by the Consultant)

Task 12: RETAIL – CHAPTER 12 (To be revised by City and revisions to be included by the Consultant)

GENERAL ASSUMPTIONS

- Recommended design standards text edits will be provided to the City under this scope.
- The level of effort for each task is limited to the amount of labor and expenses indicated in the attached budget. Additional effort beyond these limits will be considered Extra Work.
- Consultant may shift budget between work tasks and with prior approval by the City, provided there was not a scope change, and the overall project budget remains unchanged.

- Text documents and Standard Plans and Details will be submitted to the City electronically via email or file transfer as Microsoft Word and AutoCAD DWG files.
- CHAPTER 9, CHAPTER 11, AND CHAPTER 12 will be revised by the City Planning Department internally or by others and to be provided to the Consultant to be included in the Standards. Consultant will assist in the coordination and inclusion of those 3 Chapters and update text and data, but the work will be performed by the City.
- For the Consultant services under this scope, labor allowances and associated fees are estimated and limited for the purpose of this scope and specified deliverables. The level of effort required for this work is approximated in this scope and may depend on issues outside of the Consultant's control. Some of these issues may include quality and completeness of information provided and the extent of any unforeseen deficiencies. If additional information or deliverable revisions are required to assist City departments with unforeseen compliance gaps, the Consultant will advise the Client during the course of work if out of scope items are discovered.

Task 0: PROJECT ADMINISTRATION

Work Elements

- Provide project management of the Consultant team. Project staff management and coordination with outside subconsultants and services. Control of project budget and schedule.
- Maintain on-going contact with the City's in-house Project Manager via meetings, virtual meetings, telephone discussions, and electronic mail.
- Coordinate with other City consultants as required for design standards updates pertaining to standard details and drawings, project reporting, project reviews, and general project coordination.
- Advise the City's program team of potential conflicts and assist with conflict resolution if any arise.

Deliverables

- Provide monthly reports of project budget status and schedule submitted with invoices.

Task 1: INTRODUCTION – CHAPTER 1

Work Elements

- Consultant will work with City staff designated by City to evaluate existing chapter and revise the text for general use for all projects in the City.
- Prepare for and attend ONE (1) meeting with the City to discuss and review initial and interim work products for this task.

Deliverables

- Draft chapter write-up and final update; provide one draft iteration with text edits to the existing standards and one final reconciled document.

Task 2: STREETS – CHAPTER 2

Task 3: STORM DRAINAGE – CHAPTER 3

Task 4: WATER – CHAPTER 4

Task 5: SANITARY SEWERS – CHAPTER 5

Task 6: EROSION AND SEDIMENTATION CONTROL – CHAPTER 6

Task 7: LIGHTING – CHAPTER 7

Work Elements

- Consultant will work with City staff designated by City to evaluate existing chapters and revise the text and standard drawings for general use for all projects in the City based on consideration of City recommendations, currently available materials, construction methods recommended for this location, and consideration and potential incorporation of other common best practices and design standards such as WSDOT.
- Consultant will review and redline existing standard drawings and details associated with design standards and coordinate drawing drafting revisions with its subconsultant for drawing revisions.
- Prepare for and attend up to TWELVE (12) meetings with the City to discuss and review initial and interim work products for this task.

Deliverables

- Design standards draft and final update; provide one draft iterations with text edits to the existing standards and one final reconciled document.

**Task 8: LANDSCAPING AND IRRIGATION - CHAPTER 8, (Currently landscaping, irrigation to be added)
(This Task 8 also includes Institutional Landscape Standards.)****Work Elements**

- Consultant will work with City staff designated by City to evaluate existing design standards based on consideration of City recommendations, currently available materials, construction methods recommended for this location, and consideration and potential incorporation of other common best practices and design standards such as WSDOT.
- Consideration will be given to distinguish irrigation system requirements for areas of the City served by Class A reclaimed water with Maxicom control in contrast to areas of the City on potable water meters that are not on Maxicom Control.
- Consultant Landscape Architect will evaluate existing landscaping and irrigation design standards and work with City departments designated by Client to identify and evaluate and describe update recommendations by preparing an updated Chapter 8 with changes tracked. Sections and subsections to be evaluated include:
 - 8A Overall Project Landscaping
 - Landscape Character
 - Topsoil
 - Plant Species
 - Inspections
 - Performance and Maintenance
 - Irrigation
 - General Planting Practices
 - Landscape Plans
 - 8B Park and Open Space Landscaping
 - Landscape Plan
 - Site Preparation
 - Tree Planting

- 8C Street Trees
 - Plant Size
 - Location
 - Cul-de-sac Design for Street Trees
 - Planting Practices
 - Street Tree Varieties
- Chapter 8 Standard Drawings Review and Redline
 - Street Tree Rootway Soil Preparation / Drainage Detail
 - Street Tee Planting and Drainage Detail
 - Street Tree Planting – Tree Canteen Detail for Non-irrigated Trees
- Appendix 8-A Recommended Street Tree Varieties
- Appendix 8-B Irrigation Specifications
- Review design standards for consistency with Snoqualmie Municipal Code (SMC). Any SMC Inconsistencies will be noted and identified in the draft text draft document. Updates to the SMC or other City documents are not assumed under this scope.
- Work with City departments to review design standards text updates to consider gaps or deficiencies in the current standards. Review and redline standard drawings for other City consultant to update outside of this scope and fee. Up to three virtual meetings are assumed to review draft text and the final deliverable design standards update.
- Consultant will review and redline existing standard drawings and details associated with design standards and coordinate drawing drafting revisions with other subconsultant for drawing revisions not included in this scope or budget.
- Prepare for and attend TWO (2) meetings between with the City to discuss and review initial and interim work products for this task.

Deliverables

- Design standards draft and final update; provide two draft iterations with text edits to the existing standards and one final reconciled document.

Task 9: BUFFERS – CHAPTER 9 (To be revised by City and revisions to be included by the Consultant)

Work Elements

- City will perform all revisions to text and drawings and provide redlines to Consultant to be incorporated into the final document.
- Consultant will review redlines and coordinate drawing revisions with its subconsultant.
- Prepare for and attend ONE (1) meeting with the City to discuss and review initial and interim work products for this task.

Deliverables

- Design standards draft and final update; provide one draft iteration with text edits to the existing standards and one final reconciled document.

Task 10: SIGNAGE – CHAPTER 10**Work Elements**

- Consultant will work with City staff to evaluate existing chapters and revise the text and standard drawings for general use for all projects in the City based on consideration of City recommendations, currently available materials, construction methods recommended for location, and consideration and potential incorporation of common best practices and design standards such as WSDOT and AASHTO.
- Consultant will review and redline existing standard drawings and details associated with design standards and coordinate drawing drafting revisions with its subconsultant for drawing revisions.
- Prepare for and attend ONE (1) meeting with the City to discuss and review work product for this task.

Deliverables

- Design standards draft and final update; provide one draft iterations with text edits to the existing standards and one final reconciled document.

Task 11: RESIDENTIAL PLATTING AND DEVELOPMENT – CHAPTER 11 (To be revised by City and revisions to be included by the Consultant)

Task 12: RETAIL – CHAPTER 12 (To be revised by City and revisions to be included by the Consultant)

Work Elements

- City will perform all revisions to text and drawings and provide redlines to Consultant to be incorporated into the final document.
- Consultant will review redlines and coordinate drawing revisions with its subconsultant.
- Prepare for and attend TWO (2) meetings with the City to discuss and review initial and interim work products for this task.

Deliverables

- Design standards draft and final update; provide one draft iteration with text edits to the existing standards and one final reconciled document.

FINAL DELIVERABLES:

- One full set of Development Standards printed double-sided on letter size paper.
- One full set of Development Standards in PDF format.
- Final text of Development Standards in Word format delivered either electronically or on a digital medium.
- Final Standard Drawings of Development Standards in latest version of AutoCAD .dwg format delivered either electronically or on a digital medium.

TIME FOR COMPLETION AND PROJECT BUDGET

The City of Snoqualmie may require other services and expanded or extended scope items beyond what is detailed in this scope and contract. At the time these services are required, the Consultant will provide the City with a detailed scope of work and a fee estimate.

The scope of this contract is based upon the Consultant completing all task actions with direct, timely input from City staff. All tasks and deliverables are estimated to be started early 2025 and completed by December 31, 2025, or decided by the City during the course of the project based on City staff availability and City's ability to respond to revisions. The fee for this contract is derived using the 2025 Hourly Rates with addition of approximate average 5% rates increase to account for the 2026 Hourly Rates if the completion time is extended by City due to staff availability. Fee also includes 6.5% Management Reserve for unforeseen changes by City and can only be used if released specifically by City.

City of Snoqualmie Design and Construction Standards Update		Rahmi Kutsal	Evan Lamon	Jason Walker	Clark Kunitsugu	Rory Cameron	Abi Swanson	Labor Hours	Labor Dollars
Task	Hourly Rate	\$394.00	\$263.00	\$289.00	\$252.00	\$252.00	\$158.00	Total	Total
Task 0: Project Administration		8	-	-	-	-	8	16	\$4,416.00
Task 1: Introduction		8	-	-	-	-	-	8	\$3,152.00
Task 2: Streets		16	16	-	8	-	-	40	\$12,528.00
Task 3: Storm Drainage		16	16	-	8	-	-	40	\$12,528.00
Task 4: Water		16	16	-	8	-	-	40	\$12,528.00
Task 5: Sanitary Sewers		16	8	-	8	-	-	32	\$10,424.00
Task 6: Erosion and Sedimentation Control		6	4	-	4	-	-	14	\$4,424.00
Task 7: Lighting		4	2	-	2	8	-	16	\$4,622.00
Task 8: Landscaping and Irrigation		20	4	96	8	-	-	128	\$38,692.00
Task 9: Buffers		4	-	-	-	-	-	4	\$1,576.00
Task 10: Signage		6	4	-	-	4	-	14	\$4,424.00
Task 11: Residential Platting and Development		6	-	-	-	-	-	6	\$2,364.00
Task 12: Retail		6	-	-	-	-	-	6	\$2,364.00
Total Hours		132	70	96	46	12	8	364	
Total Dollars		\$52,008.00	\$18,410.00	\$27,744.00	\$11,592.00	\$3,024.00	\$1,264.00		\$114,042.00

Subconsultants	
ESM	\$16,170
Marc Nielsen	\$8,085
Totals:	\$24,255.00
Expenses:	
Mileage (\$0.67/mile)	\$1,693.76
Totals:	\$1,693.76

SUMMARY	
Labor	\$114,042.00
Subconsultants	\$24,255.00
Expenses	\$1,693.76
Potential Rate Esc. (Beyond 2025)	\$6,914.85
Management Reserve	\$9,548.86
CONTRACT TOTAL	\$156,454.47

Council Agenda Bill

AB Number

AB25-013

Agenda Bill Information

Title*

Meadowbrook Farm Operation and Maintenance
2025 Budget

Action*

Motion

Proposed Motion

Motion to Adopt the Governing Body's 2025 Meadowbrook Farm Operation and Maintenance Biennial Budget

Council Agenda Section

Committee Report

Council Meeting Date*

01/27/2025

Staff Member

Emily Arteche

Department*

Community Development

Committee

Finance and Administration

Committee Date

01/22/2025

Exhibits

Packet Attachments - if any

x1 Agreement for Operation and Maintenance of Meadowbrook Farm.pdf	901.96KB
x2 Governing Body 2025 Meadowbrook Operating Budget.pdf	67.64KB
Interpretive Center Sliding Door Windows Quote.pdf	516.51KB

Summary

Introduction*

This agenda item is to provide the City Council the Governing Body's recommended 2025 biennial budget for the Operation and Maintenance of Meadowbrook Farm.

Background / Overview*

Pursuant to the Interlocal Agreement Between the City of North Bend and the City of Snoqualmie regarding the Operation and Maintenance of Meadowbrook Farm: **Resolution 1685** the biennial budget shall be developed by Si View Parks and Recreation District and recommended by the Meadowbrook Farm Advisory Board to the Governing Body and later approved by each Member city. The Governing Body met with Si View Metropolitan Park District to review the draft budget on September 26,

2024. Additional information on the budget was requested and a final draft budget was recommended for approval on October 17, 2024. The proposed 2025 budget (attached) is higher than typical as the first facility expenses for the interpretive center since 2001 are being requested. Since that time the sliding door windows and the gate at entrance to Swing Rock have failed.

Analysis*

It is generally intended that each year each Member City be responsible for obtaining budgetary approval of the Member's jurisdiction for one-half (1/2) of net losses, currently estimated at \$25,000. The Agreement for Operation and Maintenance of Meadowbrook Farm allows Si View Metropolitan Park District to provide levels of service for the interpretive center facility building, interpretive center grounds, fields, trails and culverts/causeways. Expenses include utilities, salaries and wages, supplies, mowing, recreational management, cleaning, etc. This year facility expenditures are requested in addition to the net operating costs, including repairing sliding doors, windows, and the simple gate at the entrance to Swing Rock, with Snoqualmie's portion totaling \$33,442.

Budgetary Status*

This is an extra-budget expenditure.

Fiscal Impact

Amount of Expenditure	Amount Budgeted	Appropriation Requested
\$58,442.00	\$1,611,983.00	\$33,442.00

Budget Summary

The 2025-2026 Biennial Budget anticipated the Meadowbrook Farm operations and maintenance expenditures within the Non-Departmental portion of the General Fund (#001). The capital request of \$33,442 was not included within the budget. If Council decides to approve this funding request, Administration will bring forward a budget amendment later this year to appropriate for these capital expenditures. The amendment would result in a lower General Fund (#001) balance than that forecasted in the 2025-2026 Biennial Budget.

Fiscal Impact Screenshot

Non-Departmental (#001)

2025-2026 Biennial Budget	
Beginning Budget	\$ 1,611,983
Expenditures	\$ -
Outstanding Contract Value (Previously Approved)	\$ -
Current Available Budget	\$ 1,611,983
Value of this Expenditure (AB25-009)	\$ (58,442)
Available Budget after AB25-009	\$ 1,553,541

AGREEMENT FOR OPERATIONS AND MAINTENANCE OF MEADOWBROOK FARM

This Agreement for Operations and Maintenance of Meadowbrook Farm Agreement (“Agreement”) is entered into by and between the City of North Bend (“North Bend”), a Washington municipal corporation, the City of Snoqualmie (“Snoqualmie”), a Washington municipal corporation, collectively as the “Contracting Agencies,” and the Si View Metropolitan Park District (“District”), a municipal corporation. The parties to this Agreement are hereinafter referred to collectively as the “Parties.”

WHEREAS, the Contracting Agencies intend to become parties to a future Interlocal Agreement (“ILA”) for the funding, management, and preservation of Meadowbrook Farm; and

WHEREAS, the Contracting Agencies wish to enter into this Agreement with the District for the District’s day-to-day operation and maintenance of Meadowbrook Farm including but not limited to maintenance of buildings and grounds; coordination of schedules for classes, camps, and events; operation and coordination of event rentals; coordination of grant writing; implementation of and coordination of updates to the Meadowbrook Farm Master Plan; and construction of improvements consistent with the Meadowbrook Farm Master Plan;

NOW, THEREFORE, in consideration of the mutual benefits and conditions set forth below, the Parties hereto agree as follows:

1. PURPOSE AND SCOPE

The purpose of this Agreement is to formalize the terms and conditions under which the District shall provide day-to-day operations and maintenance of Meadowbrook Farm (hereafter “Farm”) including but not limited to the services listed in Section 4 of this Agreement.

2. PROPERTY SUBJECT TO THIS AGREEMENT

The Contracting Agencies are fee simple owners of the Farm as tenants-in-common. The Farm’s legal description is attached hereto as Exhibit A and incorporated by this reference as if fully set forth herein. A depiction of the Farm boundaries is also set forth in Exhibit A.

3. DURATION AND MODIFICATION

3.1 Duration. This Agreement shall be effective on the later of August 1, 2023, or the date of the latest signature below and shall continue in effect until 11:59 p.m. on December 31, 2028. Thereafter, this Agreement shall automatically renew for an additional one-year term (“Renewal Term”). Any Party may elect to terminate this Agreement on sixty (60) days’ written notice of termination to the other Parties, given in accordance with Sections 12 and 16. Additionally, the Parties may jointly agree to terminate this Agreement at any time.

- 3.2 Modification. This Agreement is intended to express the entire Agreement of the Parties and may not be altered or modified in any way unless such modification is reduced to writing and agreed upon and signed by each Party.

4. DISTRICT RESPONSIBILITIES

The District shall be responsible for the day-to-day maintenance, operation, and management of the Farm which shall include the following activities:

- 4.1 Managing the day-to-day operations of the Farm, including maintenance of buildings, grounds, fields, trails, and maintenance equipment consistent with the Level(s) of Service as set forth in Exhibit B.
- 4.2 Coordinating schedules for classes, camps, and events, with scheduling priority given for educational and public-benefit activities and events over private events.
- 4.3 Coordinating operation of event rentals, including field rentals and Interpretive Center rentals, in accordance with the rental policies and procedures set forth in Exhibit C.
- 4.4 Tracking revenue generated from rentals and fees and reporting same to the Contracting Agencies on a regular basis but no less frequently than quarterly. Quarterly reports shall additionally include the following information: (a) profit and loss statements reflecting actual revenues and expenses and comparisons against budget; (b) the number of events for which the facilities were rented out during the previous quarter and the types of users who rented the facilities; and (c) a summary of any incidents that the District knows or has reason to believe might lead to a claim against one or both of the Contracting Agencies for personal injury or property damage.
- 4.5 Invoicing the Contracting Agencies no less frequently than quarterly for net losses (defined as expenses that exceed the revenue generated pursuant to Section 4.4 herein), but that do not exceed the biennial budget for operations and maintenance established by each Contracting Agency. Each Contracting Agency shall be financially responsible for one-half (1/2) of the net loss upon receipt of the periodic invoice.
- 4.5.1 The invoicing process described herein will begin upon approval of a 2024 budget.
- 4.6 Preparing an annual budget report and request to the Contracting Agencies' Governing Bodies, which shall identify accomplishments, challenges, and expenditures for the year and present a projected budget for the following year as necessary to maintain Level(s) of Service as set forth in Exhibit B and for any additional proposed capital projects. Projected expenditure and budgets shall

include all operating expenses for the Farm, including utilities and appropriate levels of first-party property insurance and third-party liability insurance.

- 4.7 Preparing grant applications and coordinating any capital projects approved by the Contracting Agencies' Governing Bodies consistent with the approved Meadowbrook Farm Master Plan, as amended from time to time, and Capital Improvement Plan.
- 4.8 Engaging in communications and marketing activities concerning the Farm.
- 4.9 Coordinating with the Meadowbrook Farm Preservation Association (the "Association") with regard to docent/interpretive/educational services and other related activities provided by the Association.
- 4.10 Managing updates to the Meadowbrook Farm Master Plan for presentation to and approval by the Contracting Agencies' Governing Bodies.
- 4.11 The Contracting Agencies reserve the right to periodically inspect the work and ensure performance of required duties by the District under this Agreement.

5. CONTRACTING AGENCIES' RESPONSIBILITIES

The Contracting Agencies shall be responsible for the following activities:

- 5.1 Budget Adoption. Each of the Contracting Agencies shall biennially review and approve the Meadowbrook Farm budget with respect to the management and maintenance of the Farm, pursuant to Section 4.6. Each Contracting Agency shall be responsible for obtaining annual budgetary approval from its Governing Body for one-half (1/2) of the total annual budgeted net losses.
 - 5.1.1 The Budget Adoption process described herein will begin in 2024.
- 5.2 Payment of District Invoices. The Contracting Agencies shall timely pay invoices submitted by the District pursuant to Section 4.5, Neither Contracting Agency shall be responsible for payment of invoices that exceed the amount set forth in each Contracting Agency's respective biennial budget.
- 5.3 Financial Participation in Capital Projects. The Contracting Agencies shall consider proposals from the District related to the completion of Capital Projects pursuant to Section 4.7 and shall provide capital project funding, if at all, on a case-by-case basis. If the District and the Contracting Agencies wish to participate in the joint funding and administration of capital projects, such joint funding shall be documented through a separate contract or agreement and shall not require the amendment of the Agreement herein.

6. INDEMNIFICATION

The Parties shall indemnify one another as follows:

- 6.1 Each Party to this Agreement agrees to protect, defend, and indemnify the other Parties, their officers, officials, employees, and agents from any and all costs, claims, claims for delay, judgments and/or awards of damages arising out of or in any way resulting from any other Party's default, failure of performance, or negligent conduct associated with this Agreement, by the Party, its employees, officials, subcontractors, volunteers or agents.
- 6.2 Each Party agrees that its obligations under this Section 6 extend to any claim, demand, and/or cause of action brought by or on behalf of any of its employees or agents. The foregoing indemnity is specifically and expressly intended to constitute a waiver of each Party's immunity under Washington's Industrial Insurance Act, RCW Title 51, but only as respects the other Parties, and only to the extent necessary to provide each Party with a full and complete indemnity of claims made by the other Parties' employees. The Parties acknowledge that these provisions were specifically negotiated and agreed upon by them.
- 6.3 In the event any Party incurs any costs, including attorney fees or expert witness fees, to enforce this Agreement, and substantially prevails in such enforcement action, all such costs and fees shall be recoverable from the losing Party/Parties.
- 6.4 The provisions of this Section shall survive the expiration or earlier termination of the Agreement with regard to any event that occurred prior to or on the date of such expiration or earlier termination.

7. FINANCING

There shall be no financing of any joint or cooperative undertaking pursuant to this Agreement. There shall be no budget maintained for any joint or cooperative undertaking pursuant to this Agreement.

8. PROPERTY

This Agreement does not provide for the acquisition, holding, or disposal of any real or personal property, and does not affect the terms or conditions of the Cities of North Bend and Snoqualmie's ownership of the Farm.

9. NO SEPARATE LEGAL ENTITY

This Agreement establishes a contractual agreement of the Parties for the Contracting Agencies to pay the District, a third party, to maintain the Contracting Agencies' jointly owned property and does not create a separate legal entity or administrative entity.

10. DISPUTE RESOLUTION

It is the Parties’ intent to resolve any disputes relating to the interpretation or application of this Agreement informally through discussions at staff level. If a dispute arises from or relates to this Agreement or the breach thereof, and if the dispute cannot be resolved through direct discussions, the Parties agree to engage in mediation before a mutually agreeable mediator, pursuant to chapter 7.07 RCW. All fees and expenses for mediation shall be borne by the Parties equally. However, each Party shall bear the expense of its own counsel, experts, witnesses, and preparation and presentation of evidence. In the event mediation is not successful, the Parties agree to the exclusive jurisdiction of the Superior Court of King County, Washington for any lawsuit filed under this Section, and to enforce any judgment entered as a result of any such lawsuit.

11. INDEPENDENT CONTRACTOR

The District is an independent contractor with respect to the services provided under this Agreement. The District will be solely responsible for the acts and omissions of its employees, officials, contractors, agents, and volunteers. Nothing in this Agreement shall make any employee of the District the employee of any other Party or Parties for any purpose, including, but not limited to, for withholding of taxes, payment of benefits, worker’s compensation pursuant to Title 51 RCW, or any other rights or privileges accorded by virtue of their employment. At all times pertinent hereto, employees of the District are acting as District employees, employees the City of Snoqualmie are acting as City of Snoqualmie employees, and employees of the City of North Bend are acting as City of North Bend employees.

12. NOTICES

Any notice or other communication given hereunder shall be deemed sufficient, if in writing and addressed as follows, or to such other address as may be designated by the addressee by written notice to the other Parties:

- City of North Bend:** Rob McFarland, Mayor
920 SE Cedar Falls Way
North Bend, WA 98045
- City of Snoqualmie:** Katherine Ross, Mayor
38624 SE River St., PO Box 987
Snoqualmie, WA 98065
- Si View Metropolitan Park District:** Susan Kelly, President of the Commission
PO Box 346
North Bend, WA 98045

13. PARTIAL INVALIDITY

Whenever possible, each provision of this Agreement shall be interpreted in such a manner as to be effective and valid under applicable law. Any provision of this Agreement, which is found to be invalid, void, or illegal shall in no way affect, impair, or invalidate any other provisions hereof, and such other provisions shall remain in full force and effect.

14. ASSIGNABILITY

The rights, duties, and obligations of any Party to this Agreement shall not be assignable.

15. ENTIRE AGREEMENT

This Agreement contains the entire understanding between the Parties and supersedes any prior understandings and agreements between them regarding the subject matter hereof. There are no other representations, agreements, or understandings, oral or written, between the Parties hereto relating to the subject matter of this Agreement. No amendment of, or supplement to, this Agreement shall be valid or effective unless made in writing and executed by the Parties hereto.

16. TERMINATION OF AGREEMENT

A party to this Agreement may terminate its participation in this Agreement upon written notice to the other Parties, so long as such notice is provided in accordance with Sections 4.1 and 13, above. In the event of termination for the District's nonperformance of its obligations under this Agreement, all right, title, and interest in Farm assets and revenues from Farm operations will revert to the Contracting Agencies as of the termination date. The terminating party shall remain fully responsible for meeting all of its funding and other obligations through the end of the calendar year in which such notice is given, together with any other costs that may have been incurred on behalf of such terminating party up to the effective date of such termination.

17. INSURANCE

Each Party shall be responsible for maintaining its own insurance. The indemnification obligations of Section 7, above, shall not be limited by the availability of any insurance or coverage limits.

18. GENERAL PROVISIONS

Failure of a Party to declare any breach or default immediately upon the occurrence thereof, or delay in taking any action in connection with, shall not waive such breach or default. Time is of the essence of this Agreement and each and all of its provisions in which performance is a factor.

ACCEPTED AND AGREED TO BY:

SI VIEW METROPOLITAN PARK DISTRICT: CITY OF NORTH BEND

By: _____
Susan Kelly, President of Commission
Si View Metropolitan Park District

Date: _____

By: _____
Rob McFarland, Mayor
City of North Bend

Date: _____

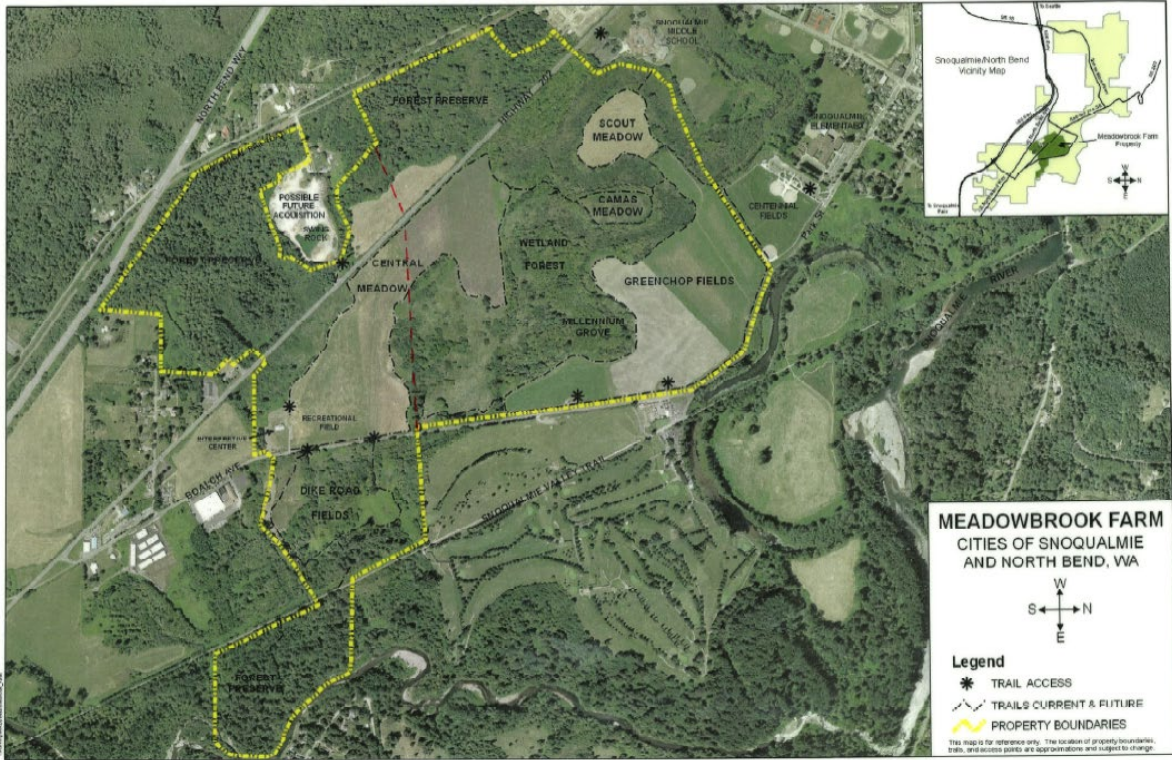
CITY OF SNOQUALMIE

By: _____
Katherine Ross, Mayor
City of Snoqualmie

Date: _____

Exhibit A

Property Description and Depiction of Meadowbrook Farm



Parcels within the boundary of Meadowbrook Farm include the following (as of 8/22/2023):

Meadowbrook Farm Parcels within the Snoqualmie City Limits:

3224089104, 3224089105, 3224089107, 3224089108, 3224089109, 3224089110, 0523089050, 0523089051, 0523089052, 0523089053, 0523089054.

Meadowbrook Farm Parcels within the North Bend City Limits:

0523089004, 0523089055, 0523089056, 0423089004, 0423089010, 0423089024, 0423089030, 0423089032, 0423089035, 5418700095, 5418700120, 5418700125, 5418700130, 5418700135.

Exhibit B

Level of Service Requirements for District's Management and Operation of Farm

The District's operation and maintenance of the Farm shall meet the following minimum levels of service:

1. Interpretive Center Facility Building:

- A. Provide regular janitorial service to the entirety of the Interpretive Center at intervals necessary to keep the building clean.
- B. Complete regular repairs/maintenance as needed including periodic repainting of walls, refinishing of woodwork, and other repairs and maintenance of interior and exterior of Interpretive Center.
- C. Inspect Interpretive Center building and grounds prior to and after events to log any damage attributable to an event and follow-up with event sponsors to ensure damage is reimbursed by event sponsors.
- D. Complete major maintenance and repairs as necessary to ensure proper operation of building components including roof, siding, HVAC, plumbing, and other components as requested and funded by the City of North Bend and the City of Snoqualmie.

2. Interpretive Center Grounds:

- A. Regularly mow Interpretive Center lawn as necessary to keep lawn attractive and functional for events: for purposes of this subsection, the lawn shall be mowed weekly from April through July and from October through November. From November through April the lawn shall be mowed as needed to keep the lawn attractive and functional.
- B. Regularly weed and prune the landscaped beds around the Interpretive Center.

3. Fields:

- A. Mow East Meadow twice per month between April and July and from October through November, and additionally as necessary based on site/building rental needs. The spring dates are flexible based on newborn elk and nesting birds, often found in May and June.
- B. Mow Central Meadow, Scout Meadow, Camas Meadow, Greenchop Field, and potato field three times per year or as necessary to keep invasive bushes and trees (blackberries/alder/etc.) at bay. Perform additional specific mowing as needed for rentals and events, or as arranged for specific fields by Snoqualmie Tribe for habitat/prairie maintenance.
- C. Blade fields used for events a minimum of twice each spring to smooth fields and remove mole hills that have developed.
- D. Provide periodic cleanup of fallen trees, branches, and debris as necessary to keep fields clear for maintenance and use.

4. Trails:
 - A. Mow all trail edges every 3 weeks during the growing season.
 - B. Remove weeds from trail surface maintenance annually.
 - C. Regularly clear fallen trees, branches and debris from trail surface and remove adjacent tree hazards as necessary.

5. Culverts/causeways:
 - A. Perform periodic culvert clearing/repair as necessary to maintain drainage.
 - B. Perform periodic repair/resurfacing of causeways to maintain access to fields.

The Contracting Agencies reserve the right to periodically inspect the work performed by the District under this Agreement.

2023 Estimated Meadowbrook Farm Operating Budget

Item 4.

Revenue

Rentals – Interpretive Center/Field Rentals \$110,000.00 (based off 2022)

Total Revenue \$110,000.00

Review Meadowbrook Operational Costs

Building:

- Heat, light, water, alarm \$4,620.00
- Lawn area \$5,550.00
- Driveway, parking area \$5,000.00
- Building maintenance \$9,894.00
- Janitorial/supplies \$1,304.30
- Landscaping \$9,894.00
- Other/Misc \$9,894.00

(building maint, landscaping, other based off 10 hrs/wk for 52 wks divided equally. Si View employee.)

Total \$46,106.30

Field Mowing/Maintenance (using 2020 hours)

	<u>Hours</u>	<u>\$27 Hourly Rate</u>
• Rec field	253	\$6,831.00
• Potato field	251	\$6,777.00
• Driving range	49	\$1,323.00
• Centennial	96	\$2,592.00
• Central meadow	239	\$6,453.00
• Dike road	87	\$2,349.00
• Swing rock	50	\$1,350.00
• Camas meadow	10	\$ 270.00
• Scout field	6	\$ 162.00

Totals 1041 \$28,107.00

- Equipment maintenance/repair \$5,542.00
- Operator insurance
- Fuel \$3,675.00

Total \$9,217.00

Trail Maintenance

- Includes trailside mowing \$3,520.00
- Trail spraying/weed control \$ 909.00
- Herbicide \$ 385.00

Total \$4,814.00

Rentals

- Full time staff \$29,337.00
- Part time staff \$13,500.00
- Sound Cleaning \$25,000.00

Total \$67,837.00

Total Expenditures \$156,081.30

Net Total (\$46,081.30)

Exhibit C

**RENTAL POLICIES FOR
MEADOWBROOK FARM INTERPRETIVE CENTER FACILITY**

1. FACILITY DEFINED

The Meadowbrook Farm Interpretive Center Building and the Interpretive Center grounds are herein referred to as “the Facilities.”

2. RIGHT OF REFUSAL

The District reserves the right to limit or deny rental of the Facilities due to staff availability, incompatibility of the rental request with the Facilities, incompatibility of the rental request with the District’s mission, or for other similar reasons.

3. FACILITY USAGE PRIORITY

A. The District’s programs and activities take precedence over all other requests to use the Facilities except for the Contracting Agencies’ activities. Should the District and Contracting Agencies’ use of the Facilities conflict, the Parties shall meet and resolve the conflict.

B. The Contracting Agencies’ sponsored public meetings, public events, public activities, and any organizations that have a contractual relationship with the Contracting Agencies shall take precedence over all other events.

4. FACILITY RESERVATIONS

A. The District will serve as the Rental Administrator for the Facilities.

B. Rentals at the Facility are subject to availability and may be reserved during the following times:

Monday – Thursday	7:00 a.m. – 10:00 p.m.
Friday	7:00 a.m. – midnight
Saturday	8:00 a.m. – midnight
Sunday	8:00 a.m. – 10:00 p.m.

C. Reservations may be made for the next calendar year. Non-profit groups that qualify for non-profit rental fees may reserve space up to three (3) months in advance, unless otherwise approved by the District.

D. Rental requests must be made at least seven (7) days in advance for events scheduled during regular business hours, Monday – Friday, 9:00 a.m. – 5:00 p.m. Reservations must be made at least thirty (30) days in advance for events scheduled during non-

business hours. Reservation requests received with less notice than previously specified may not be accommodated.

- E. Rental applications are accepted Monday through Friday, from 9:00 a.m. to 5:00 p.m. at the location specified by the designated agent. Rental reservations are accepted on a first come, first served basis, subject to the restrictions outlined herein. Reservations are confirmed and the rental date and time secured when the rental fees have been paid in full.
- F. Weekday rentals require a three-hour minimum rental. Weekend rentals require a five-hour minimum rental. Additional rental time may be added in ½ hour increments.
- G. Long-term and ongoing rentals require approval by the District. In most cases requests for an ongoing rental will be approved for no more than six (6) months at a time.
- H. All reservation requests are subject to review and approval by the District.

5. FACILITY RENTAL FEES

Facility rental fees are established by the District. Facility rental fees are generally reviewed on an annual basis and adjusted using a comparative rental fee study. Facility rental fees are subject to change without notice. A copy of the 2023 fee schedule is attached as Exhibit D and available from the District for subsequent years.

6. DAMAGE DEPOSITS

- A. Facility rental damage deposits are established by the District. Facility rental damage deposit fees are generally reviewed on an annual basis and adjusted using a comparative fee study. Damage Deposit fees are subject to change without notice.
- B. All private rental groups using the Facility will be charged a damage deposit, except as authorized in writing by the District.
- C. The damage deposit is due in full two (2) weeks prior to the date of the event for which the Facility is rented.
- D. Damage deposits are fully refundable provided the following conditions are met:
 1. The rented Facility is left in a clean and orderly manner.
 2. The Facility was not damaged as a result of the rental.
 3. Use of the Facility did not exceed the scheduled reservation time.
 4. All Facility equipment is accounted for and not damaged or broken.
 5. Additional staff time was not required as part of the rental.
 6. All rules/guidelines governing rental use of the Meadowbrook Farm facilities were met.

E. If all conditions are met to the satisfaction of the District, a refund will be processed within four (4) weeks of the event date. If the conditions are not met to the satisfaction of the District, an appropriate fee, as determined in the reasonable discretion of the District, will be deducted from the damage deposit. If necessary, rental groups will be charged to cover any additional costs.

7. RENTAL CANCELLATIONS

A. Rental cancellations will result in a non-refundable cancellation fee of twenty-five dollars (\$25) per reserved room or fifty percent (50%) of the rental fees, whichever is less, when more than two (2) months’ notice is given. Groups that have reserved facilities on multiple dates may be charged a cancellation fee of up to twenty-five dollars (\$25) for each date and room reserved.

B. Cancellations made between two (2) weeks and two (2) months before the date of the event will result in a non-refundable cancellation fee of fifty percent (50%) of the rental fees or twenty-five dollars (\$25), whichever is greater.

C. Cancellations made with less than two (2) weeks’ notice will not be refunded.

8. RENTAL DATE AND TIME CHANGES

All Facility rental date and time change requests are subject to staff and room availability. Additional rental time must be paid for at the time the request is made. Refunds will not be issued for a reduction in rental hours if the request is received with less than two (2) months’ notice.

9. ALCOHOL SERVICE AND CONSUMPTION

A. If private rental groups would like to distribute, serve, or consume alcohol during their rental event, they must complete an Alcohol Beverage Request Form (ABRF). Completing an ABRF does not guarantee that a rental group will be allowed to serve alcohol during their event. The ABRF is reviewed by the District, or its designated agent and a decision rendered within two (2) weeks of receiving the ASRF.

B. Alcohol may be served in the Interpretative Center only, except where special permission is granted by the District. Alcohol may be served during the following times:

Monday – Friday	Consult Designated Agent
Saturday	10:00 a.m. – 11:00 p.m.
Sunday	10:00 a.m. – 9:00 p.m.

C. Extra charges will apply if the rental administrator determines additional staff are needed during the event based on the presence of alcohol, estimated attendance, time

of the reservation, or any other factors affecting the safe use of the Facility. The renter is responsible for all additional staffing costs.

- D. If alcohol service is approved, the following rules and regulations shall apply:
1. Rental groups must obtain a Washington State Banquet Permit. A copy of the permit shall be submitted to the designated agent a minimum of five (5) business days prior to the event. The original permit must be displayed in the room during the rental event.
 2. Alcohol is permitted in the Interpretive Center and the adjacent grass area only. Alcohol is prohibited in all other areas of the Facility including the grounds and the parking lot, except by permission of the District. "No alcohol beyond this point" signs shall be posted at the perimeter of any event where alcohol is served.
 3. Rental groups are responsible for the conduct and behavior of their participants and any problems related to the presence of alcohol. Rental groups must attest in their rental agreements that no alcohol will be served to minors.
 4. Alcohol service may include beer, wine, and champagne only. Liquor and other alcoholic beverages are not permitted.
 5. Kegs are prohibited.
 6. Alcohol may only be served during the times approved on the ABRF.
 7. The rental group is required to pay \$250 facility rental cleaning fee.
 8. Additional liability insurance may be required if, in the discretion of the District, the coverage or limits are deemed insufficient.
- E. Rental groups serving alcohol during their event without approval from the District may forfeit their entire damage deposit and face additional charges.

10. RENTAL USAGE GUIDELINES

- A. Maximum room capacities are designated by the District in cooperation with Eastside Fire and Rescue and must be adhered to. Rentals that exceed approved capacities may be cancelled immediately and the entire damage deposit withheld.
- B. The Facility will be unlocked at the time the rental is scheduled to start by a Rental Administrator staff member.
- C. Room set-up is the responsibility of the renter. Set-up time must be included in the rental reservation. Rental groups will not be allowed early access to the Facility.
- D. The District provides a limited amount of equipment for use during rental events. Rental groups should consult with Rental Administrator staff prior to booking their event for a list of available rental equipment. Rental groups may elect to bring in additional equipment for the event. Rental equipment is subject to approval by the Rental Administrator.

- E. Delivery of items for a rental event must occur during the scheduled rental time. Rental Administrator staff will not sign for delivery items and early deliveries will not be accepted.
- F. Only freestanding decorations are permitted. Items may not be affixed to the ceiling, doors, columns, walls, light fixtures, or windows. Damage resulting from the use of tape or other adhesives will result in the loss of all or a portion of the damage deposit.
- G. The use of flammable materials is regulated by Eastside Fire and Rescue. The only types of candles allowed at the Interpretive Center are floating candles. The wick of the candle must be at least 4-6 inches below the opening and trimmed to a height of 1/2" or less. Candles must be floating in water.
- H. Outdoor fires are permitted only in the Contracting Agencies'-owned fire pit, which may be rented for an additional fee. Fires are allowed in the gravel area behind the Interpretive Center or on grass in designated areas only. Fires must be reachable by a hose. Use of the fire pit requires a recreational burn permit from Eastside Fire and Rescue. Obtaining the appropriate permit is the responsibility of renter. Use of fire pits may be prohibited during the burn ban.
- I. Rice, birdseed, confetti, glitter, and dance wax are prohibited in the Interpretive Center.
- J. Fog and smoke machines are prohibited in the Interpretive Center. The use of these machines may activate the fire alarm resulting in immediate evacuation and possible cancellation of the rental event.
- K. The use of barbecues is restricted to the grass area only. Residential, kettle-style or propane-style barbecues are allowed. Commercial-style or large pit barbecues are not allowed, except by permission of District. It is the responsibility of the rental group to dispose of ashes and briquettes at a location other than the Facility.
- L. Fireworks are not permitted at Meadowbrook Farm.
- M. At the conclusion of the rental, all personal items must be removed from the Facility. Rental groups are not allowed to store any items.
- N. The rental group is required to pay a mandatory cleaning fee to the District when the expected guest count exceeds 50 or more persons or the rental includes consumption of alcohol, per the fee schedule outlined in Exhibit D.
- O. The rental group is responsible for cleaning the Facility. The following items must be addressed to avoid additional charges:
 - 1. All Facility equipment shall be cleaned and returned to the proper storage location.
 - 2. All decorations and personal items shall be removed from the Facility.

3. All garbage cans shall be emptied and re-lined. Garbage shall be deposited in the outdoor garbage receptacle.
 4. All floors shall be swept and mopped if necessary.
- P. The Rental Administrator staff will provide cleaning equipment and supplies. The staff person will conduct a post-event inspection at the conclusion of the event.
- Q. Any cleaning and/or repairs that require staff time and materials will be deducted from the damage deposit and/or charged to the rental group. If a rental group exceeds the time reserved, they will be charged additional time and/or it may be deducted from the damage deposit.
- R. Failure to follow the rental guidelines may result in forfeiture of the damage deposit, additional charges, and/or denial of future rental usage.

11. INSURANCE FOR PRIVATE RENTAL EVENTS


- A. The following events and/or groups may be required to carry insurance naming the Contracting Agencies as additional insureds:
1. Corporate hosted functions of any size.
 2. Rental events in excess of 200 participants.
 3. Rental events that include the grounds as part of the event.
 4. Any rental event where alcohol is to be sold.
 5. Other conditions that may increase liability risk for the Contracting Agencies.
- B. The District will evaluate all Facility rental requests and determine whether or not additional liability insurance is required.
- C. If liability insurance is required, the rental group shall provide a certificate of insurance naming the Contracting Agencies as additional insureds. The certificate must state that the policy may not be cancelled without thirty (30) days written notice provided to the Rental Administrator. The insurance certificate must be on file fourteen (14) days prior to the rental event. The certificate should provide combined single limit coverage of at least \$1,000,000.00 for each occurrence with a 10-day cancellation clause.

12. NON-PROFIT RENTAL USAGE OF FACILITIES

- A. Non-profit rental fees are established by the District. Non-profit rental fees are generally reviewed on an annual basis and adjusted using a comparative rental fee study. Non-profit rental fees are subject to change without notice.
- B. The Facility is available for discounted use by non-profit organizations located within the boundaries of the Snoqualmie Valley School District. Facilities are available for discounted use by non-profit organizations for events that directly pertain to the business of the organization. Personal and social occasions will not be recognized as

- a non-profit event. Examples of personal and social occasions include birthday celebrations, holiday parties, anniversary parties, and retirement events.
- C. To qualify for the non-profit rate, the organization must submit an application for Reduction of Rental Fees. The Application for Reduction of Rental Fees is valid for the calendar year only and must be renewed on an annual basis. The requesting organization must provide proof of non-profit status as defined by the Internal Revenue Service 501(c)3 guidelines at the time of application. If approved, the requesting organization will be eligible for non-profit rental rates at the Facility for the calendar year.
 - D. Non-profit Facility rentals may be scheduled up to three (3) months in advance, unless otherwise approved by the Rental Administrator.
 - E. The non-profit group is responsible for room set-up, breakdown, and clean-up in its entirety. The person that reserved the Facility must be on-site during the entire reservation including set-up and clean-up time.
 - F. Non-profit organizations agree to abide by all other rental policies and procedures.

Exhibit D



MEADOWBROOK FARM FEES 2023

Meadowbrook Farm

1711 Boalch Ave NE, North Bend WA 98045

The Meadowbrook Farm Interpretive Center is the perfect location for weddings, family reunions, business retreats and social events. Your guests will enjoy the spectacular view of Mt. Si and the serenity of the Snoqualmie Valley. The center boasts a natural log interior with large barn-style sliding doors providing the option for open air events. The Interpretive Center accommodates 75 or more guests depending on your arrangement. Please call for a personal tour of the Interpretive Center. Building capacity is 125. Wifi is not available.



RENTAL FEES	Oct-June	July-Sept
Oct-June (3 hour minimum rental)		
July-Sept (5 hour minimum rental)		
Building Weekday Rentals - HOURLY RATES		
Monday-Friday (7am-5pm)	\$86	\$86
Monday-Thursday (5pm-10pm)	\$109	\$109
Friday (5pm-12am)	\$152	\$166
Building Weekend Rentals - PACKAGE RATES		
Saturday/Sunday (10 hour rental)	\$1599	\$1769
Saturday/Sunday (5 hour rental)	\$855	\$940
Additional Hourly Rate	\$176	\$198
Field Rentals		
Rec Field OR Dike Road Field w/o Building	\$490	\$490
Rec Field w/ Building (parking)	\$330	\$330
Dike Road Field w/ Building	\$330	\$330
Additional Fees		
Alcohol Fee—Groups 99 or less	\$50	
Alcohol Fee—Groups 100 or more	\$100	
Additional Staffing Fee (groups over 125)	\$24/hr	
Commercial Rentals		Negotiable

DAMAGE DEPOSIT	
Groups 1-25 guests	\$50
Groups 26-50 guests	\$100
Groups 51-75 guests	\$150
Groups 76-100 guests	\$200
Groups 101+ guests	\$250
Alcohol service (additional)	\$250

OPTIONAL ITEMS	
Rental Set Up - indoors only	\$175
Rental Clean Up* - indoors only	\$250
Fire Pit (Additional Permit Required)	\$35
Arbor Rental	\$50
AV Use (limited capabilities)	\$50
*required with alcohol or if group size is 30 or more	

Non-profit rates available for 501c3 organizations. Please inquire.

Updated: 5/18/2023

Si View Metro Parks / www.siviewpark.org / 425-831-1900

3



Extra Services

Set-up Package (and what if I don't purchase?)

Table and chair set up by Si View staff is available for \$175. If purchased, tables and chairs will be set up according to the customer's layout prior to the rental start time. Renters can expect to enter the space at the start time with these items in place. Set-up package is only available for indoors.

If the set-up package is not purchased, renters can expect to enter a clean, empty space and begin setting up tables and chairs at the rental start time. Also, if the set-up package is not purchased, renters are not allowed into the building prior to the rental start time to begin this task.

The set-up package must be added to your rental a minimum of one month before the event, and is available only if the room is available prior to your scheduled start time. The set-up package includes set-up of MEAD-OWBROOK owned tables/chairs only. No decorating or set-up of rented tables/chairs is included. Exterior set up is the responsibility of the renter. The set up package also does not include the moving of and tables/chairs throughout the rental.

Clean-up Package (and what if I don't purchase?)

The indoor clean-up package can be purchased for \$250. Purchase is required for groups of 50 or more, or if alcohol is consumed (regardless of guest count). If purchased, renters are required to clear the building of all belongings, decorations, and guests by the end rental time. Si View staff will then handle clean up responsibilities—clearing of trash and replacing with empty bag; sweeping, and possibly mopping, floor; wiping down tables, chairs, counter tops, and equipment used; placing tables, chairs, and equipment back in storage closet.

If the clean-up package is not purchased, renters are required to clear the building of all belongings, decorations, guests, and handle clean up responsibilities (clearing of trash and replacing with empty bag; sweeping, and possibly mopping, floor; wiping down tables, chairs, counter tops, and equipment used; placing tables, chairs, and equipment back in storage closet) by the end rental time.

The clean-up package must be added on at least one month prior to the event if not included in the original agreement. For a rental to be eligible for the cleanup package their event must end no later than 11pm. Please note the cleanup package includes clean up INSIDE the interpretive center. All equipment set up outside must be returned inside and any garbage cleaned up by the renter.

Governing Body's 2025 Proposed Meadowbrook Operating Budget

Revenues	Total	Comments
Meadowbrook Rentals - Interpretive Center	\$129,018.00	88 Rentals plus add ons.
Meadowbrook Rentals - Fields	\$13,870.00	38 Field only rentals.
Total Revenues	\$142,888.00	

Expenses	Total	Comments
Communications - Internet - Meadowbrook	\$720.00	Based on 2024 trends.
Public Utility Services - Electric - Meadowbrook	\$1,500.00	Based on 2024 trends.
Public Utility Services - Natural Gas - Meadowbrook	\$840.00	Based on 2024 trends.
Public Utility Services - Water/Sewer/Storm/Flood - Meadowbrook	\$1,440.00	Based on 2024 trends.
Security Monitoring - Meadowbrook	\$925.00	Security and fire alarm monitoring.
Credit Card Fees	\$3,148.00	Fees on credit card payments.
Salaries & Wages - Recreation Administration - Meadowbrook	\$51,734.00	Rental administration - Travis J.
Salaries & Wages - Seasonal - Meadowbrook	\$12,084.00	Wages - PT onsite rental staff.
Benefits - Seasonal - Meadowbrook	\$2,664.00	Benefits - PT onsite rental staff.
Supplies - Meadowbrook	\$2,500.00	Janitorial supplies, paint, floor finish.
Small Tools & Equipment - Meadowbrook Rentals	\$3,000.00	Equipment replacement - Tables/chairs/AV.
Small Tools & Equipment - Meadowbrook Maintenance	\$1,500.00	Small tools, security, lights.
Advertising - Meadowbrook Rentals	\$300.00	Rental venue advertising.
Repairs & Maintenance - Facilities - Meadowbrook	\$2,250.00	General facility maintenance/repairs.
Repairs & Maintenance - Meadowbrook	\$4,455.00	Field and equipment maintenance and repair.
Maintenance Rentals - Meadowbrook	\$0.00	
Other - Meadowbrook Cleaning Service	\$25,428.00	Contract weekly cleaning service.
Salaries & Benefits - Maintenance - Meadowbrook	\$75,000.00	.75 FTE Staff - Maintenance and mowing.
Park Maintenance Fuel - Meadowbrook	\$3,400.00	Fuel for tractors/equipment.
Professional Services - Grounds Maintenance - Meadowbrook	\$0.00	
Total Expenses	\$192,888.00	

Total Net Income/Loss	(\$50,000.00)
------------------------------	----------------------

Facility Repairs

Repairing and Replacing Sliding Door Windows	\$18,942.47	Installation
	\$46,442.20	Sliding Door Acquisition
Simple Gate at entrance to Swing Rock	\$1,500.00	Acquisition and installation

Total Capital Request	\$66,884.67
------------------------------	--------------------



Sierra Pacific Windows

Alex Boer - Territory Manager PNW

9050 Orion Drive NE Suite # A
 Lacey, WA 98516
 (360)236-8757 (Office)
 (253)335-2210 (Cell)
 (360)236-9240 (Fax)
 aboer@spi-ind.com

CUSTOMER COPY

Order Number 78500092

Page 1 of 7

8.55

Item 4.

September 20, 2024
 11:42 AM

Terms: Cash on Delivery
Required Deposit: \$23,221.10
PO # :
Job # :
Permit # : F6
Box Screens: No
Box Hardware: No

Direct Ship: No
Add-On to:
Subdivision:
Tract Number:
Property Location: 1711 BOALCH AVE NW
 NORTH BEND, WA 98045-

Sold To:
 MEADOWBROOK FARM
 1711 BOALCH AVE NW
 NORTH BEND, WA 98045-

Ship To:
 MEADOWBROOK FARM INTERPRETIVE
 CTR
 1711 BOALCH AVE NW
 NORTH BEND, WA 98045-

Property Owner:
 MEADOWBROOK FARM
 1711 BOALCH AVE NW
 NORTH BEND, WA 98045-

Lender:

Order Check List

_____ Species	_____ Jamb Size	_____ Drawing Page(s)	_____ Owners Manual/SPW Warranty	Color(s) (Clad) in order _____
_____ Quantity	_____ Primed vs Natural	_____ O/S Purchase lead time	_____ Installation Instructions	
_____ Operation	_____ Exterior Trim	_____ O/S Purchase warranty	_____ Shop Drawings	
_____ Rough Opening	_____ Hardware	_____ WUI Compliant	_____ (Exterior) _____ (Interior) Distressed	
_____ Glazing / Lites	_____ Screens	_____ Terms and Conditions	_____ Traditional _____ Contemporary	

Warranty Information

[1] [2]

Modified Limited Warranty

(Applies to these line item numbers)

(This order is subject to the terms and conditions printed on the back page. Please read them before signing.)

Customer Signature: _____

Date: _____

Sales Rep Signature: _____

Alexander Boer

Weighted Values

U-Fac: 0.28

SHGC: 0.25

sq ft: 268

Order Summary

Item Total	\$45,487.20
OS Screens	\$0.00
Delivery	\$500.00
Setup & Misc. Charges	\$455.00
Net Total	\$46,442.20
Tax Rate	\$0.00
Labor Charge	\$0.00
Total	\$46,442.20



Item 4.

Item	Qty	Product Code	Rough Opening Width x Height (Inches)	Oper	Sym	Location	Glaze Options	Lite or Grille Pattern	Hardware	Exterior Trim	Jamb Size (inches)	Additional Options	Unit Price	Item Total
1	1	IBD3-035 1/8104 3/8-5 Bifold Inswing Door - E3 Drawing Required Modified Limited Warranty U-fac: 0.28 SHGC: 0.25 Vt: 0.42 CR: 59	179 1/4"x109"	YRRRR			Blk Warm Edge Insulated Argon LoE-272 Tempered Cntmp Bead Head:4 5/8" Stile:4 5/8" Kick:6 13/16"	1 Lite	Top Fishblt-24" Aluminum Sill Spl Trim Sets BRSH SST - Flushbolt BRSH SST - Hinges Verona/374 Satin Nickel - Trim Set Bronze - Track Black - Weatherstrip	No Brickmould	6 9/16"	Mixed Grain Doug Fir Natural Int Natural Ext No Int Kerf 2 1/4" Panel CoreGuard Std	\$22,743.60	\$22,743.60
Top Fishblt: 24";														
2	1	IBD3-035 1/8104 3/8-5 Bifold Inswing Door - E3 Drawing Required Modified Limited Warranty U-fac: 0.28 SHGC: 0.25 Vt: 0.42 CR: 59	179 1/4"x109"	YRRRR			Blk Warm Edge Insulated Argon LoE-272 Tempered Cntmp Bead Head:4 5/8" Stile:4 5/8" Kick:6 13/16"	1 Lite	Top Fishblt-24" Aluminum Sill Spl Trim Sets BRSH SST - Flushbolt BRSH SST - Hinges Verona/374 Satin Nickel - Trim Set Bronze - Track Black - Weatherstrip	No Brickmould	6 9/16"	Mixed Grain Doug Fir Natural Int Natural Ext No Int Kerf 2 1/4" Panel CoreGuard Std	\$22,743.60	\$22,743.60
Top Fishblt: 24";														
3	1	Gold Level Lock & Slide												

Abbreviation Key

Glaze Options	Hardware Options	Exterior Trim	Additional Options	
Insulated - Insulated Glass SIM DL - Simulated Divided Lite Lami IG-Ext - Laminated Glass to Exterior Lami IG-Int - Laminated Glass to Interior	TSL - Tandem Sash Lock Adj Hinges - Adjustable Hinges BB Hinges - Ball Bearing Hinges Prem Screen - Premium Screen	Swing Screen - Swing Door Screen Const Hdw - Construction Hardware Rem Handle - Removable Handle Spl Trim Sets - Special Trim Sets	SBM = Stucco Brickmould ESH = Extended Sill Horn ESN 2 = Extended Sill Nose 2" ESN 3 = Extended Sill Nose 3" Primed Int. - Primed Interior Clear Int. - Clear Interior Primed Ext. - Primed Exterior Clear Ext. - Clear Exterior	Tradl Profile - Traditional Profile Cntmp Profile - Contemporary Profile No Int Kerf - No Interior Kerf Shdw Bd Stop - Shadow Back of Bead Stop

Warranty Information

MODIFIED LIMITED WARRANTY Sierra Pacific Windows provides a modified Limited Warranty for certain windows and doors, including, but not limited to:

1. Products exceeding their certified test/design size as defined by the Window and Door Manufacturer's Association (WDMA) Hallmark Program.
2. Products subjected to conditions exceeding their WDMA Hallmark certified design pressure limitations.

Products described in Items 1 and 2 are not certified for air infiltration, water penetration, structural loading, forced entry or hardware load testing. These products carry a warranty on the exterior aluminum clad finish and insulated glass only. Customer is advised to carefully review the Limited Warranty for the specific provisions applicable to the products purchased.

3. Products with mill finish aluminum exterior cladding.

Products described in Item 3 do not carry coverage under the "Metal Clad-Powder Coated Finishes" portion of the Sierra Pacific Windows Limited Warranty. These products carry a warranty on insulated glass, hardware and wood components only. Customer is advised to carefully review the Mill Finish letter attached for specific provisions applicable to the products purchased.

Disclaimer Information

Outside Purchase Items: Warranty covered by product manufacturer's specific warranty.	Radius Sedonas: Limited sash opening
Sedonas with jambs greater than 4-9/16: Limited screen opening	Triple Glaze Units do not include shadow bar

Terms and Conditions of Sale

1. TERMS:
 - a. All C.O.D. orders are to be paid in full to the delivery driver with either a Cashier's Check or a personal check, preprinted with the Buyer's name and address, prior to unloading the order. On orders where vouchers are pre-approved, they must be presented to the driver prior to unloading the order.
 - b. No deductions may be taken from the invoice amount unless authorized by Sierra Pacific Windows prior to delivery. Sierra Pacific Windows will not be responsible for any back charges resulting from additional materials or work performed by others (see Warranty for further information)
 - c. Past due balances are subject to 1.5% monthly finance charge.
 - d. Any check or other payment returned to Sierra Pacific as the result of insufficient funds or canceled payment will result in a \$50 processing fee added to the order total.
2. RIGHT TO LIEN:
 - a. In the event the contract amount is not paid in full, Sierra Pacific Windows reserves the right to place a lien or bond which may be asserted under any provision of the law, to secure payment of the contract amount.
3. ATTORNEY FEES:
 - a. ATTORNEY FEES: If any legal action, arbitration or other proceeding is brought for the enforcement of this Agreement, or because of any alleged dispute, breach, default or third party claim of construction defect made in connection with this Agreement, the prevailing party shall be entitled to recover reasonable attorneys' fees, expert fees, costs and expenses it incurred in that action or proceeding.
4. ESTIMATE OR BIDS:
 - a. All pricing is good for 30 days unless specifically noted to the contrary.
 - b. Sierra Pacific Windows assumes no responsibility for errors in take-offs or pricing.
5. ORDERS:
 - a. Upon signing, Customer agrees to all terms and conditions of this contract.
 - b. Orders are subject to delay due to strikes, fire, floods, accidents, or any other cause beyond our control. Sierra Pacific Windows will not be responsible for loss or damage beyond its control.
 - c. Seller is not liable for prospective profits or special indirect, consequential or incidental damages, nor may the recovery of any kind against seller be greater in amount than the purchase price of the specific material sold and causing the alleged loss damage or injury.
 - d. Sierra Pacific Windows reserves the right to adjust prices or to add charges for additional costs for order changes made at the request of the buyer at any time following original order acceptance. For example, storage fees for failure to take delivery as scheduled.
 - e. Any change to the order may result in a delayed delivery date.
6. TAILGATE DELIVERY:
 - a. Sierra Pacific Windows is not responsible for labor to unload. Buyer must provide sufficient labor at the job site when driver arrives.
 - b. Back orders will be noted on the paperwork and will deliver as soon as possible.
 - c. Any items missing or damaged must be noted on the driver's paperwork at the time of delivery or it will be assumed complete and in good condition.
 - d. Sierra Pacific Windows is not responsible for goods picked up by buyer in his/her own vehicle.
7. SALES TAX:
 - a. The Sales Tax rate in this quote is estimated at the time of the quote. Customer agrees to pay the actual Sales Tax in effect at the time of delivery of any portion of this order.



Item 4.

SIERRA PACIFIC WINDOWS LIMITED WARRANTY FOR WOOD/CLAD RESIDENTIAL PRODUCTS

Effective May 1, 2017

- I. LIMITED WARRANTY FOR RESIDENTIAL PRODUCTS.** This Limited Warranty for Wood/Clad Products (the "Limited Warranty") is provided by Sierra Pacific Windows ("SPW"), on the terms and conditions set forth herein solely for Residential Products as described herein.
- A. General Eligibility of Residential Products.** Subject to the other terms and conditions set forth herein, Residential products eligible for coverage under this Limited Warranty are limited to certain residential wood and clad window and door products which were (1) manufactured by SPW on or after May 1, 2017, (2) purchased from a SPW salesperson or an authorized dealer of SPW, (3) installed in a single family detached dwelling unit in the United States or Canada in a good and workmanlike manner in accordance with any installation instructions or other specifications of SPW, and (4) satisfying the other terms, conditions and restrictions contained herein ("Residential Products"). Notwithstanding anything contained herein to the contrary, the Limited Warranty shall not apply to, and SPW does not warrant, any Residential Product which is sold subject to another express or implied warranty, whether provided by SPW or a third party, or which is sold in "as-is" condition, as a sample or open box item, as a returned product, in defective, damaged, used, or previously sold condition or otherwise not in new, original and as-manufactured condition. This Limited Warranty is available to the original purchaser of an eligible Residential Product and it is transferable to a subsequent owner of the same real property in which such eligible Residential Product is installed, for the remaining warranty period of such eligible Residential Product as set forth herein.
- B. Limited Warranty for AAMA 2605 Powder Coated Finishes.**
- i. **Thirty (30) Year Limited Warranty for Cracking or Checking.** Except as otherwise expressly provided herein, SPW warrants that the coating on the metal cladding in Residential Products will be free from cracking or checking, when observed at a distance of ten feet (10') from the metal surface and inspected at an angle of 90 degrees to the surface as set forth in AAMA 2605-11, resulting from defects in workmanship or materials for a period of thirty (30) years from the date of manufacture of such Residential Product.
 - ii. **Twenty-Five (25) Year Limited Warranty for Color Change.** Except as otherwise expressly provided herein, SPW warrants that Residential Products will be free from color change of more than seven (7) Delta E units in accordance with ASTM D2244 resulting from defects in workmanship or materials for a period of twenty-five (25) years from the date of manufacture of such Residential Product.
 - iii. **Twenty (20) Year Limited Warranty for Color Change, Chalking, Adhesion Loss.** Except as otherwise expressly provided herein, SPW warrants that the metal cladding in Residential Products will be free from color change of more than five (5) Delta E units in accordance with ASTM D2244, chalking in excess of a number eight (8) rating based on ASTM D4214, and adhesion loss (peeling), that materially and adversely affects the appearance of the surface to which the coating is applied when observed at a distance of ten (10) feet from the metal surface and inspected at an angle of 90 degrees to the surface as set forth in AAMA 2605-11, resulting from defects in workmanship or materials for a period of twenty (20) years from the date of manufacture of such Residential Product.
 - iv. **Coverage Terms.** This Limited Warranty for AAMA 2605 Powder Coated Finishes provides full coverage, in a manner consistent with Section III herein below, for fluoropolymer powder performance for the first twenty (20) years from date of manufacture. For the succeeding ten (10) years, SPW's responsibility for corrective action due to fluoropolymer powder failure will be: years 21 through 24 – 60%; years 25 through 27 - 25%; years 28 through 30 – 5%. Customers' percentage of responsibility for replacement product shall be calculated using current list price of items being replaced; customers' prorated responsibility for cost of repair is based upon SPW's invoiced repair costs; refunds will be based upon original purchase price of the product.
- C. Ten (10) Year Limited Warranty for AAMA 2604 Powder Coated Finishes:** Except as otherwise expressly provided herein, SPW warrants that the coating on the metal cladding in Residential Products will be free from color change of more than five (5) Delta E units in accordance with ASTM D2244, chalking in excess of a number eight (8) rating based on ASTM D4214, and cracking, checking or adhesion loss (peeling), that materially and adversely affects the appearance of the surface to which the coating is applied when observed at a distance of ten (10) feet from the metal surface and inspected at an angle of 90 degrees to the surface as set forth in AAMA 2604-10, resulting from defects in workmanship or materials for a period of ten (10) years from the date of manufacture of such Residential Product.
- D. Five (5) Year Limited Warranty for Anodized Finishes.** Except as otherwise expressly provided herein, SPW warrants that all aluminum clad Residential Product that has been anodized will be free from chalking in excess of a number eight (8) rating based on ASTM D4214, or fading or change in color in excess of five (5) Delta E units based on ASTM D2244, each of which materially and adversely affects the appearance of the surface when observed at a distance of ten (10) feet from the metal surface and inspected at an angle of 90 degrees to the surface as set forth in AAMA 611-12, resulting from defects in workmanship or materials for a period of five (5) years from the date of manufacture of such Residential Product.
- E. Two (2) Year Limited Warranty: Interior Finish.** Except as otherwise expressly provided herein, SPW warrants that all factory-applied interior paint and stain finishes in Residential Products will be free from material Finish Defects for a period of two (2) years from the original date of manufacture of such Residential Product. For purposes of this Limited Warranty, a "Finish Defect"

- shall mean cracking, peeling, delaminating, blistering, flaking, chalking in excess of a numerical rating of six (6) (measured per ASTM D4214) or fading or change in color in excess of five (5) Delta E units (calculated per ASTM D2244).
- F. Twenty (20) Year Limited Warranty: Wood Deterioration.** Except as otherwise expressly provided herein, SPW warrants that the wood components of a Residential Product, regardless of wood type, shall be free from material wood deterioration caused by decay or insect, including wood rot, for a period of twenty (20) years from the original date of manufacture of such Residential Product.
- G. Limited Warranty: Hermetic Seals.** Except as otherwise expressly provided herein, SPW warrants the air seal in Residential Products as follows:
- i. **Twenty (20) Year Limited Warranty: Dual Insulated Glass Product.** Except as otherwise expressly provided herein, SPW warrants that the Dual Insulated Glass Product supplied in its Residential Products will be free from the failure of the air seal due solely to defects in workmanship or materials for a period of twenty (20) years from the original date of manufacture of such Residential Product.
 - ii. **Ten (10) Year Limited Warranty: Triple Insulated Glass Product.** Except as otherwise expressly provided herein, SPW warrants that the Triple Insulated Glass Product supplied in its Residential Products will be free from the failure of the air seal due solely to defects in workmanship or materials for a period of ten (10) years from the date of manufacture of such Residential Product.
- H. Ten (10) Year Limited Warranty: FeelSafe™ and Laminated Glass.** Except as otherwise expressly provided herein, SPW warrants that the SPW FeelSafe™ or Laminated Glass in its Residential Product will be free from any material obstructions of vision due to glass delamination from defects in workmanship or materials for a period of ten (10) years from the date of manufacture of such Residential Product.
- I. Five (5) Year Limited Warranty: Specialty Glass.** Except as otherwise expressly provided herein, SPW warrants that Residential Products with custom or special glazings and/or other specialty, custom or non-standard glass options not listed in our product literature or not generally and regularly manufactured by SPW, and all leaded or decorative glass Residential Products, shall be free from defects in workmanship for a period of five (5) years from the original date of manufacture of such Residential Product.
- J. Two (2) Year Limited Warranty: Glass Stress Cracks.** Except as otherwise expressly provided herein, SPW warrants that all glass in its Residential Product shall be free from stress cracks from defects in workmanship or materials for a period of two (2) years from the date of manufacture of such Residential Product.
- K. Ten (10) Year Limited Warranty: General.** Except as otherwise expressly provided herein, SPW warrants that each Residential Product, including its wood components, hardware, weatherstrip and standard screens which accompany the Residential Product (the "Components"), will be free from defects in workmanship or materials which unreasonably affect such Residential Product's normal functioning for a period of ten (10) years from the original date of manufacture of such Residential Product.
- L. One (1) Year Limited Warranty: Specialty Screens.** Except as otherwise expressly provided herein, SPW warrants that specialty screens (e.g. retractable screens, swing door screens) manufactured by others, not by SPW, for a Residential Product will be free from defects in workmanship or materials which unreasonably affect such specialty screen's normal functioning for a period of one (1) year from the earlier of the original date of manufacture of such specialty screen or the date of manufacture of such Residential Product.

II. LIMITATIONS, EXCLUSIONS AND DETAILS OF LIMITED WARRANTY.

- A.** SPW Residential Products are manufactured to certain specifications and ratings, which may include air and water infiltration, structural performance, thermal performance and/or sound transmission. The performance of installed windows and doors as noted on the labels showing National Fenestration Rating Council (NFRC) and Window and Door Manufacturer's Association (WDMA) Hallmark ratings can and will change over time due to environmental conditions, installation technique, maintenance, normal wear and tear, and other factors beyond SPW's control. The initial ratings and specifications are furnished solely to assist the purchaser in comparing products at the time of purchase and are not intended to warrant or guarantee specific field performance at those ratings or specifications as installed or over the life of the Residential Product. These ratings may also apply to single units only, not to mulled configurations.
- B.** This Limited Warranty is limited solely to defects in workmanship and materials arising from the production and manufacture of Residential Products by SPW. Whether or not any of the above warranties apply, in whole or in part, to a Residential Product or are excluded shall be determined by SPW in its sole discretion. SPW will not be liable for, and some or none of the above warranties will apply to or cover problems, claims or liabilities, costs, expenses, damages or losses, or other damage or defects caused by, arising from, or related to, any of the following:
1. Failure to follow any directions, recommendations, maintenance and care instructions, and/or guidelines set forth in SPW's Care and Maintenance Guide, any SPW Owner's Manual for a Residential Product, the Anodized Care and Maintenance Guide, or any other guide, direction or similar publication otherwise established by SPW, found at sierrapacificwindows.com

- (collectively, the "SPW Guides"), or the failure to perform regular, normal or routine and other required maintenance to a Residential Product;
2. Residential Products ordered or manufactured as a custom order, special product or otherwise manufactured according to specifications supplied by the consumer or to specifications other than SPW's standard specifications for a Residential Product;
 3. Residential Products having dimensions greater than those listed in SPW's standard offering of sizes;
 4. Residential Products installed in applications or conditions exceeding their WDMA Halkmark certified performance ratings, tested sizes and/or configurations;
 5. Any air infiltration or water penetration damage resulting from non-factory mulled or non- SPW assembled Residential Products;
 6. Improper handling or installation of Residential Products, including failure to follow SPW's installation instructions and/or failure to install in conformance with accepted construction practices or applicable building codes;
 7. Installation of the window or door in its opening in a manner which is not plumb, square and true and adequately shimmed on all sides;
 8. Installation other than vertical (slope glazing);
 9. Installations in sauna, swimming pool or hot tub rooms, boats, greenhouses or other rooms with high humidity conditions and installations in areas with direct, constant water contact, such as a shower or in the path of sprinkler water;
 10. Operational problems or problems related to water and/or air infiltration/leaking as a result of improper or inadequate flashing, improper installation, flaws in building design or defects in construction;
 11. Any Residential Products installed in any face barrier system or exterior insulation finish system using stucco, synthetic stucco, or other materials, unless the owner can demonstrate to SPW's satisfaction, in its sole discretion, that there is an effectively engineered system for the control and drainage of water or moisture vapor;
 12. Stress or strain due to building movement or settlement, including strain which is applied to the window or door by movement of the building or where provisions have not been made in accordance with sound industry practices for adequate expansion or contraction of framing members;
 13. Products that have been altered or removed and reinstalled;
 14. Wood cellular structure failure for any Components with prolonged or excessive exposure to moisture or soil, including failure to store the Residential Product upon delivery in a dry temperate environment prior to installation;
 15. Improper painting, staining, or field finishing maintenance of wood Components, or failure to apply a coating system meeting SPW's standards, recommendations or guidelines or sound industry practices to bare wood surfaces within the lesser of thirty (30) days after purchase, or as otherwise specified by SPW;
 16. Prolonged exposure to weather in the unfinished and/or primed state;
 17. Minute fracturing or surface mars in finishes occurring during the fabrication process;
 18. Failures arising from the failure to periodically cap bead, check and replace weatherstrip and caulking, and to perform regular, normal or routine maintenance of a Residential Product, whether as set forth in the SPW Guides or otherwise;
 19. Variance in color, grain or texture of wood;
 20. Painting or staining of vinyl parts or weatherstrip;
 21. Any Residential Product installed at an altitude higher than recommended by SPW, whether in the SPW Guides or otherwise;
 22. Any dual insulated glass Products manufactured without capillary tubes and installed at altitudes above 5000 feet without factory pre-approval. Triple glaze insulated glass Products manufactured without capillary tubes and installed at altitudes above 2200 feet;
 23. Rattling of air space grilles;
 24. Scratches, imperfections or blemishes on glass surfaces that do not impair the integrity of the unit, or were not caused by SPW during the manufacturing process, or that do not materially affect normal vision or performance per the guidelines established by ASTM C1036;
 25. Slight imperfections, color variations, wavy or shimmering distortions in the glass related to a laminate interlayer or heat strengthening of the glass;
 26. Any insulated glass unit that has an after-market tint, UV block, or other film or coating applied;
 27. Damage to a Residential Product resulting from any reason other than a manufacturing defect by SPW, including, without limitation, any such damage arising, in whole or in part, from any accident, abusive handling, misuse, or as a result of any cause beyond the control of SPW (e.g. vandalism, fire, flood, earthquake, acts of God or nature, war, civil unrest, natural causes and/or natural disasters, including earthquakes, floods, tornadoes, hurricanes, typhoons or hurricane or typhoon conditions, or any other cause beyond SPW's control);
 28. Condensation, surface fogging or frost on exposed surfaces of Residential Products and any related water damage which may occur as the natural result of humidity within the structure or due to changes in interior/exterior temperatures;
 29. Door warpage of less than 1/4" as measured across the diagonals for doors up to 3'-6" x 7'-0" and/or 3/8" for doors over 3'-6" x 7'-0". This does not refer to the relation of the door panel to the frame or jamb in which it is hung. (NOTE: door warpage may vary as door panels adjust to temperature and humidity in their installed positions.) Action on any claim for warpage may be deferred for up to twelve (12) months at SPW's option to permit conditioning of the door to humidity and temperature ranges at the jobsite;
 30. Door warpage on doors 8 feet and taller, if such doors do not have multipoint hardware;
 31. Doors with flat, low profile or ADA compliant sills will not be warranted against air and water infiltration;
 32. Normal wear and tear and/or natural weathering of any surfaces, including discoloration of interior or exterior finishes, including hardware finishes;
 33. Corrosion, wear or failure of hardware including loss of functionality in extreme conditions including, but not limited to, seacoast or other corrosive environments, as well as based on elevation, orientation, and altitude;
 34. Finish failures or corrosion of aluminum cladding or damage to other Components caused by contact with caustic chemicals or chemical fumes, including but not limited to industrial cleaning agents, acid-based products, chlorine, salt spray, airborne pollutants, mortar, mortar cleaner, alkali hydroxides and brickwash;
 35. Obstructions of air flow to products, including draperies or storm panels;
 36. Products purchased through SPW that are manufactured by a third party (e.g. electric operators, skylites, custom hardware) are not covered under the terms of this warranty. Refer to product manufacturer's warranty for terms of coverage;
 37. Damage occurring or arising from any reason other than a manufacturing defect by SPW, including, without limitation, installation or delivery;
 38. Windows or doors sold with no hardware, special hardware or hardware to be supplied by others;
 39. Problems caused by modification to the product by others (e.g. modifications made to add alarm systems or remote window operators);
 40. Failure to comply with any other provision of this Limited Warranty.
- C. Inert Gases. Residential Products may contain inert gas, intended to improve the thermal performance of the Residential Product.
1. The migration of an inert gas, such as argon, is a natural process that occurs over time and is not a defect. SPW provides no warranty with respect to the migration of an inert gas.
 2. Argon gas within an insulated glass Residential Product will dissipate over time. The conditions of exposure and manner of use of the Residential Product will affect the rate of dissipation. The best manufacturing techniques cannot guarantee that the initial fill rate of inert gas will be maintained during the Residential Product's lifetime. SPW provides no warranty with respect to the dissipation, rate of dissipation or initial fill rate. If the Residential Product is fitted with a capillary tube system, it must be treated as if it is entirely air filled. SPW provides no warranty with respect to the amount or percentage of argon remaining in the insulated glass unit or any thermal performance related to inert gas at any time after manufacture.
- D. Allocation of Risks of Residential Product Performance. Because some water infiltration must be anticipated in all construction, it is imperative that the wall system be designed and constructed to properly manage moisture and that the Residential Products be properly installed. SPW is not responsible for, and provides no warranty with respect to, any claims or damages caused by anticipated or unanticipated water infiltration; deficiencies in building design, construction and maintenance; failure to install SPW products in accordance with SPW Guides; or the use of SPW products in systems, such as barrier wall systems, unless management of moisture within the wall system is adequately incorporated within the design of the system, as determined by SPW in its sole discretion. The determination of the suitability of all building components, including the use of Residential Products, as well as the design and installation of flashing and sealing systems, are the responsibility of the buyer, owner, architect, contractor, installer, or other construction professionals and are not the responsibility of SPW, and SPW disclaims all liability with respect thereto. All risks related to building design and construction, fitness or suitability of Residential Products for a particular purpose, or the maintenance, installation, and use of Residential Products shall be assumed by the buyer and/or owner in conjunction with the architect, contractor, installer, or other construction professionals, and such parties waive and release SPW from any claims or damages related to such risks.
- E. General Residential Product Disclaimers.
1. The performance of the exterior aluminum coated finish, hardware and/or Components may vary based on installation in extreme environments, including but not limited to seacoast and other corrosive environments, as well as based on elevation, orientation, altitude and other atmospheric conditions. Normal, regular maintenance of the product is required to maintain the appearance, to extend the finish life, and to keep the warranty intact.
 2. Fading or color changes may not be uniform if the surfaces are not equally exposed to the sun and elements and such variation in fading or color is not considered to be a defect, and SPW provides no warranty and hereby disclaims any and all liabilities with respect thereto.
 3. Screens are intended solely as protection from insects and are not designed for or intended to provide safety protection or to prevent falling through an open window, and SPW provides no warranty and hereby disclaims any and all liabilities with respect thereto.
 4. Window opening control devices ("WOCDs") are not a substitute for careful monitoring of children. WOCDs must be checked regularly, as necessary, to determine if they are operating properly. SPW provides no warranty and hereby disclaims any and all liabilities with respect thereto.

III. WARRANTY RESOLUTION; EXCLUSIVE REMEDY UNDER THIS LIMITED WARRANTY.

- A. In the event the product fails to conform to the express warranties described above within the stated time period, the Residential Product owner's sole and exclusive remedy is that SPW will, at SPW's sole option and discretion, either repair or provide replacement Residential Product or Components for any defective Residential Product or Component, or refund the original purchase price or original catalog list price, whichever is lower, of the defective Residential Product or Component. SPW may, in its sole discretion, substitute a current design for the original Residential Product or Component or otherwise provide a comparable Residential Product as a substitute. If SPW elects to provide a replacement Residential Product or Component, SPW will pay for the freight to deliver the replacement Residential Product or Component to the place where the defective Residential Product or Component was

delivered from SPW’s factory. Any freight or delivery charges beyond that destination will be the Residential Product or Component owner’s responsibility. Provision of a replacement Residential Product or Component does not extend the warranty time period for the Residential Product or Component, and the warranty time period of the original Residential Product or Component shall continue to apply. SPW may, in its sole discretion, charge the Residential Product or Component owner a fee for performing an onsite inspection if SPW believes coverage under this Limited Warranty is not clear. SPW may, in its sole discretion, refund any such onsite inspection charge if the subsequent inspection by SPW reveals a defect which is covered by this Limited Warranty.

- B. As more fully set forth in Section IV below, the limited warranties set forth in Section I above are the sole and exclusive warranties provided by SPW with respect to Residential Products. As more fully set forth in Section III (A) above and subject to the terms of this Limited Warranty, the sole and exclusive remedy is repair, replacement or refund. SPW cannot and shall not be liable for any other express or implied warranties, guarantees or representations related to a Residential Product or other remedy made or provided by any distributors, dealers, salespersons or other representatives of SPW in any manner, whether written or oral. NO PARTY IS AUTHORIZED TO EXPAND OR CHANGE THE PROVISIONS OF THIS LIMITED WARRANTY IN ANY MANNER. SPW provides the Residential Products on an “as-is” basis. SPW makes no other representations, statements of fact, promises, guarantees or other warranties of any kind or nature, express or implied, with respect to the Residential Products. Except as expressly set forth herein, SPW disclaims any and all other warranties, express or implied, including any warranty relating to workmanship, merchantability, fitness for particular purpose, freedom from defects, or non-infringement.
- C. **Limited Labor Coverage.** In the event that SPW elects pursuant to Section III (A) above to provide for the repair or replacement of a Residential Product covered by this Limited Warranty, SPW will, at its cost and expense, provide the labor to repair or replace such Residential Product, the extent and/or scope of said repair and replacement shall be decided by SPW in its sole discretion, for a period of two (2) years from the date the Product was manufactured. SPW shall not be responsible for, and shall not bear any cost or expense with respect to, any repainting, refinishing or similar activities related to or arising from the repair or replacement of any Residential Product. For purposes of clarification, SPW will not be responsible for any costs or expenses related to labor for repair or replacement outside of the time period specified above.
- D. **Notice of Warranty Claim.** SPW must receive written notice, containing the information below and at the following addresses, from a Residential Product owner claiming coverage under this Limited Warranty within the warranty period and within ninety (90) days of the date the problem with the Residential Product first became known, or should have been known through the exercise of reasonable care, to such owner. In the event that a Residential Product owner fails to comply with the foregoing, such Residential Product owner shall not be entitled to the benefits of any provision of this Limited Warranty. The notice of claim under this Limited Warranty must contain the following information:
 1. The Residential Product owner’s name and telephone number;
 2. The original order number;
 3. The address where the Residential Product is installed;
 4. A description of the Residential Product;
 5. Proof of ownership of the single family detached dwelling unit in which the Residential Product is installed;
 6. The name of the SPW Salesperson or Dealer from whom the product was purchased.
 7. A description of the defect and the date of first discovery of the claimed defect.

The foregoing notice shall be delivered to SPW at:

SIERRA PACIFIC WINDOWS	-Or-	SIERRA PACIFIC WINDOWS
Attn: Warranty Claim		Attn: Warranty Claim
11605 Reading Road/PO Box 8489		575 South Whelen Avenue
Red Bluff, CA 96080		Medford, WI 54451

IV. DISPUTE RESOLUTION

- A. In order to achieve a quick and final resolution of disputes, You and SPW agree that any dispute or claim of any kind or amount arising out of the sale of windows, doors, and related or associated products (“Residential Products”), or otherwise relating to SPW, shall be resolved as follows, hereinafter “Dispute Resolution Agreement” or “Agreement”:
 - i. The dispute or claim shall be submitted to mediation, as described herein; and
 - ii. If the mediation does not resolve the dispute or claim in its entirety, then that dispute or claim, or portion thereof, shall be resolved through binding arbitration, as described herein.
- B. Disputes and claims subject to this Agreement include, but are not limited to:
 - i. Any alleged breach of contract or breach of the duty of good faith and fair dealing;
 - ii. Any alleged breach of warranty, express or implied;
 - iii. Any alleged construction defect, including any claims brought under Civil Code Section 895 et seq. (generally referred to as “the Right to Repair Act” or “SB 800”);
 - iv. Any alleged violation of federal or state law or regulation;
 - v. Any alleged violation of consumer protection or unfair business practice;

- vi. Any alleged tort claim, including but not limited to, claims for negligence, strict liability, or fraud;
- vii. Any other claims, whether arising in equity or common law, and whether seeking damages, injunctive relief, specific performance, declaratory or equitable relief;
- viii. Any dispute regarding the enforceability or applicability of this Dispute Resolution Agreement or any term herein;
- ix. Any dispute regarding the rights, duties and obligations of the parties with respect to this Dispute Resolution Agreement.
- C. **Agreement to Mediate.** You and SPW agree that any dispute or claim arising out of the sale of Residential Products, or otherwise relating to SPW, shall be submitted to non-binding mediation prior to any arbitration proceedings. Either party may commence mediation by notifying the other party in writing of its desire to pursue mediation and the subject of the dispute or claim. The parties will cooperate with one another in selecting a mediator and in scheduling the mediation proceeding. The mediation will be held in Sacramento, California, unless the parties agree otherwise. The parties agree that they will participate in the mediation in good faith. SPW shall be responsible for paying the costs of the mediation. Each party shall be responsible for their own attorney fees and expert fees, if any. All offers, promises, conduct and statements, whether oral or written, made in the course of the mediation by any of the parties, their agents, employees, experts and attorneys, and by the mediator, are confidential, privileged and inadmissible for any purpose, including impeachment, in any arbitration or other proceeding involving the parties, provided that evidence that is otherwise admissible or discoverable shall not be rendered inadmissible or non-discoverable as a result of its use in the mediation.
- D. **Agreement to Arbitrate.** In the event that a dispute or claim arising out of the sale of Residential Products, or otherwise relating to SPW, is not resolved through mediation, You and SPW agree that such dispute or claim shall be resolved through binding arbitration. Arbitration shall be conducted with JAMS, a private alternative dispute resolution business, pursuant to its Comprehensive Arbitration Rules and Procedures and in accordance with the Expedited Procedures in those Rules. SPW shall be responsible for paying the costs of the JAMS arbitration. Each party shall be responsible for their own attorney fees and expert fees, if any. The arbitration will be held in Sacramento, California, unless the parties agree otherwise. Judgment on the arbitration award may be entered in any court having jurisdiction.
- E. **No Jury Trial. YOU AND SPW AGREE TO WAIVE ANY RIGHT TO A JURY TRIAL AND AGREE TO HAVE ALL DISPUTES HEARD AND DECIDED SOLELY BY THE ARBITRATOR CONDUCTING THE BINDING ARBITRATION.**
- F. **No Class Action or Representative Action. YOU AND SPW AGREE THAT ALL DISPUTES OR CLAIMS SHALL BE BROUGHT ONLY ON AN INDIVIDUAL BASIS, AND SHALL NOT BE BROUGHT AS A REPRESENTATIVE OR CLASS ACTION. THE PARTIES AGREE THAT THE ARBITRATOR SHALL NOT HAVE THE POWER TO CONDUCT THE ARBITRATION AS A REPRESENTATIVE OR CLASS ACTION.**
- G. **Limitations on Liability.** You and SPW agree to waive any right to recover indirect, special, incidental or consequential damages or losses, including but not limited to, damages or losses from business interruption, loss of use, loss of business, loss of revenue, or loss of profits. You and SPW agree to waive any right to recover punitive or exemplary damages. You and SPW agree that the arbitrator is not empowered to award such damages. Some states do not allow for the exclusion or limitation of incidental, consequential or indirect damages or losses, so this limitation may not apply to you. You and SPW agree that in no event or circumstance shall the aggregate amount of damages awarded in arbitration(s) exceed the aggregate amount paid to SPW in connection with the sale of the Residential Products; this limit applies regardless of whether damages are awarded in connection with one claim or multiple claims or one arbitration or multiple arbitrations, and regardless of the timeframe over which the claim(s) are made or arbitration(s) instituted.
- H. **Governing Law and Severability.** This Dispute Resolution Agreement and the rights of the parties hereunder shall be governed by and construed in accordance with the laws of the State of California, exclusive of conflict or choice of law rules. The parties acknowledge that this Dispute Resolution Agreement evidences a transaction involving interstate commerce. Notwithstanding the provision in this paragraph with respect to applicable substantive law, any arbitration conducted pursuant to the terms of this Agreement shall be governed by the Federal Arbitration Act (9 U.S.C., Secs. 1-16). In the event any aspect of this Dispute Resolution Agreement is found to be unenforceable or void, the remaining provisions of this Agreement shall remain in full force and effect.
- I. **Opt-Out Procedure.** You may opt-out of this Dispute Resolution Agreement within twelve (12) months from the date of manufacture of your Residential Product by visiting the website www.sierrapacificwindows.com/optout and completing the form to opt-out of this Dispute Resolution Agreement.

(For additional information, including SPW Guides, care and maintenance instructions, installation instructions and previous warranties, refer to www.sierrapacificwindows.com or contact your local Sierra Pacific Windows Service Center or Dealer.

Sierra Pacific Windows

9050 Orion Drive NE Suite # A
Lacey , WA 98516
(360)236-8757 (Office)
(253)335-2210 (Cell)
(360)236-9240 (Fax)
aboer@spi-ind.com

Sold To: MEADOWBROOK FARM
1711 BOALCH AVE NW

Drawings

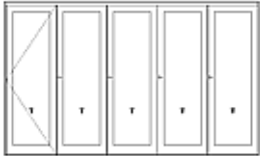
September 20, 2024

78500092

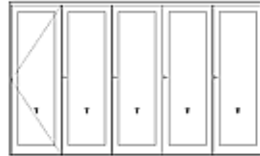
Page 7 of Item 4.

Ship To: MEADOWBROOK FARM INTERPRETIVE
CTR
1711 BOALCH AVE NW

1) IBD3-035 1/8104 3/8-5
(YRRRR)
Qty: 1
RO: 179 1/4"x109"
Jamb: 6 9/16"
Loc:
Sym:



2) IBD3-035 1/8104 3/8-5
(YRRRR)
Qty: 1
RO: 179 1/4"x109"
Jamb: 6 9/16"
Loc:
Sym:



Hardhouse Interiors LLC

10605 SE 240th St #596
 Kent, WA 98031 US
 info@hardhouseinteriors.com



Estimate

<p>ADDRESS Travis James Si View Metropolitan Park District 400 SE Orchard Drive North Bend, WA 98045</p>	<p>SHIP TO Travis James Si View Metropolitan Park District 400 SE Orchard Drive North Bend, WA 98045</p>	<p>ESTIMATE DATE EXPIRATION DATE</p>	<p>Meadowbrook.Doors 09/19/2024 10/18/2024</p>
--	--	---	--

DATE	SERVICE	DESCRIPTION	QTY	RATE	AMOUNT
	Shop Prefinishing	3' x 9' Fir Full Lite SC Exterior Bifold Doors	10	265.00	2,650.00T
	Services	LF of Jamb Stock	66	2.80	184.80
	Shop Prefinishing	Custom Stain Match	1	250.00	250.00T
	Services	4% Environmental Surcharge	1	123.39	123.39
		2 -3 Weeks including shop curing			
	Transport Services	Pick up from pre-finishing shop and transport to job site.	1	500.00	500.00T
	Sierra Pacific BiFold Door Installation - XL	Includes: - removal and disposal of existing interior and exterior trim (where applicable) - removal and disposal of existing doors - prep rough opening - cutback of interior liners and thresholds (where applicable) - cutback of siding (where applicable) - waterproofing of framing, sheathing and envelope - installation of custom head flashing as required by local building code and/or industry standard - wet-set installation of exterior wood trim (where applicable)	2	6,840.00	13,680.00T

- purchase and installation of new 2-1/4 Fir interior casing
- interior caulking (where applicable)
- exterior caulking of doors to trim
- exterior caulking of trim to siding
- hardware installations
- cleaning of glass and frames
- detailed cleanup

Estimated Project Timeline	5 - 6 Working Days	1	0.00	0.00T
Payment Schedule	Scheduling Payment: \$11,365.48 - due upon acceptance to schedule	1	0.00	0.00T
	Final Payment: \$7,576.99 - due upon completion and final walkthrough			

Thank you for choosing Hardhouse Windows & Doors for your Sierra Pacific door installations!

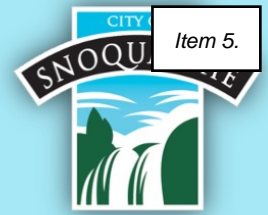
SUBTOTAL	17,388.19
TAX	1,554.28
<hr style="border-top: 1px dashed #000;"/>	
TOTAL	\$18,942.47

Accepted By

Accepted Date

The Year in Review

2024 Top Accomplishments



- 1) Voters overwhelmingly passed a Public Safety Sales & Use Tax Levy at a 66% approval rate to maintain service levels and protect residents' high quality of life.
- 2) The Council adopted the \$174.4 million 2025-26 Biennial Budget with the goals of elevating responsiveness and professionalism while ensuring fiscal sustainability and preserving the City's small-town and sense of community.
- 3) The Community Development Department completed the Snoqualmie 2044 Comprehensive Plan Update to guide future growth and development; launched a city-sponsored home elevation program; and completed FEMA recertifications.
- 4) The Fire Department achieved re-accredited status for another 5 years; completed the process to establish a new community driven strategic plan; and responded to a record number of calls for service, totaling 1715.
- 5) The Police Department opened its North Bend Annex at the Outlet Mall to enhance community presence and reduce crime; increased its recruiting efforts and now have only one open position; and completed assessments to serve as the guide for the department's future accreditation.
- 6) The IT Department upgraded the fire station's phone system; installed a new citywide VPN to improve user experience and increase remote work security; and installed a new AV system in Council Chambers.
- 7) The Finance Department and Human Resources Division completed phase 2 of the ERP System Implementation Project to improve efficiency and accuracy of payroll and HR practices by reducing paper records and manual entry.
- 8) Parks & Public Works Project Success: All-inclusive Park opened; Water Reclamation Facility Phase 3 Project progressed ahead of schedule; 384th Sewer & Sidewalk Project substantially completed; Kimball Creek Bridges Project finished ahead of schedule and under budget; Phase 1 of Tree Equity Project planted 140 new street trees downtown; and Community Center Expansion Project designs completed.
- 9) Events Success: The Parks Division installed the best Winter Lights Displays to date, drawing tourists downtown and delighting residents; Big Truck Day drew hundreds from around the region; Music & Movies in Park enriched summer nights.
- 10) Public Records Management Enhancements: New Records Management Policy adopted; Laserfiche Enterprise Content Management System implemented; new Public Records Request Form and automated workflow launched to increase efficiency.



CITY COUNCIL REGULAR MEETING
Monday, January 27, 2025, at 7:00 PM
Snoqualmie City Hall, 38624 SE River Street & Zoom

MAYOR & COUNCIL MEMBERS

Mayor Katherine Ross

Councilmembers: Ethan Benson, Cara Christensen,
 Catherine Cotton, Bryan Holloway, Jo Johnson,
 Louis Washington, and Robert Wotton

This meeting will be conducted in person at Snoqualmie City Hall and remotely using Zoom.

Join by Telephone: To listen to the meeting via telephone, please call **253.215.8782** and enter Webinar ID **813 0614 8787** and Password **1800110121** if prompted.

Press *9 to raise your hand to speak. Raising your hand signals the meeting moderator that you have a comment.
 Press *6 to mute and unmute.

Join by Internet: To watch the meeting over the internet via your computer, follow these steps:

- 1) Click this [link](#)
- 2) If the Zoom app is not installed on your computer, you will be prompted to download it.
- 3) If prompted for Webinar ID, enter **813 0614 8787**; Enter Password **1800110121**
- 4) Please confirm that your audio works prior to participating.

CALL TO ORDER & ROLL CALL

PLEDGE OF ALLEGIANCE

AGENDA APPROVAL

PUBLIC HEARINGS, PRESENTATIONS, PROCLAMATIONS, AND APPOINTMENTS

Appointments

1. **AB25-xxx:** Appointment to the Arts Commission.

PUBLIC COMMENTS AND REQUESTS FOR ITEMS NOT ON THE AGENDA

(NOTE: No online public comments will be accepted during the meeting. Written comments are encouraged and may be submitted via in-person drop off, mail, or e-mail to cityclerk@snoqualmiewa.gov. All written comments must be received by 3:00 p.m. on the day of the scheduled meeting.)

CONSENT AGENDA

2. Approve the City Council Meeting Minutes dated January 13, 2025.
3. Approve the Claims Report dated January 27, 2025.

ORDINANCES

COMMITTEE REPORTS**Public Safety Committee:**

4. **AB25-002:** Amendment to the 2019 North Bend Interlocal Agreement for Police Services.

Community Development Committee:**Parks & Public Works Committee:**

5. **AB25-012:** Resolution Selecting RH2 for On-Call Water & Sewer Services.

Finance & Administration Committee:

6. **AB25-010:** Snoqualmie Design and Construction Standards Task Order.
7. **AB25-013:** Meadowbrook Farm Operation and Maintenance 2025 Budget.
8. 2024 Top Accomplishments

Committee of the Whole:**REPORTS**

9. Mayor's Report
10. Commission/Committee Liaison Reports

EXECUTIVE SESSION**ADJOURNMENT**

Accommodation: Requests for assistance or accommodations can be arranged by contacting the City Clerk by phone at (425) 888-8016 or by e-mail at cityclerk@snoqualmiewa.gov no later than 3:00 pm the day of the meeting.