



City of Sidney, MT  
Park and Recreation Committee Meeting 10/29/24  
October 29, 2024 6:15 PM  
115 2nd Street SE |Sidney, MT 59270

---

The City Council meetings are open to the public attending in person, with masks encouraged when social distancing cannot be accomplished. If the public does not wish to participate in person, they are also invited to participate via a Zoom meeting. You can participate via phone:

Meeting ID: 713 080 5898    Passcode: 4332809    Call: 1-346-248-7799

1. New Business

[a.](#) Svarre Park Improvements

[b.](#) Veteran's Park Irrigation System Project

**[CITY LETTERHEAD]**  
**[CITY NAME]**

**RESOLUTION TO ADOPT AND ALLOCATE FUNDS FOR AN OUTDOOR FITNESS COURT® AS PART OF THE {{Campaign Year}} NATIONAL FITNESS CAMPAIGN**

**[RESOLUTION NUMBER]**

At a meeting of the [City Council/Township Board] held on [DATE] wherein the following action was taken:

WHEREAS, the [CITY NAME] has submitted a Grant Application to National Fitness Campaign (NFC) for participation in their {{Campaign Year}} initiative to install and activate outdoor Fitness Courts® in 200 cities and schools across the country, and;

WHEREAS, the [CITY NAME] will accept a \$[GRANT AMOUNT] National Grant from our NFC Grant Committee and Statewide Partners, and provide a local match in the amount of [Match Amount Approved by NFC Grants Committee] to promote and implement a free-to-the-public outdoor Fitness Court®, and;

WHEREAS, the [CITY NAME] will secure supplemental funding as needed through community sponsors, which will be made available and committed to this program for the purchase of the outdoor Fitness Court®, and;

WHEREAS, the [CITY NAME] will commit to construction and launch of the outdoor Fitness Court® by the end of the {{Campaign Year}} calendar year, and;

WHEREAS, the [City Council/Township Board] believes the outdoor Fitness Court® is an important wellness ecosystem that supports healthier communities, commits to funding/fundraising to participate in NFC's {{Campaign Year}} Campaign, and will earn local and national recognition as a leader in providing affordable health and wellness.

**NOW THEREFORE:**

BE IT RESOLVED, that the [City Council/Township Board] will collaborate with NFC to implement the outdoor Fitness Court® and make fitness free to community residents and visitors.

**[Sign, Date]**

| REV NO | DATE | DESCRIPTION |
|--------|------|-------------|
|        |      |             |
|        |      |             |
|        |      |             |
|        |      |             |
|        |      |             |
|        |      |             |
|        |      |             |
|        |      |             |
|        |      |             |

VETERANS MEMORIAL PARK IRRIGATION RENOVATION  
CITY OF SIDNEY  
SIDNEY, MONTANA

**IRRIGATION PLAN**

PROJECT NO: WR24-04-111  
DATE: ###/###/2024

SURVEYED BY: GNL  
DESIGNED BY: GNL

DRAWN BY: GNL  
CHECKED BY: GNL

**PRELIMINARY**

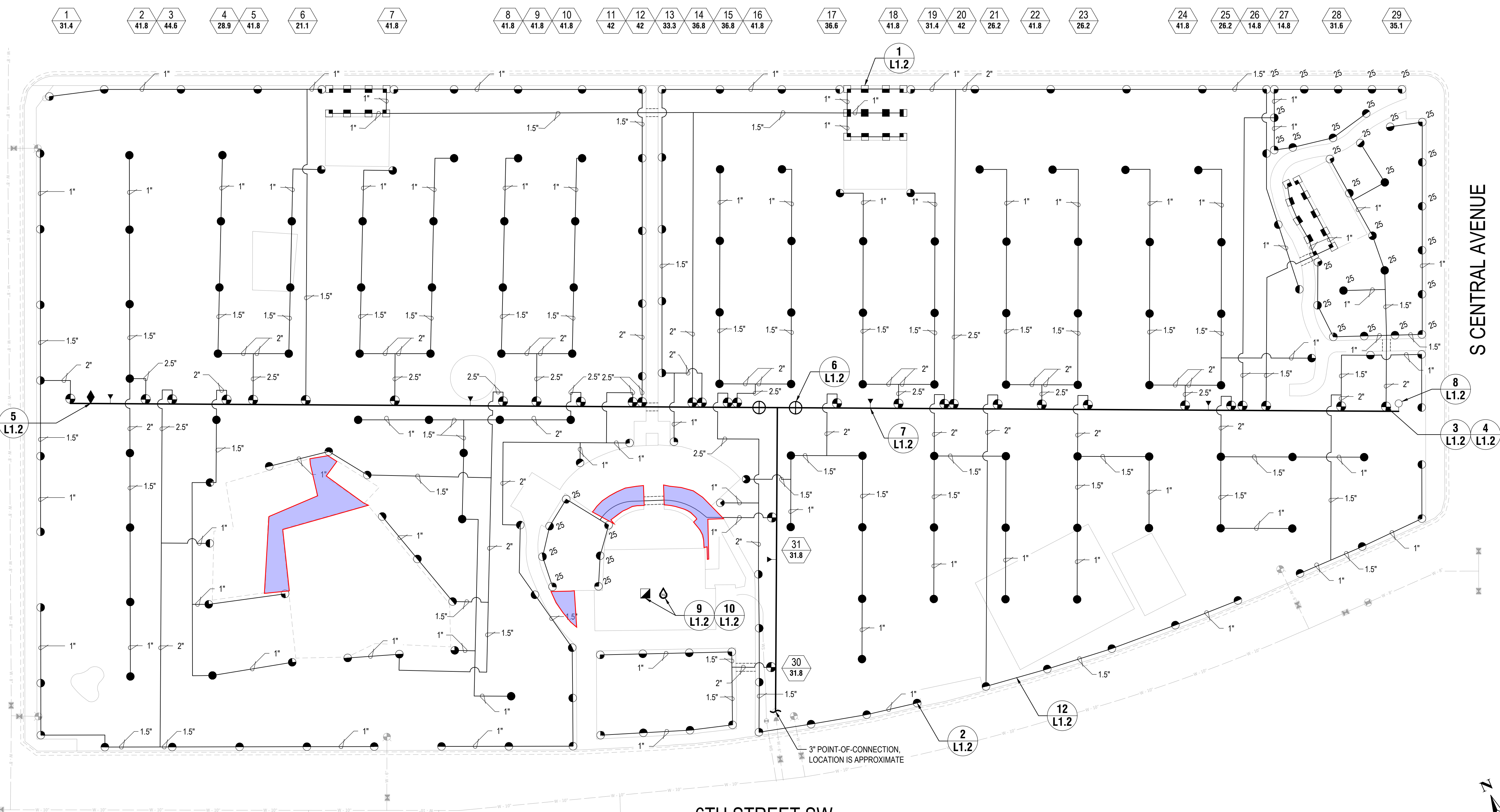
Interstate Engineering  
2177 Lincoln Ave SE  
PO Box 646  
Sidney, MT 59270  
(406) 433-5617  
www.interstateeng.com

**INTERSTATE ENGINEERING**  
Professionals You Trust.

SECTION  
**L**

**1.1**

SHEET NO.



**1**  
**L1.1** IRRIGATION PLAN

| SYMBOL    | DESCRIPTION            | SIZE         | MANUF.   | MODEL #                    |
|-----------|------------------------|--------------|----------|----------------------------|
|           | POP-UP SPRAY HEADS     | 6"           | RAINBIRD | 1806-SAM-PRS-HE-VAN-8, -15 |
|           | POP-UP ROTOR HEADS     | 6"           | RAINBIRD | 5006-+-PC/FC-SAM           |
|           | MP ROTATOR HEADS       | 6"           | RAINBIRD | 5006-+-MPR-25-Q, -H, -F    |
|           | ELECTRIC CONTROL VALVE | 2"           | RAINBIRD | 200-PGA                    |
|           | QUICK COUPLER VALVE    | 1"           | RAINBIRD | 44-RC                      |
|           | MANUAL ISOLATION VALVE | 3"           | MATCO    | 770T10G                    |
| NO SYMBOL | DECODER                | 1 STATION    | RAINBIRD | FD-101TURF                 |
|           | CONTROLLER             | 31 STATIONS  | RAINBIRD | ESP-LXD + LXMPED           |
|           | RAIN / FREEZE SENSOR   | N/A          | RAINBIRD | WR2-RFC                    |
|           | AIR RELEASE VALVE      | 1"           | BERMAD   | IR-C10-P                   |
|           | MAINLINE DRAIN         | 1"           | NIBCO    | N00116A                    |
|           | LATERAL LINE           | AS INDICATED |          | CLASS 200 PVC              |
|           | MAINLINE               | 3"           |          | CLASS 200 PVC              |
|           | SLEEVE LINES           | 6"           |          | SCHEDULE 40 PVC            |

**LAYOUT & EQUIPMENT NOTES**

- REFER TO SHEET L1.2 FOR DETAILS.
- REFER TO SHEET L1.0 FOR EQUIPMENT, MAINLINE, AND SLEEVE LAYOUT AND LOCATIONS.
- USE #6 NOZZLES FOR ALL HALF, THREE-QUARTER, AND FULL PATTERN ROTOR HEADS.
- USE #3 NOZZLES FOR ALL QUARTER PATTERN ROTOR HEADS.
- DO NOT PLACE HALF PATTERN ROTOR HEADS ON THE SAME ZONE AS THREE-QUARTER OR FULL PATTERN ROTOR HEADS.
- DO NOT PLACE SPRAY OR MATCHED PRECIPITATION HEADS ON THE SAME ZONE AS ROTOR HEADS.
- PAIRING RUN TIMES IS ACCEPTABLE FOR RUNNING ZONES SIMULTANEOUSLY. DO NOT EXCEED 76 GPM.

**NOZZLE LEGEND**

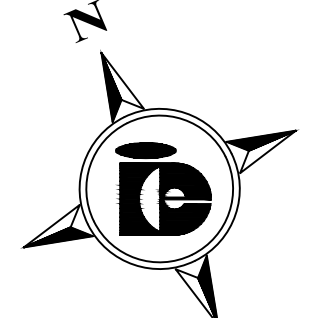
- RAINBIRD 5006 ROTOR, NOZZLES PER NOTES #3 AND #4
- RAINBIRD 5006 ROTOR W/ MPR NOZZLE
- RAINBIRD 1800 SPRAY

**IRRIGATION NOTES**

- VERIFY ALL EXISTING AND PROPOSED SITE CONDITIONS, INCLUDING PLANTING, GRADING, BUILDING CONSTRUCTION, WATER DEVELOPMENT, AND SUPPLY, PRIOR TO COMMENCEMENT OF WORK. NOTE ANY SLEEVES AND IRRIGATION STUBS FOR FUTURE WORK.
- LOCATE AND PROTECT ALL UNDERGROUND UTILITIES, CONDUITS, AND STRUCTURES. ANY DAMAGE INCURRED IS THE CONTRACTOR'S RESPONSIBILITY AT NO ADDITIONAL COST TO THE OWNER.
- THE IRRIGATION CONTRACT INCLUDES THE SUPPLY AND INSTALLATION OF ALL MATERIALS AND EQUIPMENT FOR A COMPLETE, AUTOMATIC IRRIGATION SYSTEM. ANY ITEMS REQUIRED TO CONFORM WITH SUCH INTENT ARE CONSIDERED TO BE INCIDENTAL TO THE WORK.
- THE IRRIGATION PLAN IS SCHEMATIC. FIELD-VERIFY ALL DIMENSIONS, EXISTING, AND PROPOSED CONDITIONS, AS REQUIRED TO PROVIDE ONE COMPLETE AND OPERABLE SYSTEM.
- DO NOT WILLFULLY INSTALL THE SYSTEM WHEN OBVIOUS OBSTRUCTIONS, GRADE CHANGES AND SITE GEOMETRY EXIST. SUCH DIFFERENCES SHALL BE REPORTED TO THE OWNER'S REPRESENTATIVE. IN THE EVENT NOTIFICATION IS NOT MADE, THE CONTRACTOR SHALL ASSUME ALL RESPONSIBILITY FOR ANY NECESSARY REVISIONS.
- CONFORM TO ALL LOCAL CODES REGARDING INSTALLATION.
- IRRIGATION DESIGN IS BASED UPON HAVING 35 PSI AND 5.5 GPM AVAILABLE AT THE FURTHEST HEAD AND 39.5 PSI AND 76 GPM AT THE POINT OF CONNECTION. VERIFY THE ACTUAL PSI AND GPM AVAILABILITY AND COMPATIBILITY WITH THE WATER SOURCE PRIOR TO INSTALLATION. IF CONDITIONS AT POINT-OF-CONNECTION ARE NOT PRESENT, DO NOT INSTALL THE IRRIGATION SYSTEM AND IMMEDIATELY NOTIFY THE OWNER'S REPRESENTATIVE. CONTRACTOR ASSUMES RESPONSIBILITY FOR ANY REWORK AT NO ADDITIONAL COST TO THE OWNER.
- PROVIDE PVC IRRIGATION PIPE, 3" SIZE OR SMALLER IN CLASS 200 I.P.S.; PROVIDE 4" SIZE PIPE AND LARGER IN SCHEDULE 40.

- PROVIDE 6 INCH DIAMETER SCHEDULE 40 PVC FOR ALL ELECTRICAL AND IRRIGATION SLEEVES LOCATED UNDER PAVEMENT.
- PROVIDE DIRECT BURIAL SINGLE CONDUCTOR INSULATED WIRE CONTROL CABLE WIRE, SIZES 14 AWG, UTILIZING LOW DENSITY HIGH MOLECULAR WEIGHT POLYETHYLENE INSULATION, TWISTED, SUITABLE FOR DIRECT BURIAL APPLICATIONS FOR OPERATION UP TO 600 VOLTS AND CONDUCTOR TEMPERATURES UP TO 60C. UL LISTED. PROVIDE SOFT DRAWN BAR COPPER CONDUCTORS MEETING THE REQUIREMENTS OF ASTM B-3 OR B-8. PROVIDE INSULATION THICKNESS OF 0.060 INCH. MARK SURFACE WITH THE MANUFACTURER'S IDENTIFICATION. COMPLETE ALL SPLICES WITHIN VALVE BOXES USING ONE-PIECE, JELLY-FILLED, WATER-PROOF WIRE CONNECTORS WITH 20 EXPANSION COILS PER SPLICE. PROVIDE SLEEVES FOR WIRING UNDER ALL PAVED AREAS.
- BURY ALL MAINLINE PIPE WITH A MINIMUM COVER OF 18 INCHES. BURY ALL LATERAL PIPE WITH A MINIMUM COVER OF 12 INCHES. PULLING OF PIPE 2 INCH DIAMETER OR LESS IS ACCEPTABLE, PROVIDING DEPTHS ARE ACHIEVED. BURY DRIP LATERALS TO ACHIEVE A MINIMUM COVER OF 10 INCH DEPTH. ALL DRIP TUBES WITH EMITTERS SHALL BE AT SURFACE OVER THE FABRIC, BUT UNDER THE MULCH.
- SLOPE MAINLINE TO DRAIN.
- LIMIT THE USE OF FITTINGS AND INSTALL LINE SIZE FITTINGS TO ENSURE MINIMUM FRICTION LOSS IN SYSTEM.
- LOCATE HEADS APPROXIMATELY 2 INCHES FROM PROPOSED CURBS, WALKS AND MOWING EDGES.
- CONNECT ALL SPRAY HEADS TO LATERAL PIPES USING FUNNY PIPE, CONNECT ALL ROTORS TO LATERAL PIPES WITH PVC SWING JOINTS.
- LOCATE SPRINKLER HEADS TO AVOID OBSTRUCTIONS THAT WILL LIMIT RADIUS OF COVERAGE. CAUSE DRY SPOTS, OVER SPRAY ON BUILDINGS, STRUCTURES AND PAVEMENTS OR OTHER WATER DAMAGE.
- NO SUBSTITUTIONS WILL BE ALLOWED WITHOUT WRITTEN CONSENT FROM THE OWNER'S REPRESENTATIVE.

- ALL VALVES TO BE INSTALLED IN RECTANGULAR VALVE BOXES OF PROPER SIZE, DEPTH AND GRADE. PROVIDE VALVE BOX EXTENSIONS AS REQUIRED.
- VERIFY WITH THE OWNER'S REPRESENTATIVE, THE FINAL LOCATION OF THE CONTROLLER AND CONNECTION TO WATER SOURCE TO MEET FIELD CONDITIONS. COORDINATE INSTALLATION WITH OWNER'S REPRESENTATIVE AND OTHER TRADES.
- METER AND BACKFLOW ARE ALREADY PRESENT ON SITE. 3-INCH CONNECTION POINT IS PROVIDED.
- FINAL BALANCE AND ADJUST THE COMPLETE IRRIGATION SYSTEM, INCLUDING SPRAY HEADS AND ROTORS FOR PROPER OPERATION.
- CONTRACTOR IS RESPONSIBLE FOR PERFORMING FIRST-YEAR WINTERIZATION AND SPRING START-UP PRIOR TO MAY 1ST, DURING THE ONE-YEAR WARRANTY PERIOD.
- FINAL INSPECTION: DEMONSTRATE THE ENTIRE SYSTEM IN OPERATION TO THE OWNER'S REPRESENTATIVE, PROVING THAT ALL REMOVE CONTROL VALVES ARE PROPERLY FUNCTIONING, THAT ALL HEADS ARE PROPERLY ADJUSTED FOR RADIUS, AND ARC OF COVERAGE.
- PRIOR TO FINAL PAYMENT THE CONTRACTOR SHALL PROVIDE TO THE OWNER'S REPRESENTATIVE AN AS-BUILT PLAN AND OWNER'S MANUALS. DURING THE COURSE OF THE INSTALLATION, THE CONTRACTOR MUST RECORD ALL CHANGES MADE TO THE IRRIGATION SYSTEM. THE CHANGES MUST BE MADE IN RED ON THE ORIGINAL PLAN.
- WARRANTY THE IRRIGATION SYSTEM FOR A PERIOD OF ONE-YEAR FROM THE DATE OF SUBSTANTIAL COMPLETION. ANY SETTLEMENT THAT OCCURS DURING THIS TIME WILL BE REPAIRED AT THE CONTRACTOR'S EXPENSE.



| INDEX OF DRAWINGS |              |                                       |
|-------------------|--------------|---------------------------------------|
| SEQUENCE NUMBER   | SHEET NUMBER | SHEET(S) TITLE                        |
| 1                 | G1.0         | COVER SHEET                           |
| 2                 | G1.1         | EXISTING CONDITIONS                   |
| 3                 | L1.0         | MAINLINE, EQUIPMENT & SLEEVING LAYOUT |
| 4                 | L1.1         | IRRIGATION PLAN                       |
| 5                 | L1.2         | IRRIGATION DETAILS                    |

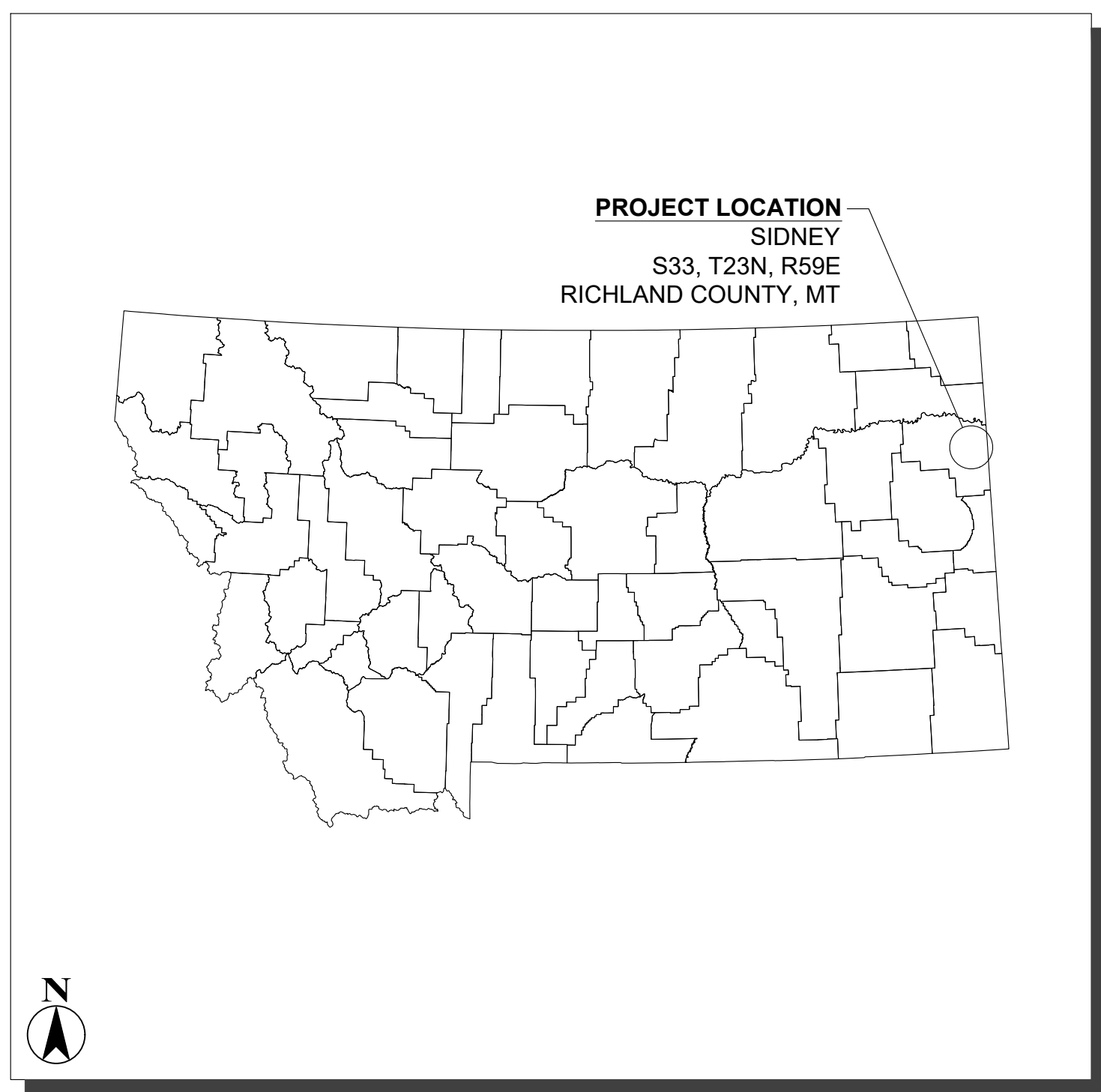
QUALITY REVIEW:  
##/##/2024

BY: GORDON LEMMEL, P.L.A.  
INTERSTATE ENGINEERING, INC.  
PROJECT MANAGER

THIS DOCUMENT IS PRELIMINARY AND IS NOT INTENDED FOR CONSTRUCTION RECORDING, OR IMPLEMENTATION PURPOSES.

# CONSTRUCTION PLANS FOR VETERANS MEMORIAL PARK IRRIGATION RENOVATION

PREPARED FOR  
**CITY OF SIDNEY  
SIDNEY, MONTANA**



LOCATION MAP  
NOT TO SCALE



SITE MAP  
NOT TO SCALE

| CITY OFFICIALS     |                    |            |                  |
|--------------------|--------------------|------------|------------------|
| MAYOR:             | RICK NORBY         | PWD:       | JEFF HINTZ       |
| CLERK / TREASURER: | JESSICA CHAMBERLIN | WTR DEPT.: | JASON ELLETSON   |
| COUNCIL:           | FRANK DIFONZO      | COUNCIL:   | KEN KOFFLER      |
| COUNCIL:           | JOE STEVENSON      | COUNCIL:   | TAMI CHRISTENSON |
| COUNCIL:           | KALI GODFREY       | COUNCIL:   | KYSA RASMUSSEN   |

| REV NO | DATE | BY | DESCRIPTION |
|--------|------|----|-------------|
|        |      |    |             |
|        |      |    |             |
|        |      |    |             |
|        |      |    |             |
|        |      |    |             |
|        |      |    |             |
|        |      |    |             |



Interstate Engineering  
2177 Lincoln Ave SE  
PO Box 648  
Sidney, MT 59270  
(406) 433.5617  
www.interstateeng.com

SECTION  
**G**

---

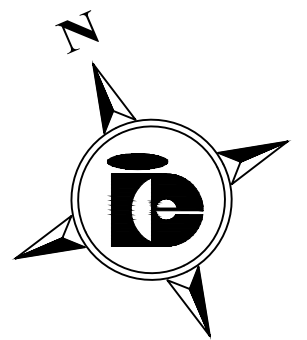
**1.0**

SHEET NO.



1  
G1.1 EXISTING CONDITIONS

SCALE: 1" = 30'  
HORIZONTAL SCALE IN FEET



| REV NO | DATE | BY | DESCRIPTION |
|--------|------|----|-------------|
|        |      |    |             |
|        |      |    |             |
|        |      |    |             |
|        |      |    |             |

VETERANS MEMORIAL PARK IRRIGATION RENOVATION  
CITY OF SIDNEY  
SIDNEY, MONTANA

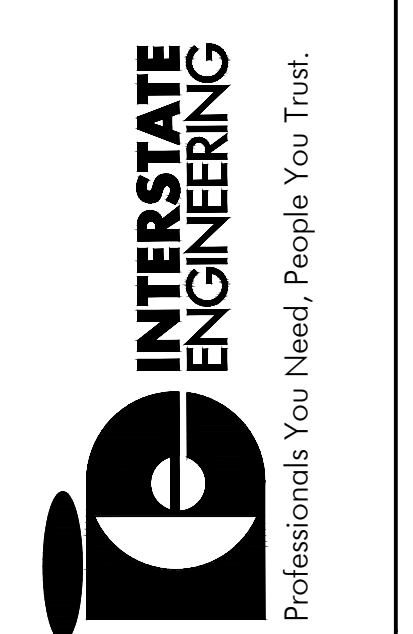
**EXISTING CONDITIONS**

DRAWN BY: GNL  
SURVEYED BY: GNL  
CHECKED BY: GNL

PROJECT NO: WR24-04-111  
DATE: ###/###/2024

**PRELIMINARY**

Interstate Engineering  
2177 Lincoln Ave SE  
PO Box 646  
Sidney, MT 59270  
(406) 433-5617  
www.interstateeng.com



SECTION  
**G**

**1.1**  
SHEET NO.

| REV NO | DATE | BY | DESCRIPTION |
|--------|------|----|-------------|
|        |      |    |             |
|        |      |    |             |
|        |      |    |             |
|        |      |    |             |

VETERANS MEMORIAL PARK IRRIGATION RENOVATION  
CITY OF SIDNEY  
SIDNEY, MONTANA

**MAINLINE, EQUIPMENT & SLEEVING LAYOUT**

PROJECT NO: WR24-04-111  
DATE: ###/###/2024

DRAWN BY: GNL  
CHECKED BY: GNL

SURVEYED BY: GNL  
DESIGNED BY: GNL

**PRELIMINARY**

Interstate Engineering  
2177 Lincoln Ave SE  
PO Box 646  
Sidney, MT 59270  
(406) 433-5617  
www.interstateeng.com

**INTERSTATE ENGINEERING**  
Professionals You Need, People You Trust.

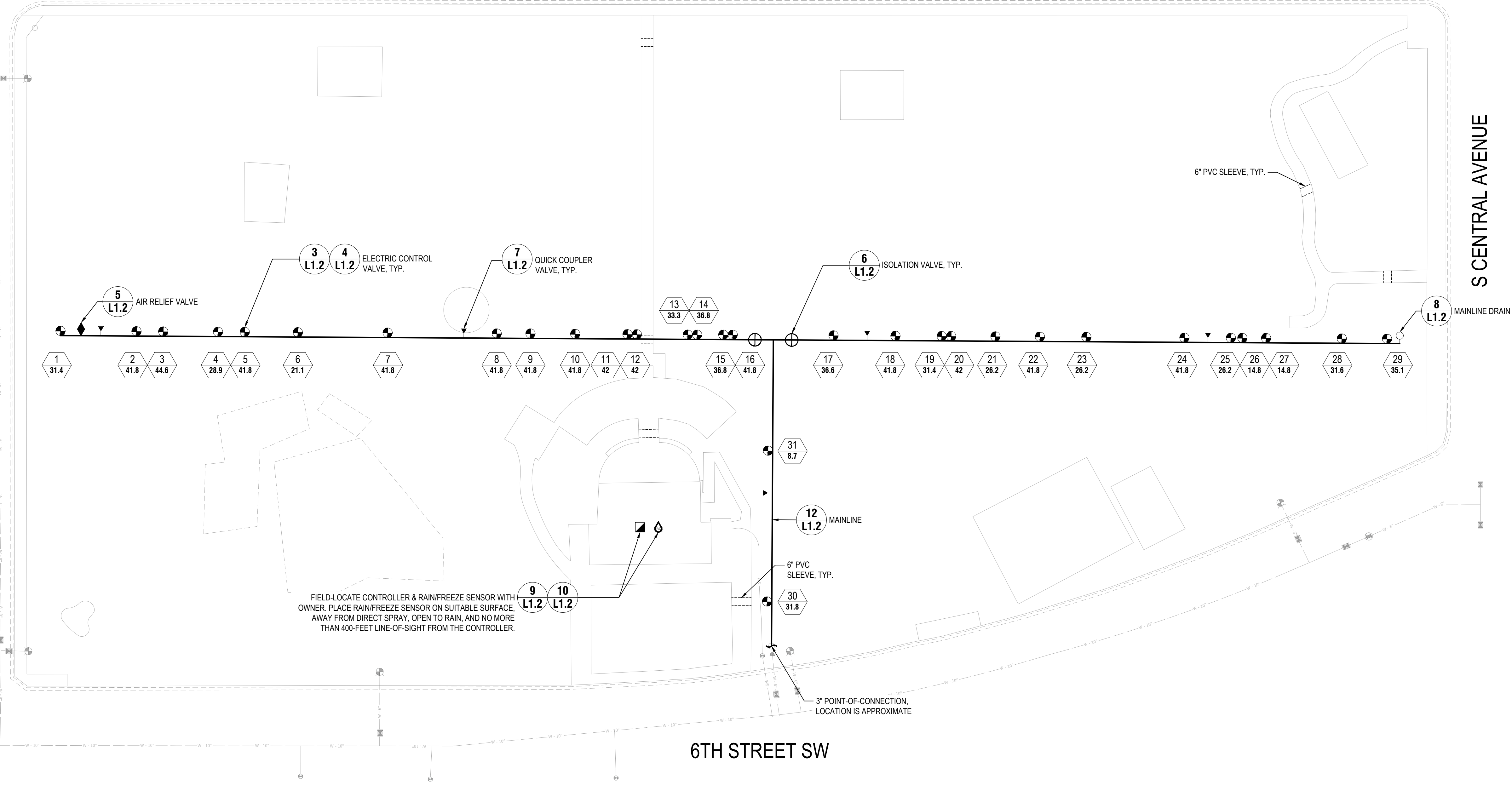
SECTION  
**L**  
**1.0**  
SHEET NO.

5TH STREET SW

3RD AVENUE SW

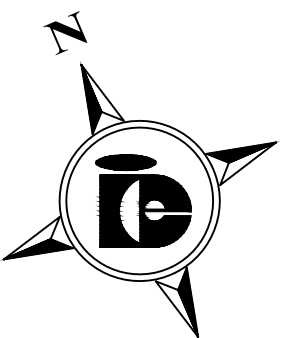
S CENTRAL AVENUE

6TH STREET SW



**1 MAINLINE, EQUIPMENT & SLEEVING LAYOUT**  
L1.0

SCALE: 1" = 30'  
HORIZONTAL SCALE IN FEET



| REV NO | DATE | BY | DESCRIPTION |
|--------|------|----|-------------|
|        |      |    |             |
|        |      |    |             |
|        |      |    |             |
|        |      |    |             |

VETERANS MEMORIAL PARK IRRIGATION RENOVATION  
CITY OF SIDNEY  
SIDNEY, MONTANA

**IRRIGATION PLAN**

PROJECT NO: WR24-04-111  
DATE: ###/###/2024

SURVEYED BY: GNL  
DESIGNED BY: GNL

DRAWN BY: GNL  
CHECKED BY: GNL

**PRELIMINARY**

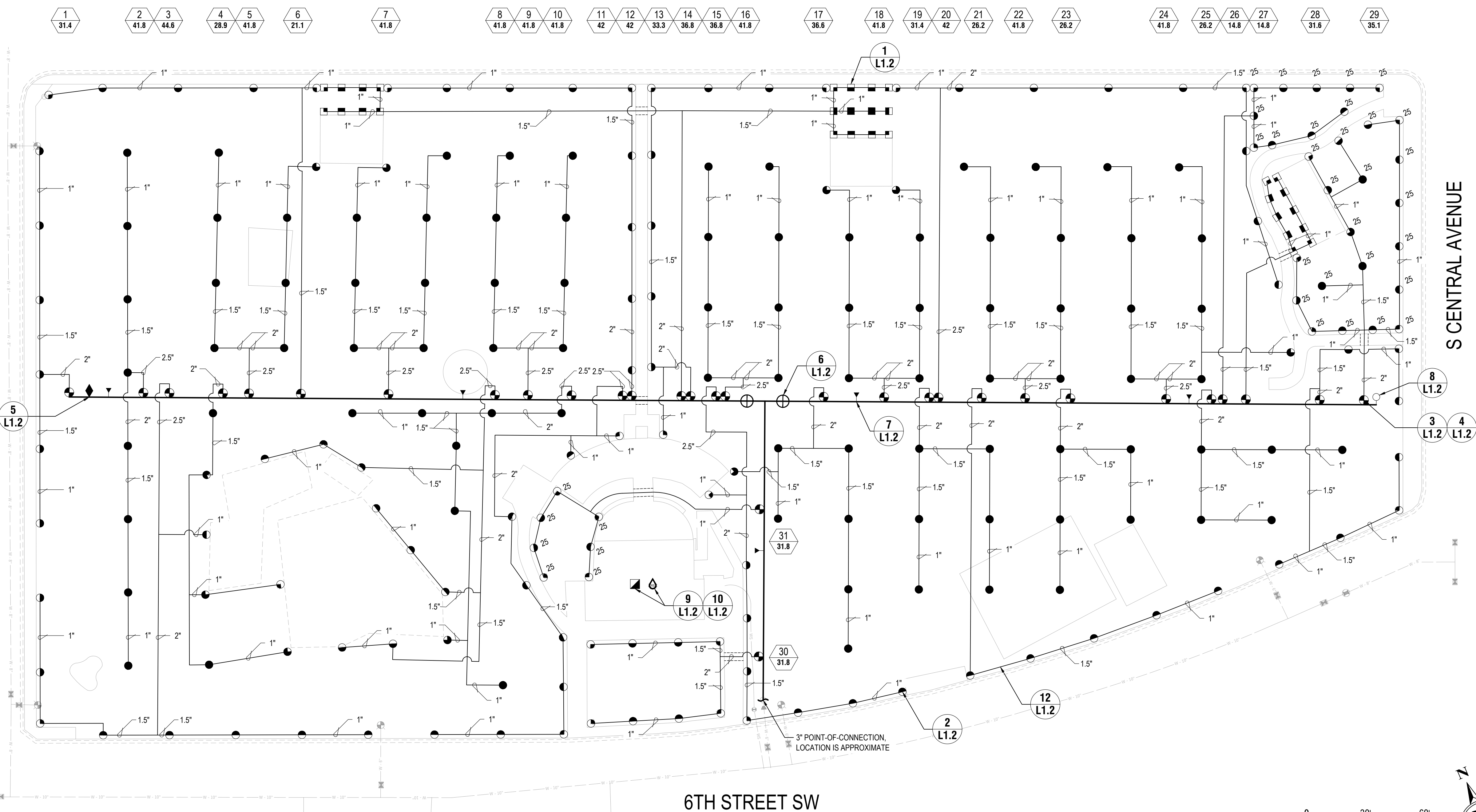
Interstate Engineering  
2177 Lincoln Ave SE  
PO Box 646  
Sidney, MT 59270  
(406) 433-5617  
www.interstateeng.com

**INTERSTATE ENGINEERING**  
Professionals You Need, People You Trust.

SECTION  
**L**

**1.1**

SHEET NO.



**1**  
**L1.1**  
**IRRIGATION PLAN**

| SYMBOL    | DESCRIPTION            | SIZE         | MANUF.   | MODEL #                    |
|-----------|------------------------|--------------|----------|----------------------------|
|           | POP-UP SPRAY HEADS     | 6"           | RAINBIRD | 1806-SAM-PRS-HE-VAN-8, -15 |
|           | POP-UP ROTOR HEADS     | 6"           | RAINBIRD | 5006-+-PC/FC-SAM           |
|           | MP ROTATOR HEADS       | 6"           | RAINBIRD | 5006-+-MPR-25-Q, -H, -F    |
|           | ELECTRIC CONTROL VALVE | 2"           | RAINBIRD | 200-PGA                    |
|           | QUICK COUPLER VALVE    | 1"           | RAINBIRD | 44-RC                      |
|           | MANUAL ISOLATION VALVE | 3"           | MATCO    | 770T10G                    |
| NO SYMBOL | DECODER                | 1 STATION    | RAINBIRD | FD-101TURF                 |
|           | CONTROLLER             | 31 STATIONS  | RAINBIRD | ESP-LXD + LXMPED           |
|           | RAIN / FREEZE SENSOR   | N/A          | RAINBIRD | WR2-RFC                    |
|           | AIR RELEASE VALVE      | 1"           | BERMAD   | IR-C10-P                   |
|           | MAINLINE DRAIN         | 1"           | NIBCO    | N00116A                    |
|           | LATERAL LINE           | AS INDICATED |          | CLASS 200 PVC              |
|           | MAINLINE               | 3"           |          | CLASS 200 PVC              |
|           | SLEEVE LINES           | 6"           |          | SCHEDULE 40 PVC            |

**LAYOUT & EQUIPMENT NOTES**

- REFER TO SHEET L1.2 FOR DETAILS.
- REFER TO SHEET L1.0 FOR EQUIPMENT, MAINLINE, AND SLEEVE LAYOUT AND LOCATIONS.
- USE #6 NOZZLES FOR ALL HALF, THREE-QUARTER, AND FULL PATTERN ROTOR HEADS.
- USE #3 NOZZLES FOR ALL QUARTER PATTERN ROTOR HEADS.
- DO NOT PLACE HALF PATTERN ROTOR HEADS ON THE SAME ZONE AS THREE-QUARTER OR FULL PATTERN ROTOR HEADS.
- DO NOT PLACE SPRAY OR MATCHED PRECIPITATION HEADS ON THE SAME ZONE AS ROTOR HEADS.
- PAIRING RUN TIMES IS ACCEPTABLE FOR RUNNING ZONES SIMULTANEOUSLY. DO NOT EXCEED 76 GPM.

**NOZZLE LEGEND**

- RAINBIRD 5006 ROTOR, NOZZLES PER NOTES #3 AND #4
- RAINBIRD 5006 ROTOR W/ MPR NOZZLE
- RAINBIRD 1800 SPRAY

**IRRIGATION NOTES**

- VERIFY ALL EXISTING AND PROPOSED SITE CONDITIONS, INCLUDING PLANTING, GRADING, BUILDING CONSTRUCTION, WATER DEVELOPMENT, AND SUPPLY, PRIOR TO COMMENCEMENT OF WORK. NOTE ANY SLEEVES AND IRRIGATION STUBS FOR FUTURE WORK.
- LOCATE AND PROTECT ALL UNDERGROUND UTILITIES, CONDUITS, AND STRUCTURES. ANY DAMAGE INCURRED IS THE CONTRACTOR'S RESPONSIBILITY AT NO ADDITIONAL COST TO THE OWNER.
- THE IRRIGATION CONTRACT INCLUDES THE SUPPLY AND INSTALLATION OF ALL MATERIALS AND EQUIPMENT FOR A COMPLETE, AUTOMATIC IRRIGATION SYSTEM. ANY ITEMS REQUIRED TO CONFORM WITH SUCH INTENT ARE CONSIDERED TO BE INCIDENTAL TO THE WORK.
- THE IRRIGATION PLAN IS SCHEMATIC. FIELD-VERIFY ALL DIMENSIONS, EXISTING, AND PROPOSED CONDITIONS, AS REQUIRED TO PROVIDE ONE COMPLETE AND OPERABLE SYSTEM.
- DO NOT WILLFULLY INSTALL THE SYSTEM WHEN OBVIOUS OBSTRUCTIONS, GRADE CHANGES AND SITE GEOMETRY EXIST. SUCH DIFFERENCES SHALL BE REPORTED TO THE OWNER'S REPRESENTATIVE. IN THE EVENT NOTIFICATION IS NOT MADE, THE CONTRACTOR SHALL ASSUME ALL RESPONSIBILITY FOR ANY NECESSARY REVISIONS.
- CONFORM TO ALL LOCAL CODES REGARDING INSTALLATION.
- IRRIGATION DESIGN IS BASED UPON HAVING 35 PSI AND 5.5 GPM AVAILABLE AT THE FURTHEST HEAD AND 39.5 PSI AND 76 GPM AT THE POINT OF CONNECTION. VERIFY THE ACTUAL PSI AND GPM AVAILABILITY AND COMPATIBILITY WITH THE WATER SOURCE PRIOR TO INSTALLATION. IF CONDITIONS AT POINT-OF-CONNECTION ARE NOT PRESENT, DO NOT INSTALL THE IRRIGATION SYSTEM AND IMMEDIATELY NOTIFY THE OWNER'S REPRESENTATIVE. CONTRACTOR ASSUMES RESPONSIBILITY FOR ANY REWORK AT NO ADDITIONAL COST TO THE OWNER.
- PROVIDE PVC IRRIGATION PIPE, 3" SIZE OR SMALLER IN CLASS 200 I.P.S.; PROVIDE 4" SIZE PIPE AND LARGER IN SCHEDULE 40.

- PROVIDE 6 INCH DIAMETER SCHEDULE 40 PVC FOR ALL ELECTRICAL AND IRRIGATION SLEEVES LOCATED UNDER PAVEMENT.
- PROVIDE DIRECT BURIAL SINGLE CONDUCTOR INSULATED WIRE CONTROL CABLE WIRE, SIZES 14 AWG, UTILIZING LOW DENSITY HIGH MOLECULAR WEIGHT POLYETHYLENE INSULATION, TWISTED, SUITABLE FOR DIRECT BURIAL APPLICATIONS FOR OPERATION UP TO 600 VOLTS AND CONDUCTOR TEMPERATURES UP TO 60C. UL LISTED. PROVIDE SOFT DRAWN BAR COPPER CONDUCTORS MEETING THE REQUIREMENTS OF ASTM B-3 OR B-8. PROVIDE INSULATION THICKNESS OF 0.060 INCH. MARK SURFACE WITH THE MANUFACTURER'S IDENTIFICATION. COMPLETE ALL SPLICES WITHIN VALVE BOXES USING ONE-PIECE, JELLY-FILLED, WATER-PROOF WIRE CONNECTORS WITH 20 EXPANSION COILS PER SPLICE. PROVIDE SLEEVES FOR WIRING UNDER ALL PAVED AREAS.
- BURY ALL MAINLINE PIPE WITH A MINIMUM COVER OF 18 INCHES. BURY ALL LATERAL PIPE WITH A MINIMUM COVER OF 12 INCHES. PULLING OF PIPE 2 INCH DIAMETER OR LESS IS ACCEPTABLE, PROVIDING DEPTHS ARE ACHIEVED. BURY DRIP LATERALS TO ACHIEVE A MINIMUM COVER OF 10 INCH DEPTH. ALL DRIP TUBES WITH EMITTERS SHALL BE AT SURFACE OVER THE FABRIC, BUT UNDER THE MULCH.
- SLOPE MAINLINE TO DRAIN.
- LIMIT THE USE OF FITTINGS AND INSTALL LINE SIZE FITTINGS TO ENSURE MINIMUM FRICTION LOSS IN SYSTEM.
- CONNECT ALL SPRAY HEADS TO LATERAL PIPES USING FUNNY PIPE, CONNECT ALL ROTORS TO LATERAL PIPES WITH PVC SWING JOINTS.
- LOCATE HEADS APPROXIMATELY 2 INCHES FROM PROPOSED CURBS, WALKS AND MOWING EDGES.
- LOCATE SPRINKLER HEADS TO AVOID OBSTRUCTIONS THAT WILL LIMIT RADIUS OF COVERAGE. CAUSE DRY SPOTS, OVER SPRAY ON BUILDINGS, STRUCTURES AND PAVEMENTS OR OTHER WATER DAMAGE.
- NO SUBSTITUTIONS WILL BE ALLOWED WITHOUT WRITTEN CONSENT FROM THE OWNER'S REPRESENTATIVE.

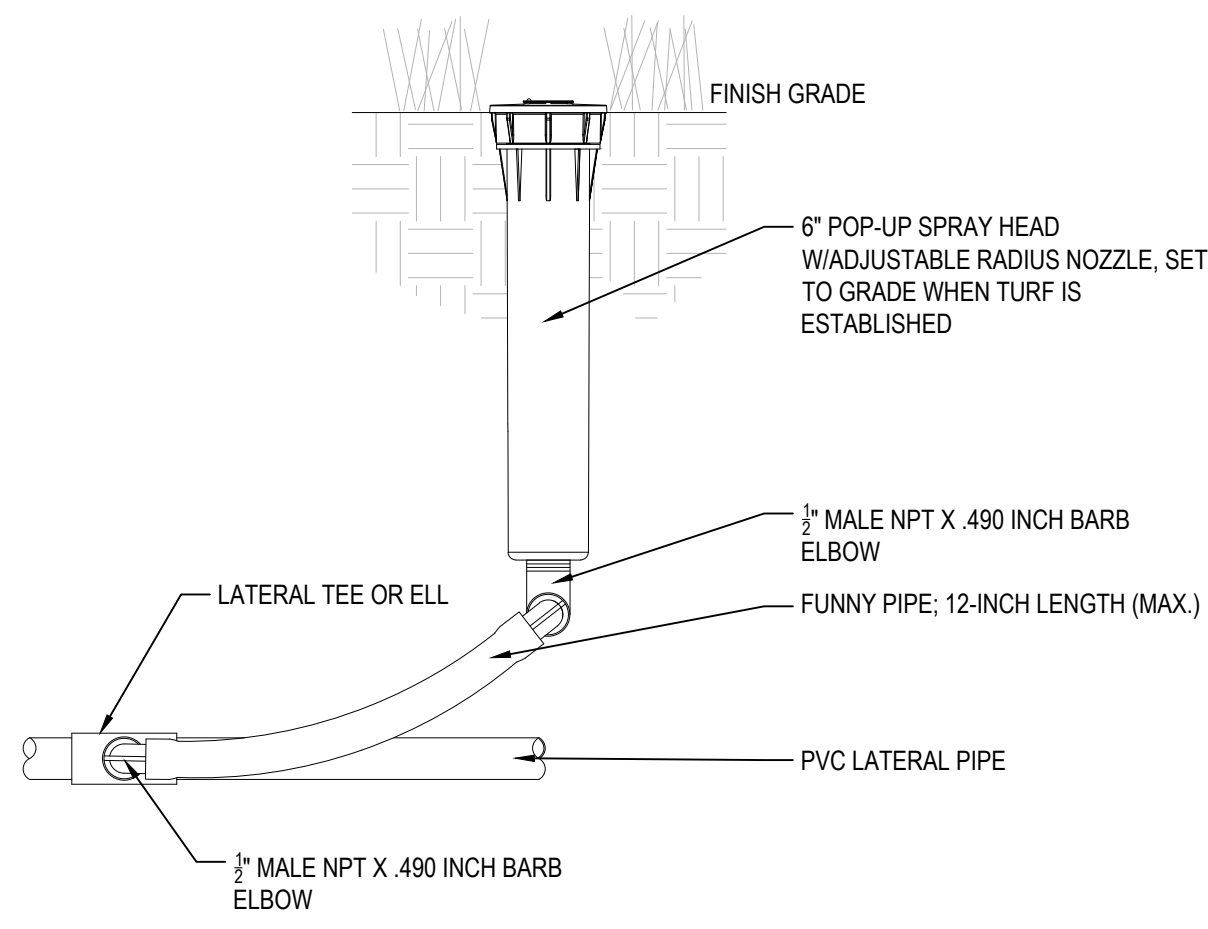
- ALL VALVES TO BE INSTALLED IN RECTANGULAR VALVE BOXES OF PROPER SIZE, DEPTH AND GRADE. PROVIDE VALVE BOX EXTENSIONS AS REQUIRED.
- VERIFY WITH THE OWNER'S REPRESENTATIVE, THE FINAL LOCATION OF THE CONTROLLER AND CONNECTION TO WATER SOURCE TO MEET FIELD CONDITIONS. COORDINATE INSTALLATION WITH OWNER'S REPRESENTATIVE AND OTHER TRADES.
- METER AND BACKFLOW ARE ALREADY PRESENT ON SITE. 3-INCH CONNECTION POINT IS PROVIDED.
- FINAL BALANCE AND ADJUST THE COMPLETE IRRIGATION SYSTEM, INCLUDING SPRAY HEADS AND ROTORS FOR PROPER OPERATION.
- CONTRACTOR IS RESPONSIBLE FOR PERFORMING FIRST-YEAR WINTERIZATION AND SPRING START-UP PRIOR TO MAY 1ST, DURING THE ONE-YEAR WARRANTY PERIOD.
- FINAL INSPECTION: DEMONSTRATE THE ENTIRE SYSTEM IN OPERATION TO THE OWNER'S REPRESENTATIVE, PROVING THAT ALL REMOVE CONTROL VALVES ARE PROPERLY FUNCTIONING, THAT ALL HEADS ARE PROPERLY ADJUSTED FOR RADIUS, AND ARC OF COVERAGE.
- PRIOR TO FINAL PAYMENT THE CONTRACTOR SHALL PROVIDE TO THE OWNER'S REPRESENTATIVE AN AS-BUILT PLAN AND OWNER'S MANUALS. DURING THE COURSE OF THE INSTALLATION, THE CONTRACTOR MUST RECORD ALL CHANGES MADE TO THE IRRIGATION SYSTEM. THE CHANGES MUST BE MADE IN RED ON THE ORIGINAL PLAN.
- WARRANTY THE IRRIGATION SYSTEM FOR A PERIOD OF ONE-YEAR FROM THE DATE OF SUBSTANTIAL COMPLETION. ANY SETTLEMENT THAT OCCURS DURING THIS TIME WILL BE REPAIRED AT THE CONTRACTOR'S EXPENSE.

5A 30 ZONE STATION NUMBER  
GALLONS PER MINUTE (GPM)

X LX DETAIL NUMBER  
SHEET NUMBER

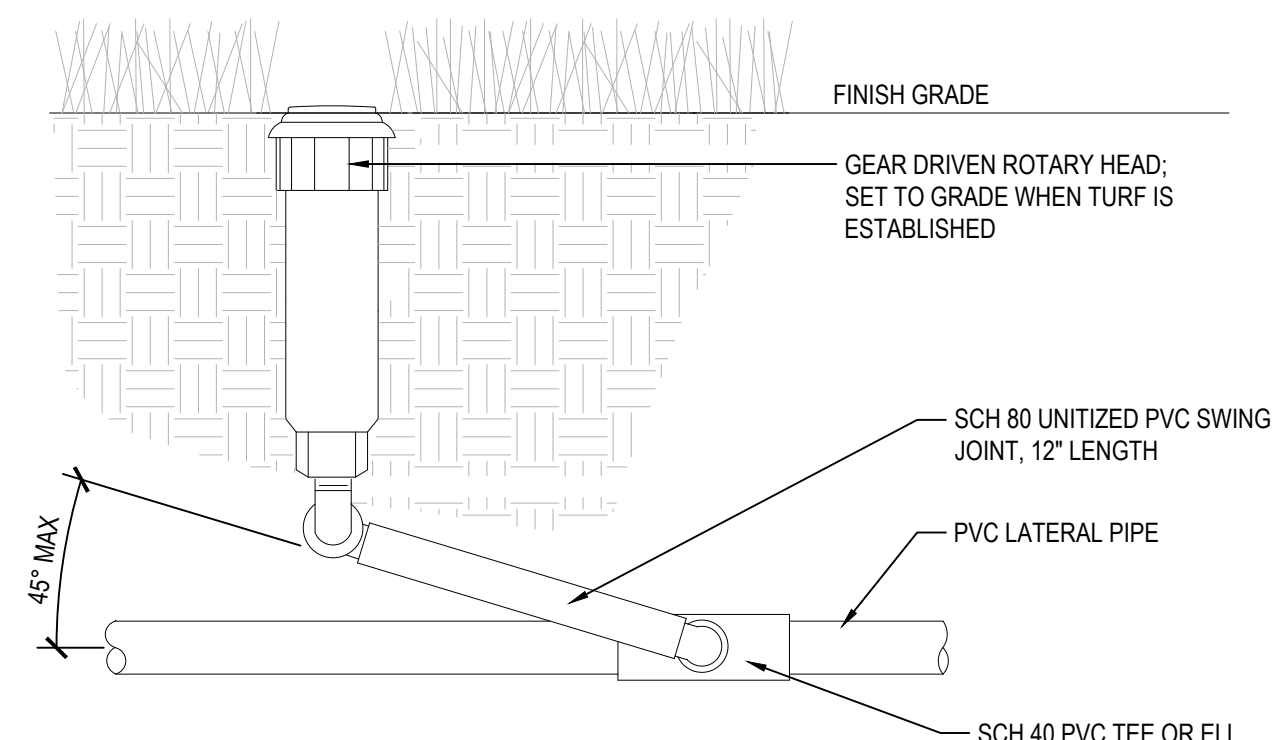
1.5 NOZZLE NUMBER (SEE NOZZLE LEGEND)  
IRRIGATION HEAD



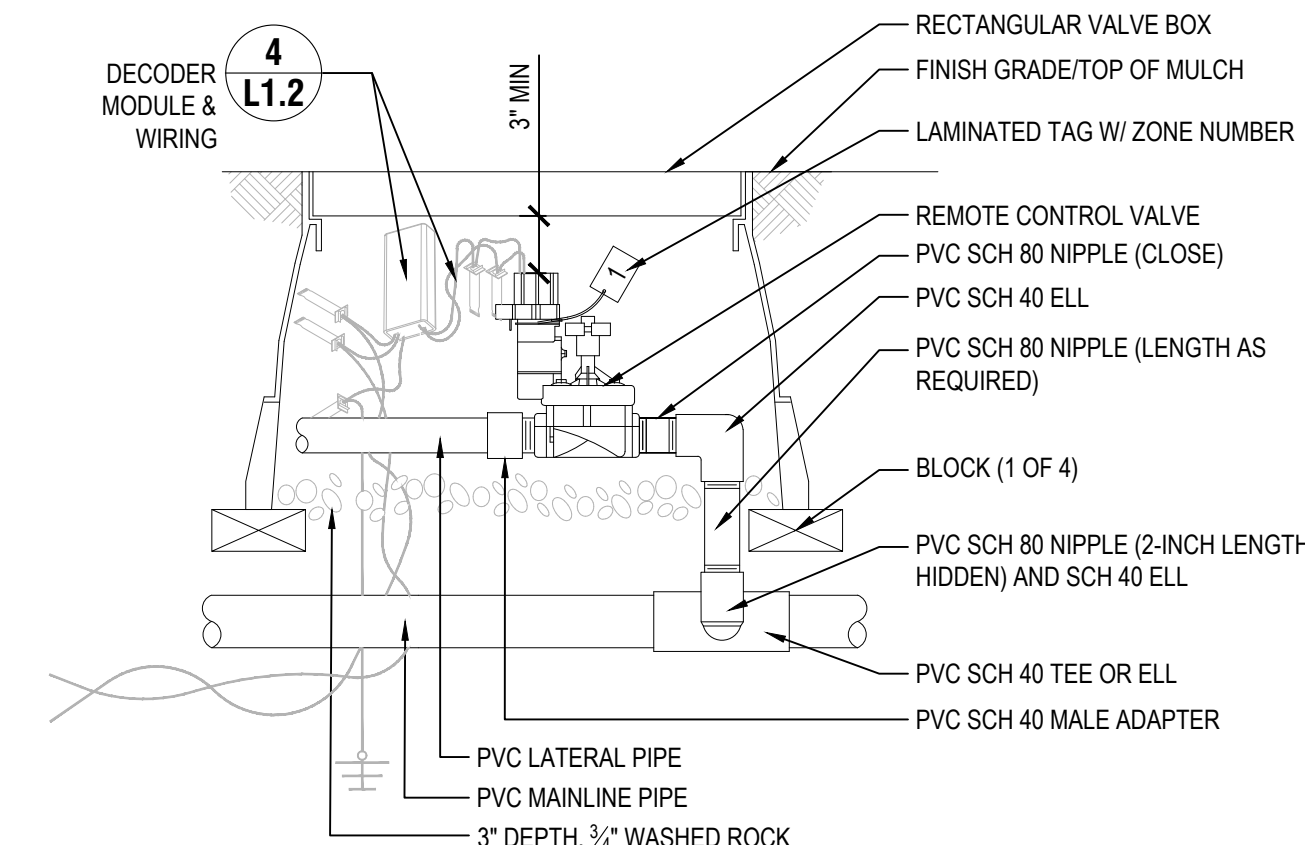


\*\*\*USE OF THE SIDE INLET IS NOT PERMITTED\*\*

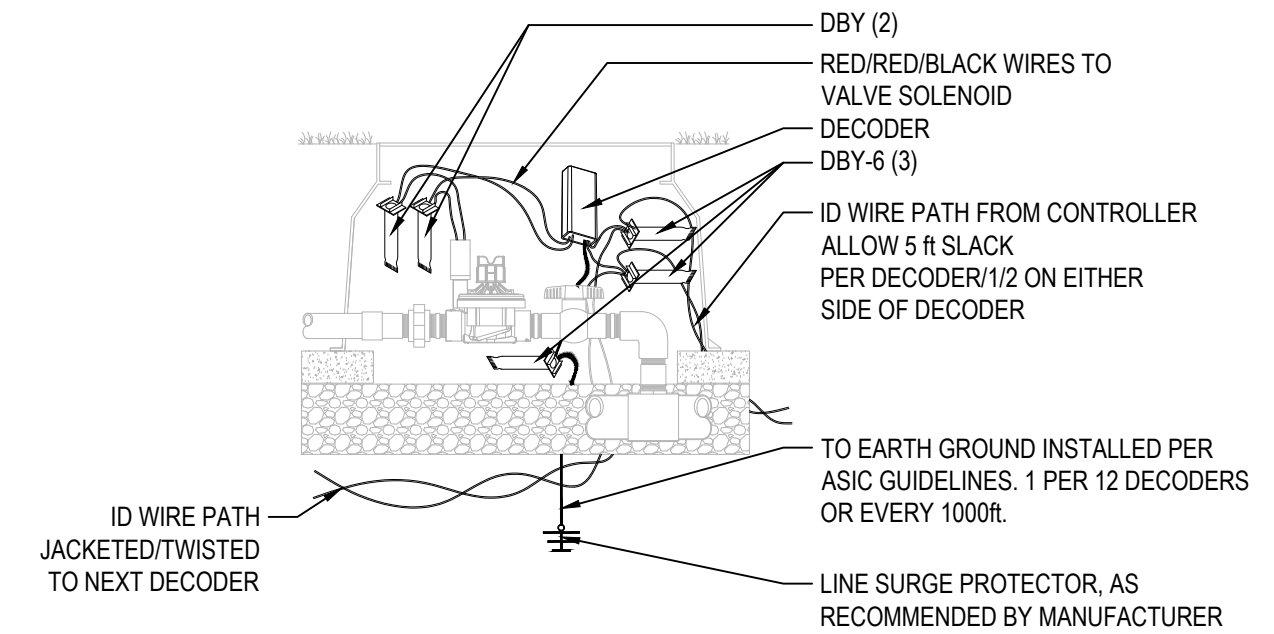
**1**  
**L1.2** **6-INCH POP-UP SPRAY HEAD** NOT TO SCALE



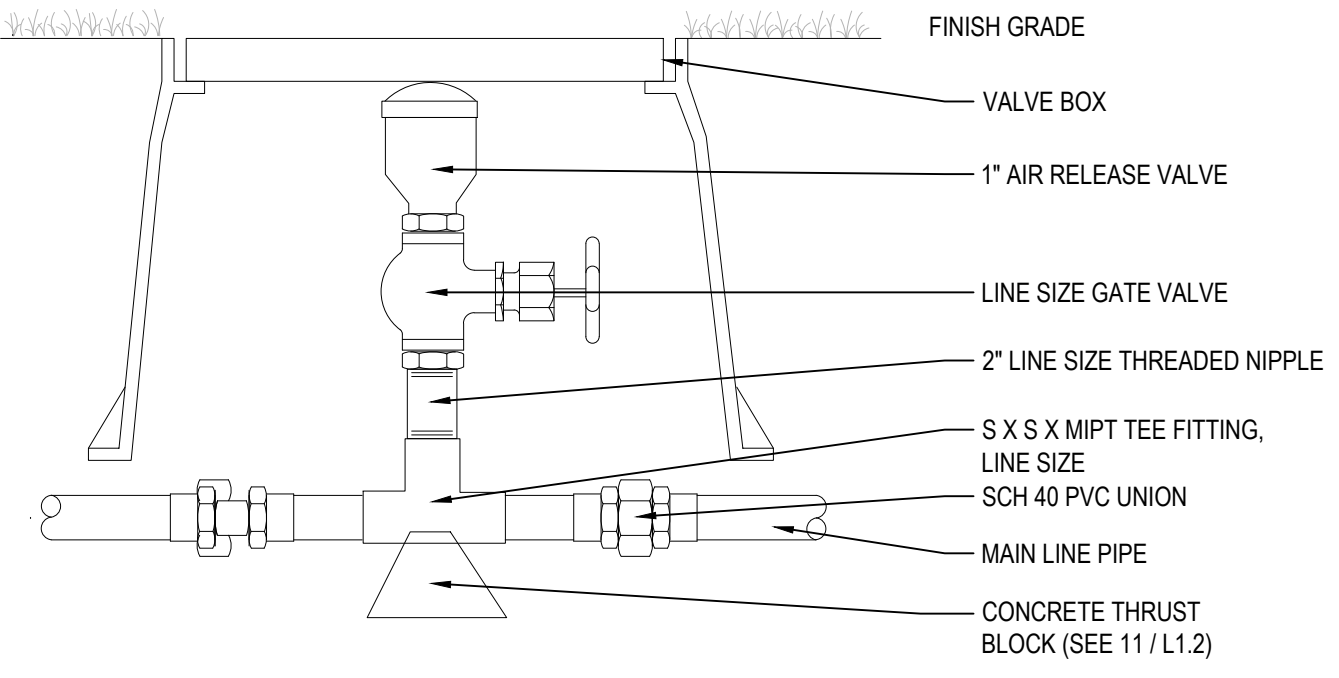
**2**  
**L1.2** **ROTOR HEAD** NOT TO SCALE



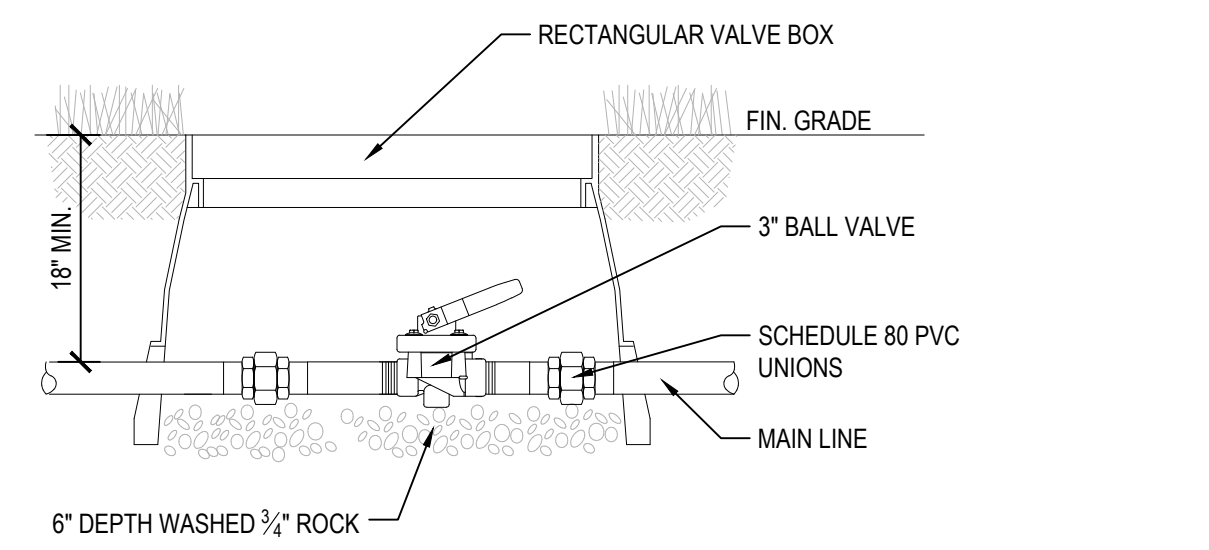
**3**  
**L1.2** **ELECTRIC CONTROL VALVE** NOT TO SCALE



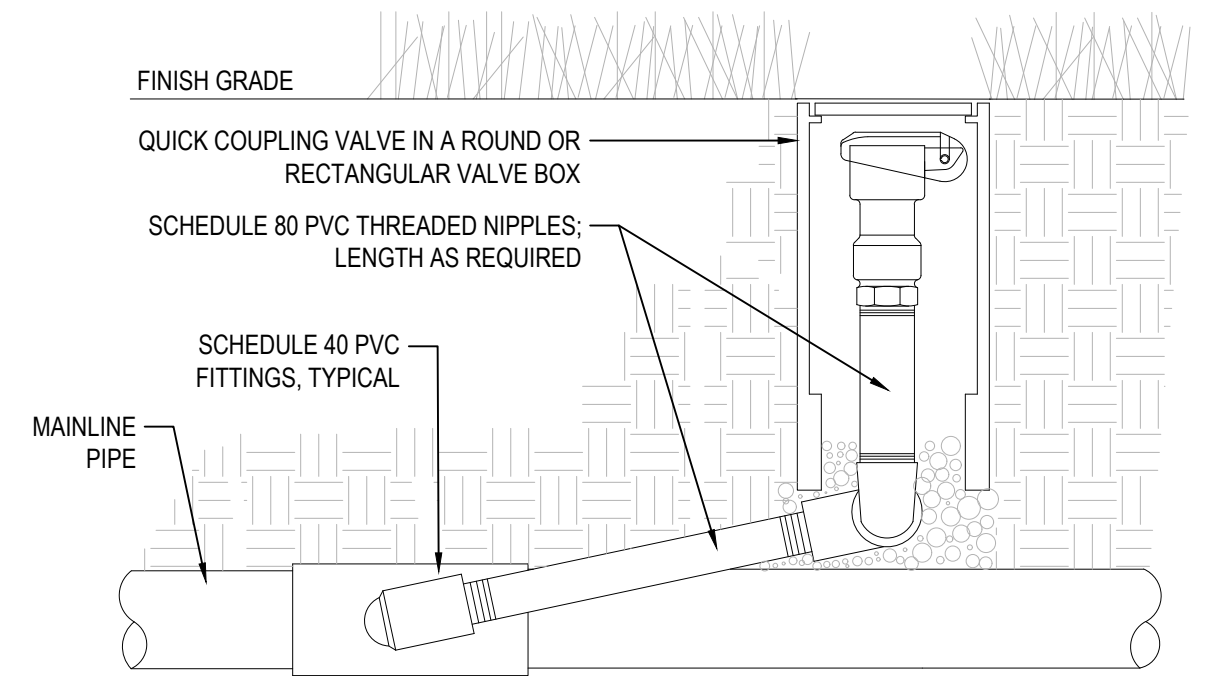
**4**  
**L1.2** **DECODER MODULE** NOT TO SCALE



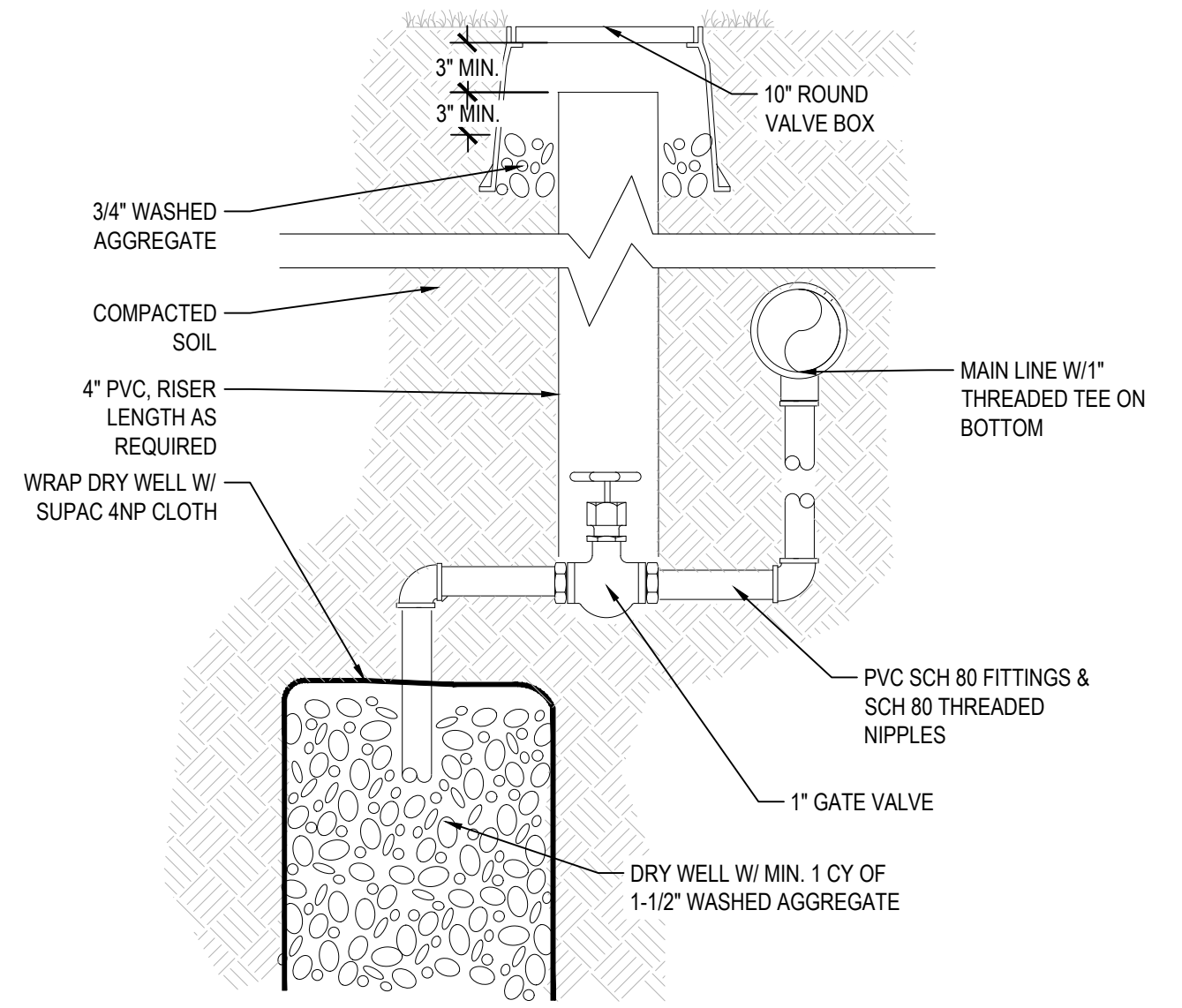
**5**  
**L1.2** **AIR RELEASE VALVE** NOT TO SCALE



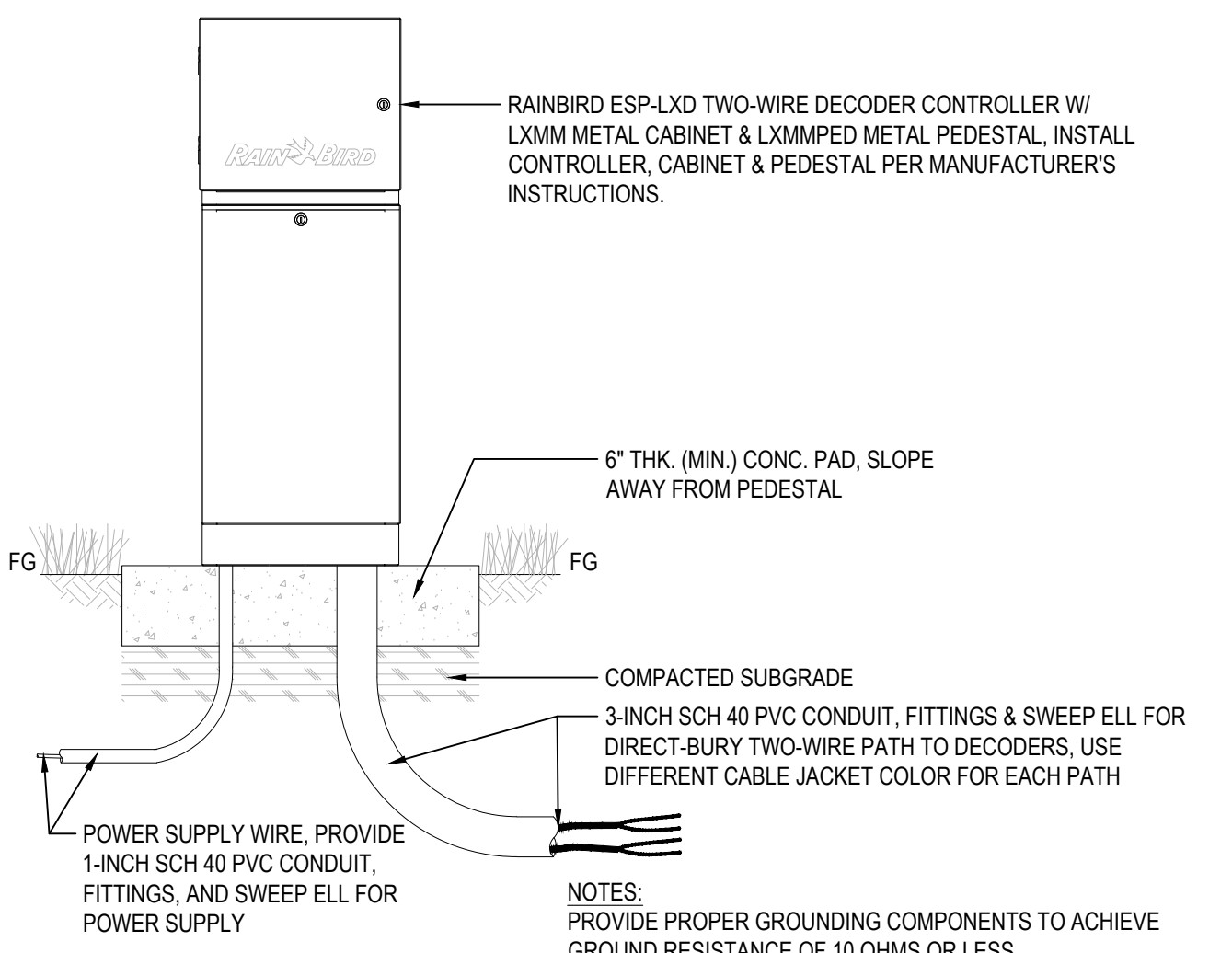
**6**  
**L1.2** **ISOLATION BALL VALVE** NOT TO SCALE



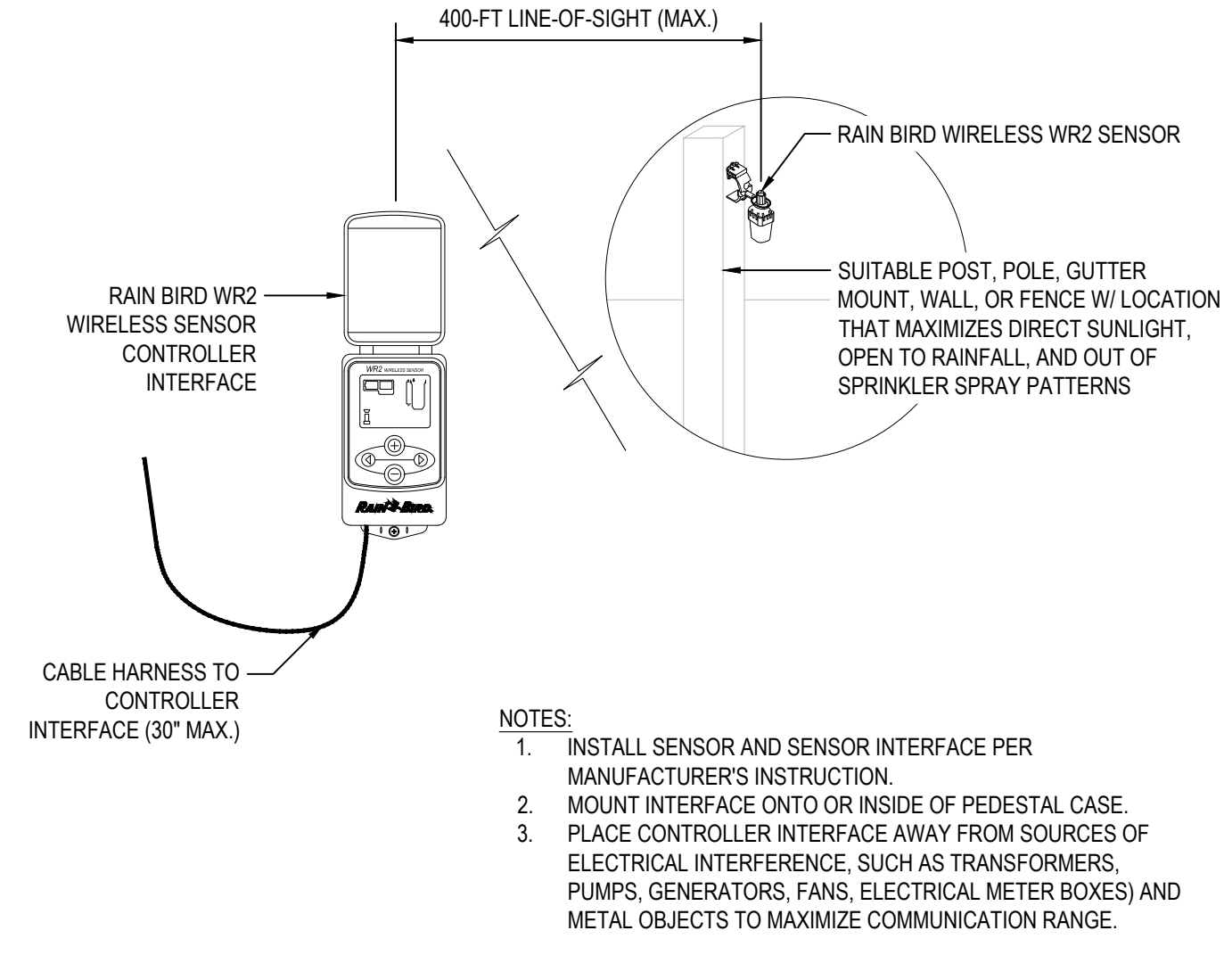
**7**  
**L1.2** **QUICK COUPLER VALVE** NOT TO SCALE



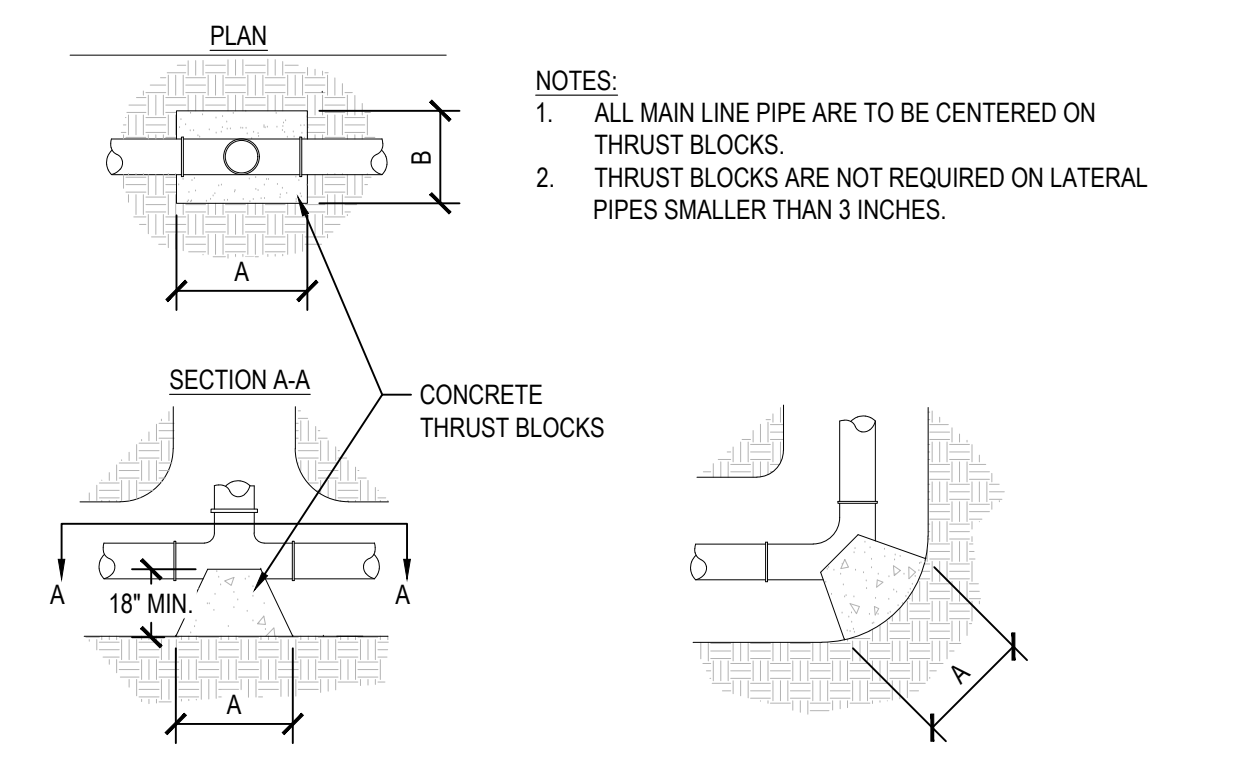
**8**  
**L1.2** **MAINLINE DRAIN** NOT TO SCALE



**9**  
**L1.2** **IRRIGATION CONTROLLER & PEDESTAL** NOT TO SCALE



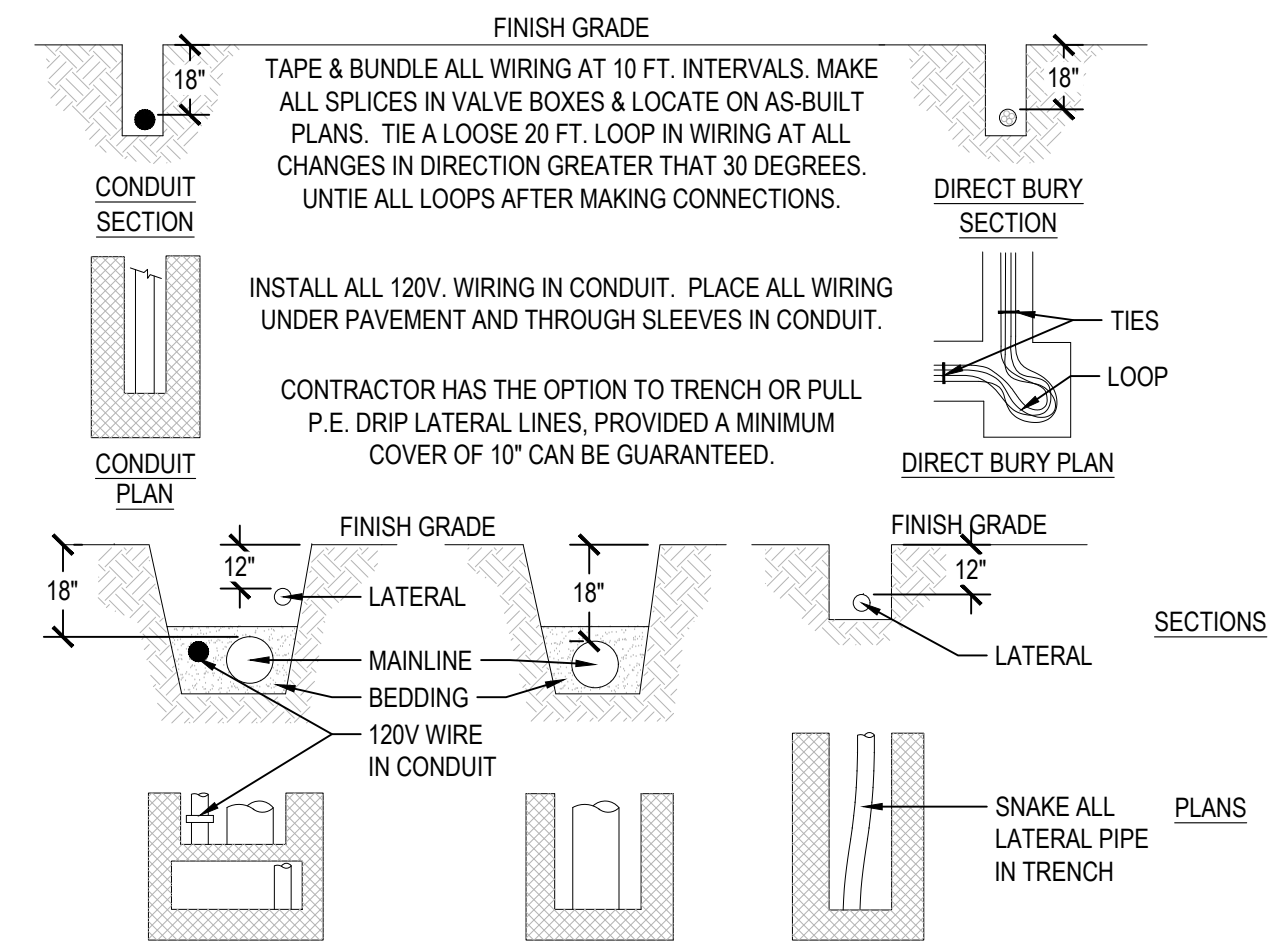
**10**  
**L1.2** **WIRELESS RAIN/FREEZE SENSOR** NOT TO SCALE



NOTES:  
1. ALL MAIN LINE PIPE ARE TO BE CENTERED ON THRUST BLOCKS.  
2. THRUST BLOCKS ARE NOT REQUIRED ON LATERAL PIPES SMALLER THAN 3 INCHES.

| PIPE SIZE | TEES & PLUGS |     | ELBOWS  |     |     |     |     |     |
|-----------|--------------|-----|---------|-----|-----|-----|-----|-----|
|           | A            | B   | 22-1/2° |     | 45° |     | 90° |     |
| 3" - 4"   | 24"          | 12" | 9"      | 12" | 17" | 12" | 21" | 18" |
| 6"        | 33"          | 18" | 12"     | 18" | 24" | 18" | 32" | 24" |
| 8"        | 40"          | 24" | 16"     | 24" | 30" | 24" | 45" | 30" |
| 10"       | 50"          | 30" | 20"     | 30" | 40" | 30" | 61" | 36" |
| 12"       | 61"          | 36" | 18"     | 30" | 56" | 30" | 87" | 36" |

**11**  
**L1.2** **THRUST BLOCK** NOT TO SCALE



**12**  
**L1.2** **TRENCH & BEDDING** NOT TO SCALE

| REV NO | DATE | BY | DESCRIPTION |
|--------|------|----|-------------|
|        |      |    |             |
|        |      |    |             |

VETERANS MEMORIAL PARK IRRIGATION RENOVATION  
CITY OF SIDNEY  
SIDNEY, MONTANA

PROJECT NO: WR24-04-111  
DATE: ###/###/2024

DRAWN BY: GNL  
CHECKED BY: GNL

DESIGNED BY: GNL  
SURVEYED BY: GNL

**IRRIGATION DETAILS**

**PRELIMINARY**

Interstate Engineering  
2177 Lincoln Ave SE  
PO Box 646  
Sidney, MT 59270  
(406) 433-5617  
www.interstateeng.com

**INTERSTATE ENGINEERING**  
Professionals You Need, People You Trust.

**OPINION OF PROBABLE COST**

**Project:** Veterans Park Irrigation Renovation, Sidney, Montana  
**Phase:** Construction Documents  
**Date:** October 11, 2024  
**Prepared By:** Interstate Engineering



| ITEM                               | DESCRIPTION                       | QTY   | UNIT | LOW UNIT    | LOW TOTAL  | HIGH UNIT    | HIGH TOTAL |
|------------------------------------|-----------------------------------|-------|------|-------------|------------|--------------|------------|
| Electrical Service                 |                                   | 1     | LS   | \$ 6,500.00 | \$ 6,500   | \$ 8,450.00  | \$ 8,450   |
| 6" Pop-Up Rotor Heads              | Rain Bird 5000 Series w/CV        | 194   | EA   | \$ 180.00   | \$ 34,920  | \$ 234.00    | \$ 45,396  |
| 6" Pop-Up MP Rotator Head          | Rain Bird 5000 MPR Series w/CV    | 37    | EA   | \$ 190.00   | \$ 7,030   | \$ 247.00    | \$ 9,139   |
| 6" Pop-Up Spray Head               | Rain Bird 1800 Series w/CV & PRS  | 30    |      | \$ 75.00    | \$ 2,250   | \$ 97.50     | \$ 2,925   |
| 2" Electric Control Valve          | Rain Bird 200-PGA                 | 31    | EA   | \$ 1,022.50 | \$ 31,698  | \$ 1,329.25  | \$ 41,207  |
| 1" Quick Coupler Valver            | Rain Bird 44-RC                   | 5     | EA   | \$ 919.50   | \$ 4,598   | \$ 1,195.35  | \$ 5,977   |
| 3" Isolation Valve                 | Matco-Norca                       | 2     | EA   | \$ 2,139.00 | \$ 4,278   | \$ 2,780.70  | \$ 5,561   |
| Irrigation Controller              | Rain Bird ESP-LXD w/LXMM+LXMPED   | 1     | EA   | \$ 6,945.00 | \$ 6,945   | \$ 9,028.50  | \$ 9,029   |
| Rain/Freeze Sensor                 | Rain Bird WR2                     | 1     | EA   | \$ 225.00   | \$ 225     | \$ 292.50    | \$ 293     |
| Air Release Valve                  | Bermad IR-C10-P                   | 1     | EA   | \$ 702.50   | \$ 703     | \$ 913.25    | \$ 913     |
| 1" Mainline Drain                  | Nibco Gate Valve                  | 1     | EA   | \$ 465.00   | \$ 465     | \$ 604.50    | \$ 605     |
| 1" Lateral Pipe                    | Class 200                         | 3,050 | LF   | \$ 2.10     | \$ 6,405   | \$ 2.73      | \$ 8,327   |
| 1-1/2" Lateral Pipe                | Class 200                         | 3,900 | LF   | \$ 4.26     | \$ 16,614  | \$ 5.54      | \$ 21,598  |
| 2" Lateral Pipe                    | Class 200                         | 1,610 | LF   | \$ 6.28     | \$ 10,111  | \$ 8.16      | \$ 13,144  |
| 2-1/2" Lateral Pipe                | Class 200                         | 650   | LF   | \$ 9.58     | \$ 6,227   | \$ 12.45     | \$ 8,095   |
| 3" Mainline Pipe                   | Class 200                         | 825   | LF   | \$ 56.10    | \$ 46,283  | \$ 72.93     | \$ 60,167  |
| 6" Sleeves                         | Schedule 40                       | 50    | LF   | \$ 60.00    | \$ 3,000   | \$ 78.00     | \$ 3,900   |
| 2-Wire Decoder Cable               | 14AWG Single Conductor            | 825   | LF   | \$ 10.00    | \$ 8,250   | \$ 13.00     | \$ 10,725  |
| Miscellaneous Fittings & Equipment | 5% of all items                   | 1     | LS   | \$ 9,499.99 | \$ 9,500   | \$ 12,349.99 | \$ 12,350  |
| <b>SUBTOTAL</b>                    |                                   |       |      |             | \$ 206,000 |              | \$ 267,800 |
|                                    | GENERAL CONDITIONS & MOBILIZATION |       |      | 10%         | \$ 20,600  |              | \$ 26,780  |
|                                    | CONTINGENCY                       |       |      | 15%         | \$ 30,900  |              | \$ 40,170  |
| <b>TOTAL</b>                       |                                   |       |      |             | \$ 257,500 |              | \$ 334,750 |