



# Emergency Management Committee Regular Meeting

*Dripping Springs City Hall*

*511 Mercer Street - Dripping Springs, Texas*

*Thursday, April 16, 2026, at 12:00 PM*

---

## AGENDA

### CALL TO ORDER AND ROLL CALL

#### Committee Members

Geoffrey Tahuahua, Chair  
Scott Collard  
Sirena Cumberland  
Dave Graham  
Mike Jones  
Sandra Barber  
Bob Luddy  
Dillon Polk  
Rich Lucas  
Stephanie Moody

#### Staff, Consultants & Appointed/Elected Officials

Emergency Management Coordinator Roman Baligad  
Deputy City Administrator Shawn Cox  
City Attorney Aniz Alani  
Council Member Wade King

### PLEDGE OF ALLEGIANCE

### REPORTS

- 1. Emergency Management Coordinator Report**  
*Roman Baligad, Emergency Management Coordinator*
  - a. Public Relations
  - b. Finance
  - c. Training
- 2. Emergency Management Commission Chair Report**  
*Geoffrey Tahuahua, EMC Chair*
- 3. Operations Report**
  - a. Constables Office
  - b. Dripping Springs ISD

- c. ESD No. 1
- d. ESD No. 6
- e. Hays County OEM

**UPCOMING MEETINGS**

**Emergency Management Committee Meetings**

- May 21, 2026, at 12:00 p.m.
- June 18, 2026, at 12:00 p.m.
- July 16, 2026, at 12:00 p.m.
- August 20, 2026, at 12:00 p.m.
- September 17, 2026, at 12:00 p.m.

**City Council Meetings**

- April 21, 2026, at 6:00 p.m.
- May 5, 2026, at 6:00 p.m.
- May 19, 2026, at 6:00 p.m.
- June 2, 2026, at 6:00 p.m.
- June 16, 2026, at 6:00 p.m.

**ADJOURN**

*This facility is wheelchair accessible. Accessible parking spaces are available. Request for auxiliary aids and services must be made 48 hours prior to this meeting by calling (512) 858-4725.*



# INSTALERT 24 VARIABLE MESSAGE SIGN

## InstAlert 24 Variable Message Sign

- Open dimensions: 1.63" x 28" x 60"
- Folded dimensions: 3.25" x 28" x 30"
- Folded sign fits in vehicle trunk, SUV hatch
- Full matrix display: 26 x 96 pixels, 0.6"x 1" pitch
- LED pixels: Amber 590nm, 30-degree viewing angle, 100,000 hrs, black background, universal display modules
- MUTCD compliant
- On-board message selector buttons for quick selection of 25 internal messages and modes with anti-tamper lockout
- Local and remote management and monitoring options
- Integral active cell modem allowing TrafficCloud Web-Based Management Services for remote management
- Integral camera for awareness and alert-driven images
  - o 640 x 480 daylight images
- Power saving circuitry and automatic dimming for ambient light conditions with adjustable dimming range and manual display brightness override
- Conformal coating on all circuit boards
- Integral case handles and nylon web handles
- Weight: 43 pounds
- Weatherproof, inherently sealed design
- 1/8" tinted, non-glare, UV stabilized polycarbonate face
- Entire face is removable for service
- Aluminum chassis, 12 ga., with black powder coat finish
- Mounting provisions for permanent applications, (12) 1/4-20 threaded holes
- -40 to 160°F operating temperature range, 95% humidity, non-condensing (-20°F for Bluetooth communication)
- Withstands up to 70-mph winds



**INSTALERT 24 ON HITCH MOUNT**



**INSTALERT 24 ON POLE**



INSTALERT 24 ON PORTABLE POST



INSTALERT 24 ON ATS 5 TRAILER

## InstAlert Operation Modes

- **Message Mode:** Display one message, up to six screens
- **All Messages:** Sequence all messages in sign memory
- **Schedule:** Change message and/or mode up to 13 times/day
- Speed based modes available in the
- SpeedAlert 24 configuration
- Sign returns to last configuration when power applied

## InstAlert Messages

- **1-3 line messages**
  - 1 line: 24" H x 12.5" W characters, 4/line
  - 2 lines: 10.25" H x 5.75" W characters, 8/line
  - 3 lines: 7" H x 4" W characters, 12 per line
  - 2 lines: (1) 7" char, 12/line, (1) 10.25" char, 8/line
- Up to six screens per message
- Message power efficiency calculator in software
- Variable display time, flash and reverse rates
- for each screen
- Full graphics capability, each LED is individually controllable, programmable from PC, PDA or remotely
- Ability to link multiple messages for up to
- 144 screen animation
- Scroll through 25 user defined on-board messages using selector buttons built into sign, no training necessary; buttons on unit become inactive after timeout to prevent tampering, reactivate by reapplying power
- Unlimited message storage on PC, Android device or remote server
- Messages on sign are not erased when power is removed
- Sign returns to last message when power applied
- Actual sign preview on PC, Android or TrafficCloud

## InstAlert Programming

### Program and monitor the sign three ways: On-Board Programming (standard on all units)

- Select message from sign's memory
- Select operation mode

## TraffiCloud® Web-Based Management Services

### Using integral cell modem for remote management

(See *TraffiCloud specification for more information*):

- Turnkey system with remote sign connection functional out of the box. Unit connects to TraffiCloud system when sign is powered
- Fully hosted web-based management system
  - Internet-connected computer with browser provides anywhere access on all browser-capable, connected devices.
  - No IT involvement or support necessary. System bypasses customer network eliminating access issues
  - Cellular service provided by ATS, no separate cellular charges
  - Hosted database requires no setup or maintenance by customer
- **Apps:** All apps included in Message Suite:
  - Equipment Management: Change messages and settings remotely, monitor sign online
  - Image Management: Online image retrieval and management of images from internal camera
- **Alerts:** Email/SMS notifications for low battery and tampering, alerts can include images
- **Mapping:** Visually manage equipment and data
- Premier Care Perpetual Warranty

## ATS PC Sign Manager

### Local Management using PC with USB connection standard on all signs

- PC-based client software
- Connect to sign via USB or Bluetooth (optional) ATS

### **Android App:** Local management (optional):

- Android OS wireless Bluetooth control local to unit
- Android device can be phone or WiFi device with Bluetooth

### **Local Management Features:**

- Create and change messages, modes and settings
- Local image retrieval and management from internal camera
- Manage all unit settings, automatic sync with TraffiCloud Web Based Management
- All traffic data and messages can be saved for online management and backup with optional TraffiCloud Message Suite
  - Create message and save to TraffiCloud library, messages available on all ATS Android App or PC Sign Manager devices
- Sign firmware field and remotely upgradeable

### **InstAlert Settings**

- Configure the following parameters via PC, Android or TraffiCloud Web-Based Management System:
  - Load message using "Display Now" feature
  - Load 24 messages into sign's memory
  - Scroll messages in sign's memory
  - Display signs from server or local device memory
  - Set sign mode
  - Upload schedule
  - Set automatic dimming range minimum and maximum levels or manually override display brightness
- Internal real time clock, time maintained with power disconnected
- Set time via local device or sync with cell signal

## Scheduling

- All days, multiple messages: schedule up to
- 50 different messages or modes for up to 13 different time periods in a 24-hour day, repeats in each 24-hour cycle
- 7 day, multiple messages: schedule different messages or modes for up to 13 different time periods in each 24-hour day for each of 7 days, repeats in each 7 day cycle; up to 50 different messages can be used over the 7-day period
- All messages and scheduling reside on the sign – no external hardware necessary
- Program schedule via TrafficCloud Web, ATS Android app or ATS PC Sign Manager. Save to load onto multiple signs
- Camera activation controlled in schedule windows
- Internal real time clock, time and schedule maintained with power disconnected

## Data Logging Option for InstAlert units with the optional internal radar option – SpeedAlert 24

- Upgrade to the SpeedAlert 24, adding traffic radar to the InstAlert to enable collection of traffic data and speed display functionality
- See SpeedAlert 24 Specification Sheet

## InstAlert Sign Power

- Power Input, Max:
- 12VDC, 8A max, 96 W max; 4A, 48W typical

- Power saving circuitry and automatic dimming for ambient light conditions with adjustable dimming range and manual display brightness override

## SpeedAlert 24 Power:

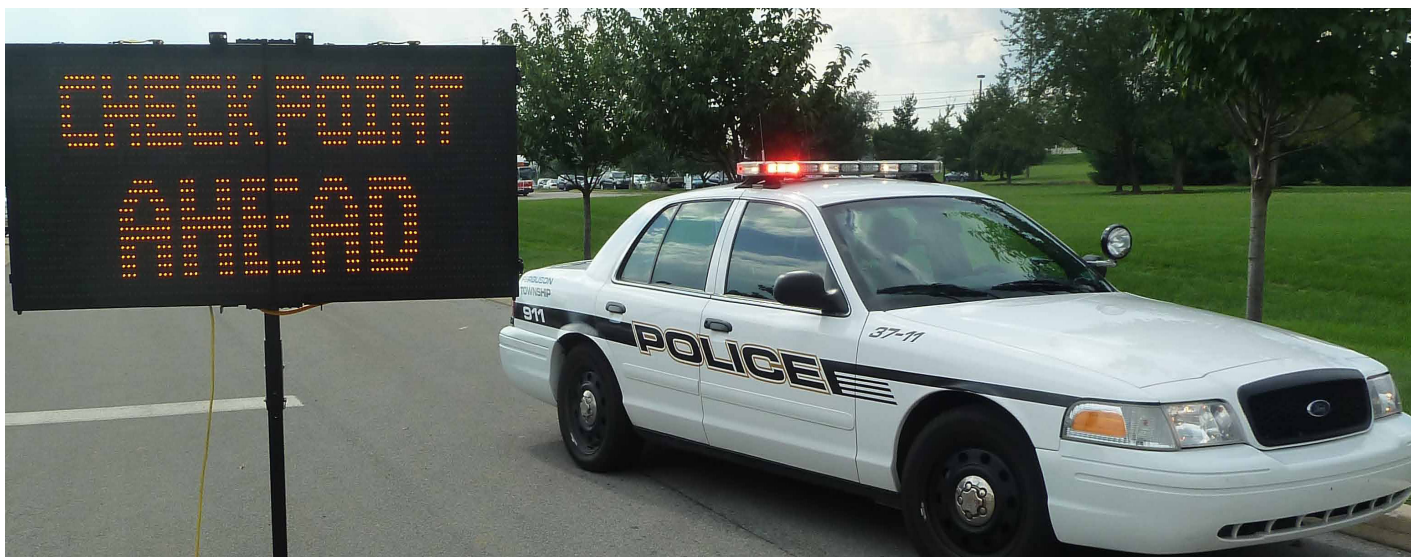
- 12VDC locking plug, 30A capacity: Compatible power supplies include:
  - Vehicles' power port, with optional adapter
  - Trailer wiring adapter for hitch mount
  - POWERcase portable power supply, PC26 or PC36
  - 120 or 220 VAC Power supply in NEMA 4 enclosure
  - ATS 5 Trailer (batteries with optional solar assist: 235 or 470 Ah, 60W solar option)
  - Pole battery box: 156Ah battery with solar assist
- Battery level indicator on sign, ATS Android app, ATS PC Sign Manager or TrafficCloud Remote Management
- Auto recovery for battery with solar
- Power cable customer replaceable, gold-plated connector contacts, high visibility yellow cable

## Standard InstAlert System Components

- InstAlert Variable Message Sign
- ATS PC Sign Manager software with USB cable
- On-Board Controls

## InstAlert Mounting Options

- ATS 5 Trailer (refer to ATS 5 Specification Sheet for more info)



INSTALERT 24 ON PORTABLE POST

- Options using the InstAlert mounting bracket
- Hitch mount
  - Sign height: 25" to bottom, 53" to top of sign from receiver tube (final height dependent on receiver height, flip mounting bracket for an additional 12")
  - Fits 1.25" or 2" receiver, adapter included
  - ½" hitch pin
  - Locking rotation adjustment on 15-degree increments over 180 degrees,
  - +/- 5-degree tilt to adjust LED aim for maximum brightness
  - White powder coat finish with rear reflector
  - Not intended for operation above 15 mph
- **Telescoping Hitch Mount**
  - All features of standard hitch mount, plus
  - Sign height: 53" to bottom, 81" to top of sign from receiver tube (final height dependent on receiver height, flip mounting bracket for an additional 12")
- **Standard Folding Portable Post:**
  - Folds for easy storage and portability
  - 42" to 55" to bottom, 70" to 83" to top of sign depending on leg positions, rotate bracket for additional 12"

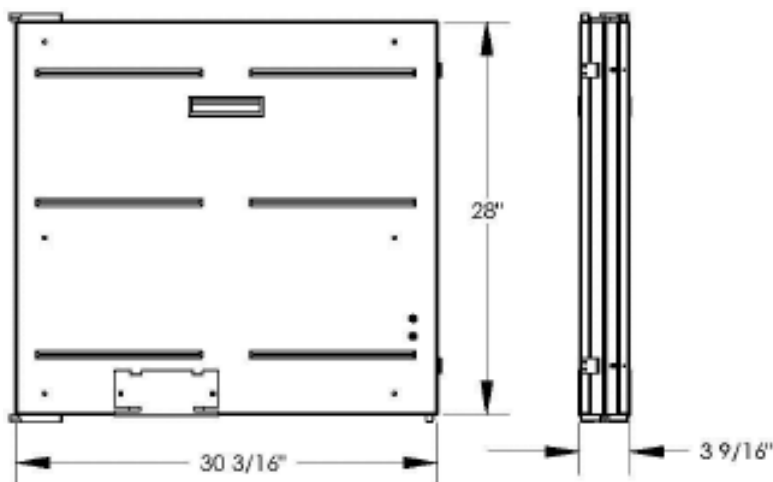
#### Optional InstAlert Sign Components and Features

- TrafficCloud Web-Based Remote Management Service

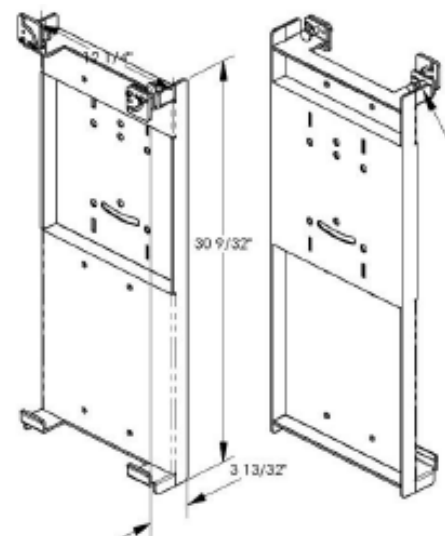
- ATS Android App, Bluetooth connectivity
- Padded carrying case with accessory pockets, shoulder strap
- **Mounting bracket**
  - Mounts to pole or any surface using any hardware, no tools required
  - Tamper-resistant hardware compartment
  - Rotate bracket for additional 12" of mounting height
  - Aluminum with black powder coat
  - Sign can be locked into bracket
  - Bolt sign to mounting bracket for additional security
  - Mounting hardware supplied
- Internal radar allowing for speed display, speed dependent messaging and speed and volume data collection – SpeedAlert 24 radar message sign
- Drive Times sensor-free Time to Destination Service
  - Travel time data sent to sign every minute

#### Warranty

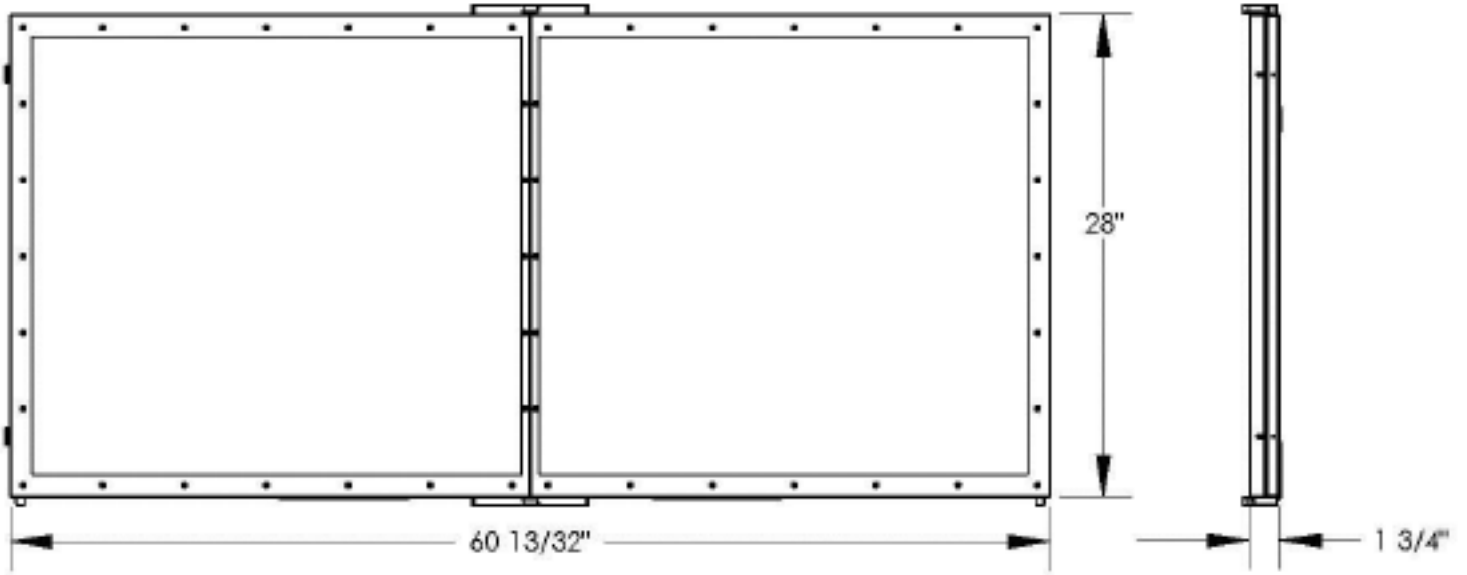
- PremierCare Perpetual Warranty available with current TrafficCloud subscription. Includes hardware defect repairs for the entire lifespan of your ATS products and discounts on accessories and other repairs
- ATS 3-year Manufacturer's Warranty comes standard on all InstAlert variable message signs



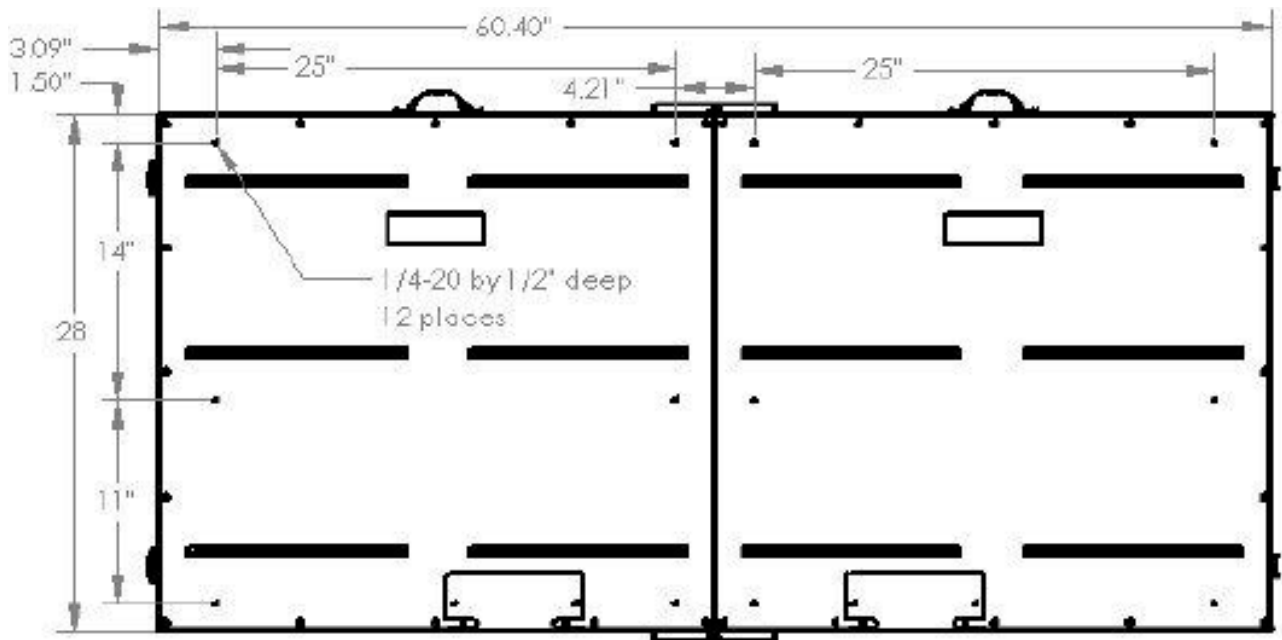
**INSTALERT DIMENSIONS: FOLDED**



**DIMENSIONS: MOUNTING PLATE**



**INSTALERT 24 DIMENSIONS: OPEN**



**MOUNTING HOLE POSITIONS**

For more information visit us online

 [sales@alltrafficsolutions.com](mailto:sales@alltrafficsolutions.com)  Call ATS on 866.366.6602

All Traffic Solutions, 14201 Sullyfield Circle, Suite 300, Chantilly, VA 20151

©All Traffic Solutions TraffCloud leverages our patented technology (US Patents 8417442; 8755990; 9070287; 9411893) to deliver unique cloud-based management, features and functionality. TraffCloud is a registered trademark of All Traffic Solutions.

**ALL TRAFFIC**  
SOLUTIONS





All Traffic Solutions, LLC  
 5100 W Brown Deer Rd  
 Brown Deer, WI 53223  
 Phone: 814-237-9005  
 Fax: 814-237-9006  
 DUNS #: 02-344-3864  
 Tax ID: 39-0983658  
 CAGE Code: 0GWV8

**QUOTE Q-107014**

Item 1.

**DATE:** 03/11/2026

**PAGE NO:** 1

**Mail Purchase**

**Orders to:**

5100 W Brown Deer Rd  
 Brown Deer, WI 53223

Contract:  
**TX-BuyBoard 703-23**

**Questions contact:  
 MANUFACTURER:  
 All Traffic Solutions**

Chris Smith  
 x  
 csmith@alltrafficsolutions.com

**Independent Sales Rep:**

**BILL TO:**

City of Dripping Springs (TX)  
 28465 Ranch Road 12  
 Dripping Springs, TX 78620-3795

**SHIP TO:**

City of Dripping Springs (TX)  
 ,  
 Attn: Roman Baligad

Billing Contact:

**PAYMENT TERMS:**  
 Net 30

**CUSTOMER:** City of Dripping Springs (TX)

**CONTACT:**(737) 701-9384

ITEM NO:	DESCRIPTION:	QTY:	EACH:	EXT. PRICE:
4000750	App, Mobile User Interface perpetual license (only 1 required per account—Bluetooth required, enabled separately)	1	\$100.00	\$100.00
4000468	instALERT 24 Message Display; base unit (select mount separately)	2	\$7,436.82	\$14,873.64
4001299	3 Year Warranty	2	\$0.00	\$0.00
4001626	VZW communications prep	2	\$0.00	\$0.00
4000631	Bluetooth: allows wireless control from supported Bluetooth enabled devices (purchased separately)	2	\$420.24	\$840.48
4001717	PowerCase PC36, 36Ah power supply, 12VDC output, 120VAC input	2	\$573.24	\$1,146.48
4100120	hrns, Power cord, iA w/ 30 amp plug for post, hitch	2	\$210.12	\$420.24
4001681	Portable Post for IA/SA 24 and Mounting Bracket	2	\$891.48	\$1,782.96
4900032	Carrying Case; iA24 softcase with storage pockets	2	\$286.62	\$573.24
4000754	USB cable, 16ft, extra long for trailer or pole	2	\$37.74	\$75.48
4000641	Shipping and Handling Common Carrier	1	\$300.00	\$300.00
4001192	Discount - Promotion	1	(\$2,113.00)	(\$2,113.00)

Special Notes:

**SALES  
AMOUNT:**

\$17,999.52

Item 1.

**TOTAL  
USD:**

\$17,999.52

Duration: This quote is good for 60 days from date of issue.

Shipping Notes: All shipments shall be FOB shipper. Shipping charges shall be additional unless listed on quote.

Taxes: Taxes are not included in quote. Please provide a tax-exempt certificate or sales tax will be applied.

Warranty: Unless otherwise indicated, all products have a one year warranty from date of sale. Warranty extensions are a component of some applications that are available at time of purchase. A Finance Charge of 1.5% per month will be applied to overdue balances. GSA GS-07F-6092R

I am authorized to commit my organization to this order. If your organization will be creating a purchase order for this order, please submit purchase order to either of the following: Email: sales@alltrafficsolutions.com or Physical Address: Listed at top of quote.

Signature: \_\_\_\_\_ Date: \_\_\_\_\_

Print Name: \_\_\_\_\_ Title: \_\_\_\_\_



All Traffic Solutions, LLC  
 5100 W Brown Deer Rd  
 Brown Deer, WI 53223  
 Phone: 814-237-9005  
 Fax: 814-237-9006  
 DUNS #: 02-344-3864  
 Tax ID: 39-0983658  
 CAGE Code: 0GWV8

**QUOTE Q-107015**

Item 1.

**DATE:** 03/11/2026

**PAGE NO:** 1

**Mail Purchase**

**Orders to:**

5100 W Brown Deer Rd  
 Brown Deer, WI 53223

Contract:  
**TX-BuyBoard 703-23**

**Questions contact:  
 MANUFACTURER:  
 All Traffic Solutions**

Chris Smith  
 x  
 csmith@alltrafficsolutions.com

**Independent Sales Rep:**

**BILL TO:**

City of Dripping Springs (TX)  
 28465 Ranch Road 12  
 Dripping Springs, TX 78620-3795

**SHIP TO:**

City of Dripping Springs (TX)  
 ,  
 Attn: Roman Baligad

Billing Contact:

**PAYMENT TERMS:**  
 Net 30

**CUSTOMER:** City of Dripping Springs (TX)

**CONTACT:**(737) 701-9384

ITEM NO:	DESCRIPTION:	QTY:	EACH:	EXT. PRICE:
4000750	App, Mobile User Interface perpetual license (only 1 required per account—Bluetooth required, enabled separately)	1	\$100.00	\$100.00
4000468	instALERT 24 Message Display; base unit (select mount separately)	2	\$7,436.82	\$14,873.64
4001299	3 Year Warranty	2	\$0.00	\$0.00
4001887	All Options Activation: Bluetooth, Logs, and Pictures (\$2500 Value, requires Message Suite)	2	\$0.00	\$0.00
4000771	App, Messaging Suite (12mo); Equip Mgmt, Image Mgmt, Alerts, Mapping and PremierCare	2	\$950.00	\$1,900.00
4001626	VZW communications prep	2	\$0.00	\$0.00
4001622	ATS-5 Trailer for IA/SA24 includes: 470Ah Batteries & Trailer Certificate of Origin	2	\$5,733.24	\$11,466.48
4000977	Solar panel, 100W: includes bracket for ATS-5 trailer and harness	2	\$1,125.00	\$2,250.00
4000641	Shipping and Handling Common Carrier	1	\$3,000.00	\$3,000.00
4001192	Discount - Promotion	1	(\$3,591.00)	(\$3,591.00)

Special Notes:

**SALES AMOUNT:** \$29,999.12

**TOTAL USD:** \$29,999.12

Duration: This quote is good for 60 days from date of issue.

Shipping Notes: All shipments shall be FOB shipper. Shipping charges shall be additional unless listed on quote.

Taxes: Taxes are not included in quote. Please provide a tax-exempt certificate or sales tax will be applied.

Warranty: Unless otherwise indicated, all products have a one year warranty from date of sale. Warranty extensions are a component of some applications that are available at time of purchase. A Finance Charge of 1.5% per month will be applied to overdue balances. GSA GS-07F-6092R

I am authorized to commit my organization to this order. If your organization will be creating a purchase order for this order, please submit purchase order to either of the following: Email: sales@alltrafficsolutions.com or Physical Address: Listed at top of quote.

Signature: \_\_\_\_\_ Date: \_\_\_\_\_

Print Name: \_\_\_\_\_ Title: \_\_\_\_\_