

**Bastrop, TX City Council Meeting Agenda**  
Bastrop City Hall City Council Chambers  
1311 Chestnut Street  
Bastrop, TX 78602  
(512) 332-8800



---

**June 26, 2026**

**Special City Council Meeting at 5:00 PM**

---

*City of Bastrop City Council meetings are available to all persons regardless of disability. If you require special assistance, please contact the City Secretary at (512) 332-8800 or write 1311 Chestnut Street, 78602, or by calling through a T.D.D. (Telecommunication Device for the Deaf) to Relay Texas at 1-800-735-2989 at least 48 hours in advance of the meeting.*

---

The City of Bastrop reserves the right to reconvene, recess, or realign the Regular Session or called Executive Session or order of business at any time prior to adjournment.

**PLEASE NOTE: ANYONE IN ATTENDANCE WISHING TO ADDRESS THE COUNCIL MUST COMPLETE A CITIZEN COMMENT FORM AND GIVE THE COMPLETED FORM TO THE CITY SECRETARY PRIOR TO THE START OF THE CITY COUNCIL MEETING. ALTERNATELY, IF YOU ARE UNABLE TO ATTEND THE COUNCIL MEETING, YOU MAY COMPLETE A CITIZEN COMMENT FORM WITH YOUR COMMENTS AT CITYOFBASTROP.ORG/CITIZENCOMMENT AT LEAST TWO HOURS BEFORE THE MEETING STARTS ON THE REQUESTED DATE. COMMENTS SUBMITTED BY THIS TIME WILL BE GIVEN TO THE CITY COUNCIL DURING THE MEETING AND INCLUDED IN THE PUBLIC RECORD, BUT NOT READ ALOUD. COMMENTS FROM EACH INDIVIDUAL IN ATTENDANCE WILL BE LIMITED TO THREE (3) MINUTES.**

- 1. CALL TO ORDER**
- 2. PLEDGE OF ALLEGIANCE**

*TEXAS PLEDGE OF ALLEGIANCE - Honor the Texas Flag; I pledge allegiance to thee, Texas, one state under God, one and indivisible.*

- 3. INVOCATION**
- 4. CITIZEN COMMENTS**

*At this time, three (3) minute comments will be taken from the audience on any topic. Anyone in attendance wishing to address the Board/Commission must complete a citizen comment form and give the completed form to the Board/Commission Secretary prior to the start of the Board/Commission meeting. In accordance with the Texas Open Meetings Act, if a citizen discusses any item not on the agenda, the Board/Commission cannot*

*discuss issues raised or make any decision at this time. Instead, the Board/Commission is limited to making a statement of specific factual information or a recitation of existing policy in response to the inquiry. Issues may be referred to the City Manager for research and possible future action. Profanity, physical or other threats are not allowed and may subject the speaker to loss of the time for comment, and if disruptive to the conduct of business, could result in removal of the speaker.*

## 5. ITEMS FOR INDIVIDUAL CONSIDERATION

- 5A. Consider and act on Resolution No. R-2026-97, authorizing the City Manager to approve Change Order #5 to the Construction Contract with Jay-Reese Contractors, Inc. for the construction of Old Iron Bridge Rehabilitation.

Submitted by: Elizabeth Wick, CFM, Project Manager

## 6. ADJOURNMENT

***All items on the agenda are eligible for discussion and action unless specifically stated otherwise.***

***The Bastrop City Council reserves the right to adjourn into executive session at any time during the course of this meeting to discuss any of the matters listed above, as authorized by Texas Government Code Sections 551.071 (Consultation with Attorney), 551.072 (Deliberations about Real Property), 551.073 (Deliberations about Gifts and Donations), 551.074 (Personnel Matters), 551.076 (Deliberations about Security Devices), and 551.087 (Economic Development), and §551.086 (Competitive Matters regarding Electric Utility).***

I, the undersigned authority, do hereby certify that this Notice of Meeting as posted in accordance with the regulations of the Texas Open Meetings Act on the bulletin board located at the entrance to the City of Bastrop City Hall, a place of convenient and readily accessible to the general public, as well as to the City's website, [www.cityofbastrop.org](http://www.cityofbastrop.org) and said Notice was posted on the following date and time: June 22, 2026 at 4:00 p.m. and remained posted for at least two hours after said meeting was convened.

/s/ Michael Muscarello  
Michael Muscarello, TRMC, CMC, CPM  
City Secretary



# STAFF REPORT

**MEETING DATE:** June 26, 2026

**TITLE:**

Consider and act on Resolution No. R-2026-97, authorizing the City Manager to approve Change Order #5 to the Construction Contract with Jay-Reese Contractors, Inc. for the construction of Old Iron Bridge Rehabilitation.

**AGENDA ITEM SUBMITTED BY:**

Submitted by: Elizabeth Wick, CFM, Project Manager

**BACKGROUND/HISTORY:**

On April 29, 2025, City Council passed Resolution No. R-2025-82 entering into a construction contract with Jay-Reese Contractors, Inc. for the construction of the Old Iron Bridge Rehabilitation project.

On April 10, 2026, City Manager authorized Amendment #3 to the original Professional Services Agreement with Huitt-Zollars for the design and construction phase services for the addition of RGB lighting to the existing three trusses as part of the Old Iron Bridge Rehabilitation to light up the bridge for different events and holidays.

Change Order #5 provides for the addition of RGB lighting to the existing three trusses. Huitt-Zollars developed the design for the RGB lighting, and the contractor subsequently provided cost estimates for the work. The proposed lighting is compliant with City of Bastrop's Dark Sky regulations.

**FISCAL IMPACT:**

Funds will be drawn from the approved project contingency:

Contingency	\$2,028,435.75
Previously Approved Change Orders	\$755,974.98
Change Order #5	\$300,000.00
<b>New Contingency Total</b>	<b>\$972,460.77</b>

**RECOMMENDATION:**

Authorize the approval of Change Order #5 to the Construction Contract with Jay-Reese Contractors, Inc.

**ATTACHMENTS:**

1. Resolution No. R-2026-97
2. Request For Change #05
3. RGB Lighting Plans

**RESOLUTION NO. R-2026-97**

**A RESOLUTION OF THE CITY COUNCIL OF THE CITY OF BASTROP, TEXAS APPROVING CHANGE ORDER #5 TO THE CONSTRUCTION CONTRACT WITH JAY-REESE CONTRACTORS, INC. FOR THE CONSTRUCTION OF OLD IRON BRIDGE REHABILITATION PROJECT FOR A NOT TO EXCEED AMOUNT OF THREE HUNDRED THOUSAND DOLLARS AND ZERO CENTS (\$300,000.00); AUTHORIZING THE CITY MANAGER TO EXECUTE ALL NECESSARY DOCUMENTS; PROVIDING FOR A REPEALING CLAUSE; AND ESTABLISHING AN EFFECTIVE DATE.**

**WHEREAS**, the City of Bastrop approved Resolution No. R-2025-82 entering into a construction contract with Jay-Reese Contractors, Inc. on April 29, 2025, for the construction of Old Iron Bridge Rehabilitation project; and

**WHEREAS**, the City Manager authorized Amendment No. 3 to the Professional Services Agreement with Huitt-Zollars for design and construction phase services associated with the addition of RGB lighting to the existing three trusses as part of the Old Iron Bridge Rehabilitation project; and

**WHEREAS**, the proposed RGB lighting system is intended to enhance the appearance of the Old Iron Bridge and provide the ability to illuminate the bridge in various colors to commemorate community events, holidays, and other special occasions; and

**WHEREAS**, Jay-Reese Contractors, Inc. has submitted a cost proposal for the associated construction of the proposed improvements; and

**WHEREAS**, Change Order #5 provides for the addition of RGB lighting to the existing three trusses as part of the Old Iron Bridge Rehabilitation project; and

**WHEREAS**, the City of Bastrop City Council finds that the proposed change order is an appropriate use of project contingency funds, and that sufficient contingency remains available for future project needs.

**NOW, THEREFORE, BE IT RESOLVED BY THE CITY COUNCIL OF THE CITY OF BASTROP, TEXAS:**

**Section 1.** The City Manager is hereby authorized to execute Change Order #5 with Jay-Reese Contractors, Inc. in the amount of Three Hundred Thousand Dollars and Zero Cents (\$300,000.00) as part of the Old Iron Bridge Rehabilitation Project.

**Section 2.** This resolution shall take effect immediately from and after its passage, and it is duly resolved.

**DULY RESOLVED AND ADOPTED** by the City Council of the City of Bastrop this 26<sup>th</sup> day of June 2026.

**APPROVED:**

\_\_\_\_\_  
Ishmael Harris, Mayor

**ATTEST:**

\_\_\_\_\_  
Michael Muscarello, City Secretary

**APPROVED AS TO FORM:**

\_\_\_\_\_  
City Attorney



Phone: (512) 829-5360

Fax: (512) 829-5366

PROJECT OWNER: City of Bastrop  
PROJECT NAME: Old Iron Bridge Rehabilitation

CONTRACT #: CIP-FY24-TR-0001  
CIP #:

Request For Change #05

DATE: 06/18/26

Description of Proposed Change:

1.) RGB Light Addition \$300,000.00

Please see attached breakdown.

days

0

Amount For This Change:

\$300,000.00

Calendar Days Requested To Be Added To Contract Time:

37

\*Approval by 6.23.26

ACCEPTED FOR CITY OF BASTROP BY:

ACCEPTED FOR JAY-REESE CONTRACTORS, INC. BY:

Signature

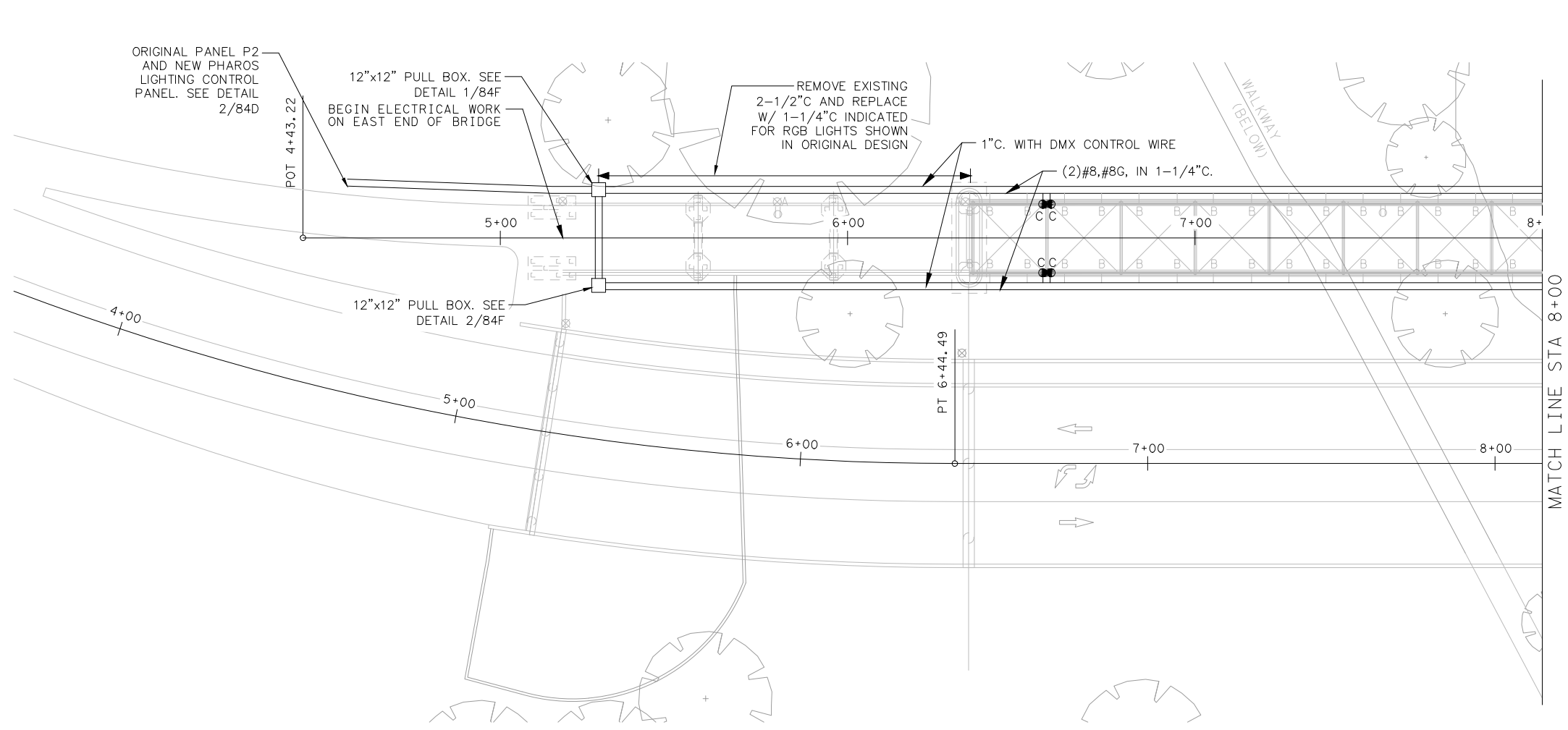
Date

Signature:

Ron Albee

Date

#1 RGB Light Addition							Item 5A.
Description of Items:	Est. Quant	Unit Price	M-Hour	Labor/Equip	Mats / Addtl	Cost Change	
039A	1 1/4" Conduit As shown in the plan - Complete in place	1600 LF	\$37.50			\$60,000.00	
039B	1" Conduit As shown in the plan - Complete in place	1600 LF	\$35.00			\$56,000.00	
041	#8 Wire Complete in place	3600 LF	\$3.00			\$10,800.00	
044A	#12 Wire, Complete in place	1500 LF	\$3.25			\$4,875.00	
044B	DMX Cable, Complete in place	1800 LF	\$12.50			\$22,500.00	
045A	12"X12" Pullbox, Complete in place	2.0 EA	\$1,500.00			\$3,000.00	\$300,000.00
045B	8"x8" Junction Box, Complete in place	12.0 EA	\$1,000.00			\$12,000.00	
047A	Lighting Control Panel, Complete in Place	1.0 EA	\$10,000.00			\$10,000.00	
048A	RGB Lights, Complete in Place	24.0 EA	\$5,000.00			\$120,000.00	
048B	Modify Rack W/ Panel	1.0 EA	\$825.00			\$825.00	
						<b>Subtotal</b>	\$300,000.00
						<b>25% JR O&amp;P</b>	\$0.00
						<b>TOTAL</b>	\$300,000.00



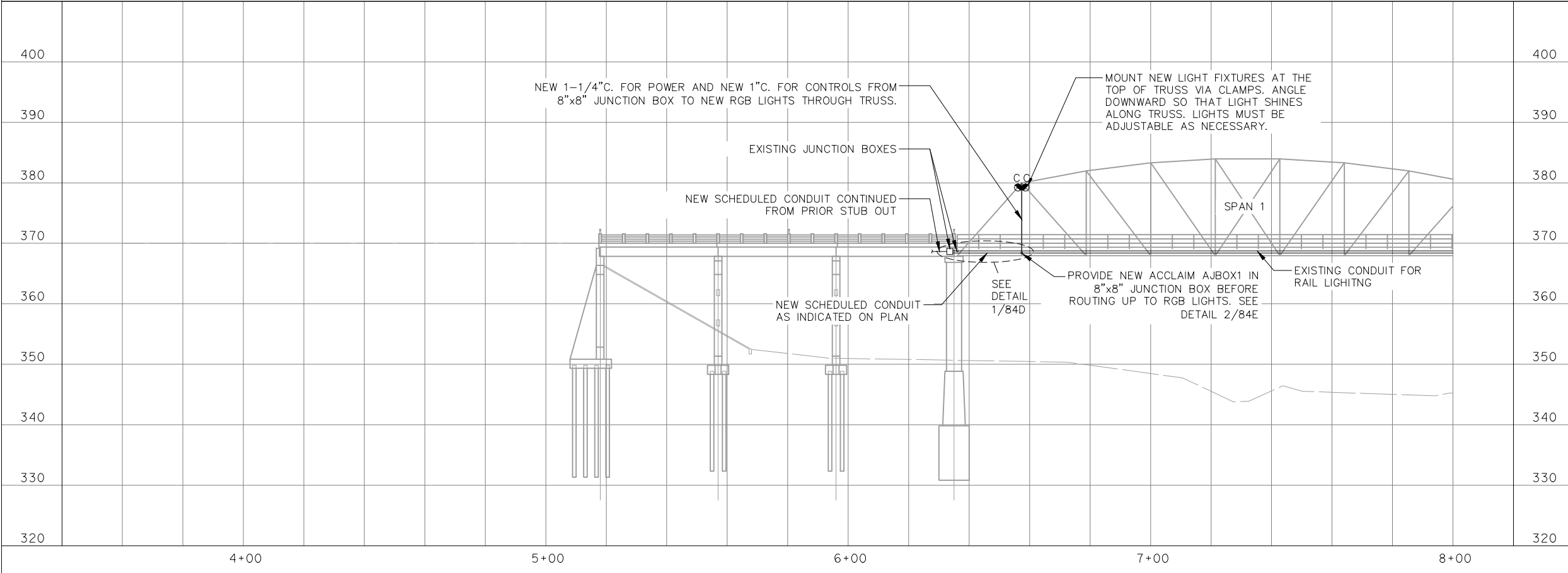
PLAN

0 20  
SCALE: 1" = 40'  
Item 5A.

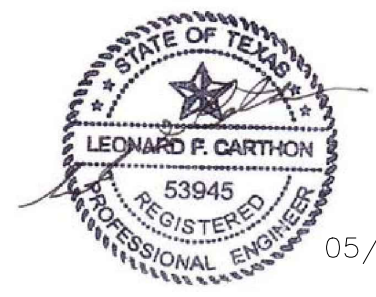
- LEGEND
- ⊗ LIGHT POLE AND FIXTURE
  - ⊕ RECEPTACLE
  - RAIL LIGHTING
  - NEW WIRE AND CONDUIT
  - NEW RGB LIGHTING. CATALOG NUMBER DE3CY2-DE3EQ-DE30D-DE3PS
  - P2-XX PANEL P2 CIRCUIT NUMBER WHERE "XX" DENOTES THE CIRCUIT NUMBER.

GENERAL NOTES:

1. CONDUIT TO BE MOUNTED TO SIDE OF BRIDGE. CONTRACTOR SHALL ATTACH CONDUIT TO STRUCTURE IN LOCATIONS REQUIRED TO PROVIDE SUPPORT. NO SCREWS, DRILLING, OR WELDING ON TO STRUCTURE IS ALLOWED. CUSTOM CONDUIT ATTACHMENT TO BE PROVIDED BY CONTRACTOR.
2. ALL LIGHTING ON BRIDGE TO BE MOUNTED USING A UL-LISTED CLAMP STYLE. NO SCREWS OR DRILLING INTO STRUCTURE IS ALLOWED



2	100% CD	05/15/26
1	60% CD	04/29/26
NO.	REVISION	BY DATE



**HUITT ZOLLARS**  
HUITT-ZOLLARS, INC.  
10350 RICHMOND AVE.  
SUITE 300,  
HOUSTON, TEXAS 77532  
TX FIRM NO. F-761

CITY OF BASTROP, TEXAS  
OLD IRON BRIDGE  
REHABILITATION

ELECTRICAL RGB LIGHTING PLAN

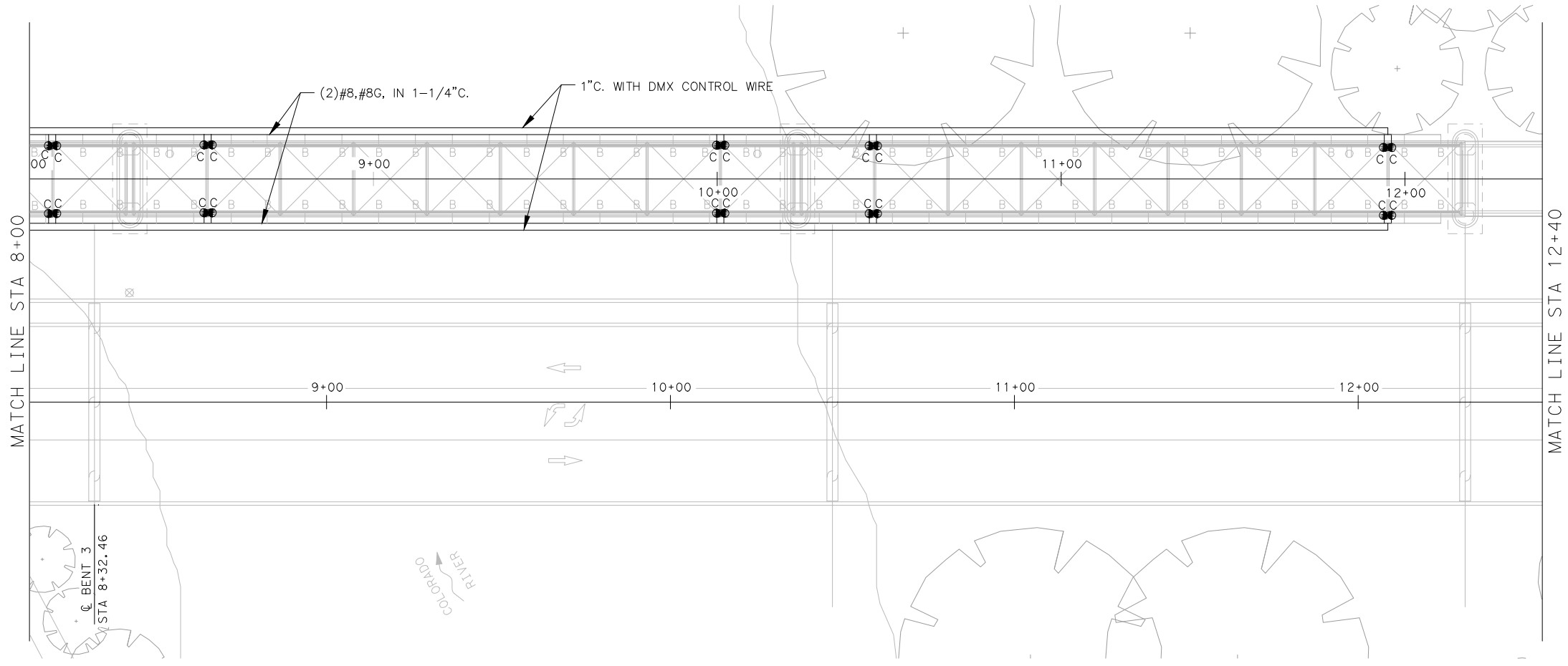
SHEET 1 OF 6

DESIGN	DRAWN	APPR.	DATE	PROJ. NO.	NO.
LC	JB	GC	MAY 2026	24-01691	84B

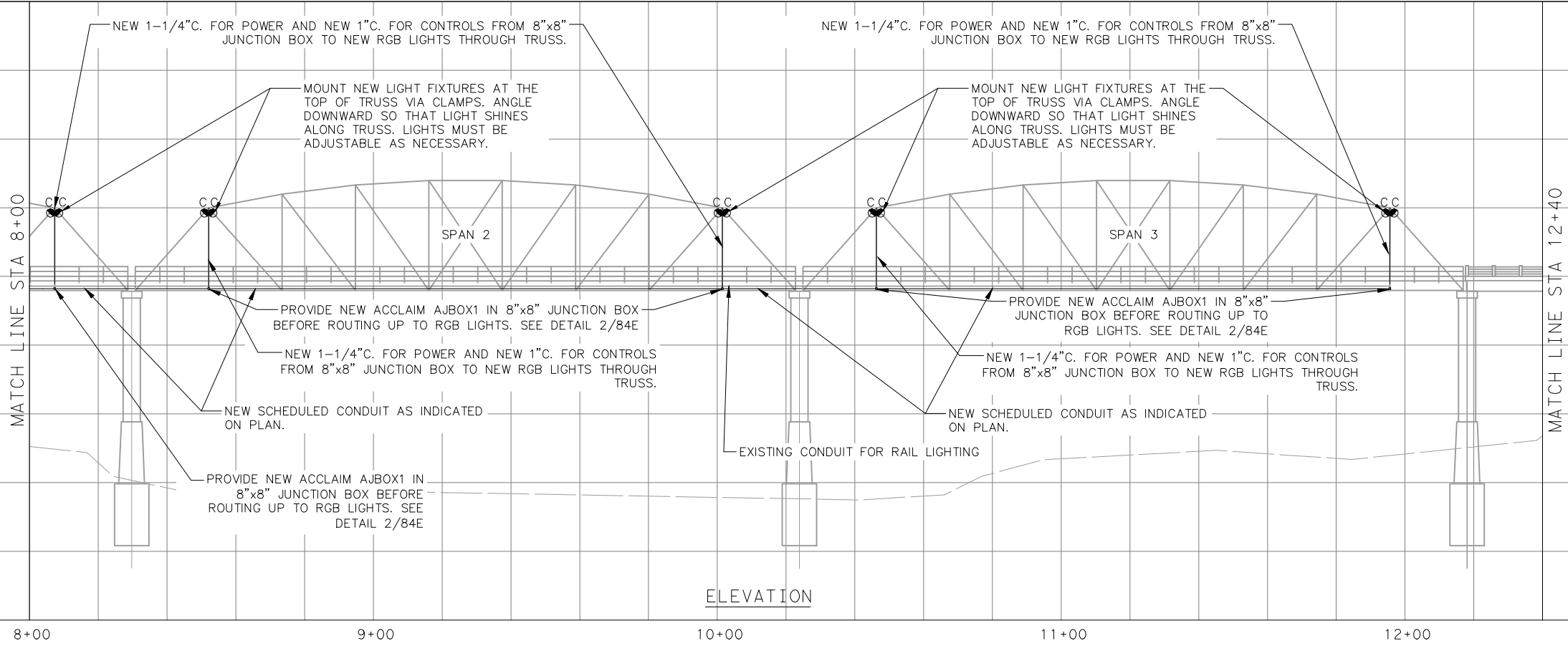
- LEGEND
- ⊗ LIGHT POLE AND FIXTURE
  - ⊕ RECEPTACLE
  - RAIL LIGHTING
  - NEW WIRE AND CONDUIT
  - NEW RGB LIGHTING. CATALOG NUMBER DE3CY2-DE3EQ-DE30D-DE3PS
  - PANEL P2 CIRCUIT NUMBER WHERE "XX" DENOTES THE CIRCUIT NUMBER.

GENERAL NOTES:

1. CONDUIT TO BE MOUNTED TO SIDE OF BRIDGE. CONTRACTOR SHALL ATTACH CONDUIT TO STRUCTURE IN LOCATIONS REQUIRED TO PROVIDE SUPPORT. NO SCREWS, DRILLING, OR WELDING ON TO STRUCTURE IS ALLOWED. CUSTOM CONDUIT ATTACHMENT TO BE PROVIDED BY CONTRACTOR.
2. ALL LIGHTING ON BRIDGE TO BE MOUNTED USING A UL-LISTED CLAMP STYLE. NO SCREWS OR DRILLING INTO STRUCTURE IS ALLOWED

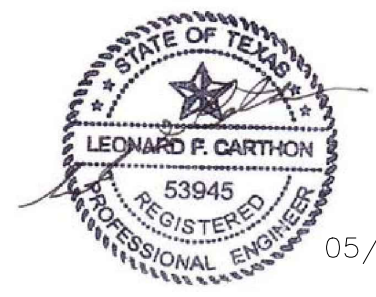


PLAN



ELEVATION

2	100% CD	05/19/26
1	60% CD	04/29/26
NO.	REVISION	BY DATE



05/19/26

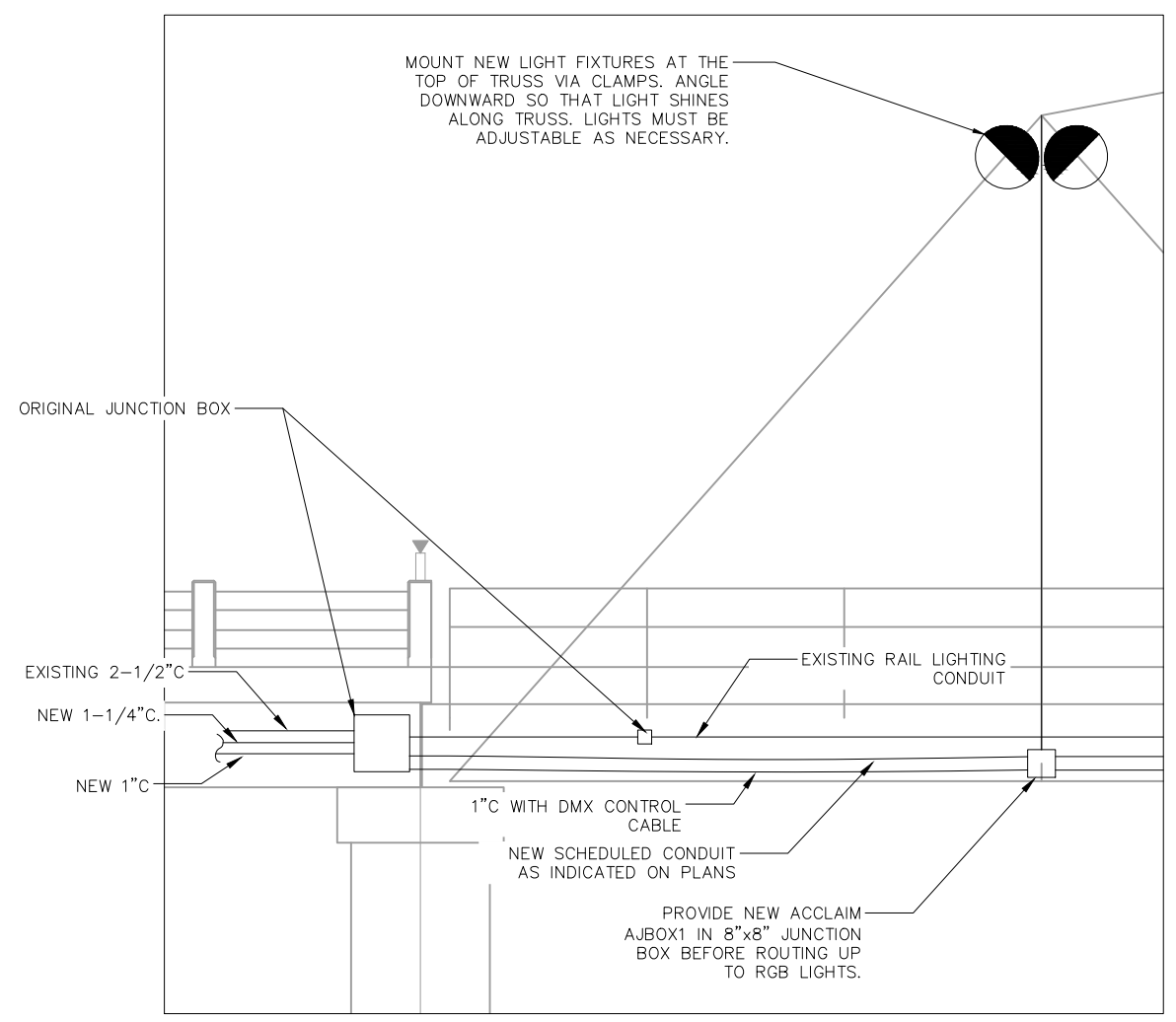
**HUITT ZOLLARS**  
HUITT-ZOLLARS, INC.  
10350 RICHMOND AVE.  
SUITE 300,  
HOUSTON, TEXAS 77532  
TX FIRM NO. F-761

CITY OF BASTROP, TEXAS  
OLD IRON BRIDGE  
REHABILITATION

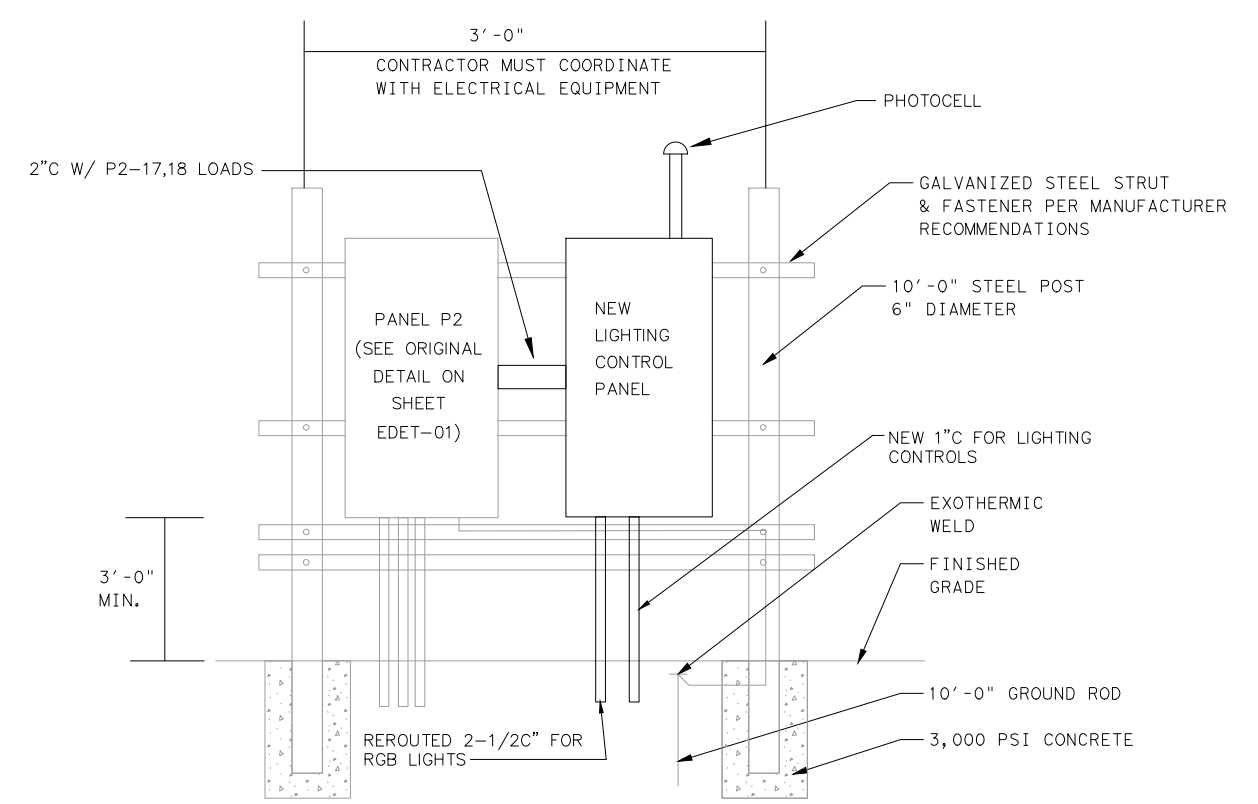
ELECTRICAL RGB LIGHTING PLAN

SHEET 2 OF 6

DESIGN	DRAWN	APPR.	DATE	PROJ. NO.	NO.
LC	JB	GC	MAY 2026	24-01691	84C



1 ENLARGED CONDUIT ROUTING DETAIL  
SCALE=NTS



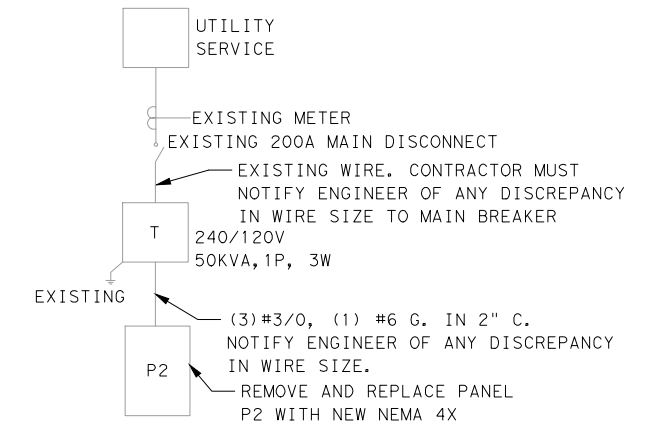
2 EXISTING ELECTRICAL SERVICE RACK WITH NEW LIGHTING CONTROL PANEL DETAIL  
SCALE=NTS

PANEL "P2"		EXISTING (EAST END)																		
240/120 VOLT, 1 PHASE, 3 WIRE		200 AMP MCB																		
14 KAIC BRANCH CIRCUIT		Feeder: COPPER (3) #3/0, (1) #6 GND.																		
LOAD SERVED	PHASE LOAD	#	WIRE #	WIRE SIZE	GND SIZE	CND SIZE	CKT BKR			CKT BKR			WIRE			GND SIZE	CND SIZE	#	PHASE LOAD	LOAD SERVED
							calc	AMP	P	Ø	AMP	calc	P	#	SIZE	SIZE	SIZE			
EXISTING	960	1	2	#12	#12	1/2"	8.00	20	1	A	20	8.00	1	2	#12	#12	1/2"	2	960	EXISTING
EXISTING	3,840	3	2	#8	#10	3/4"	32.00	40	1	C	30	20.00	1	2	#10	#10	3/4"	4	2,400	EXISTING
EXISTING	2,880	5	2	#10	#10	3/4"	24.00	30	1	A	20	8.00	1	2	#12	#12	1/2"	6	960	EXISTING
EXISTING	2,400	7	2	#10	#10	3/4"	20.00	30	1	C	30	20.00	1	2	#10	#10	3/4"	8	2,400	EXISTING
NEW LIGHTS/RECEPTACLES	996	9	2	#3	#3	1-1/4"	8.30	20	1	A	20	12.50	1	2	#1	#1	2"	10	1,500	HANDRAIL LIGHTING
HANDRAIL LIGHTING	1,500	11	2	#3	#3	1-1/4"	12.50	20	1	C	20	12.50	1	2	#1	#1	2"	12	1,500	HANDRAIL LIGHTING
HANDRAIL LIGHTING	1,500	13	2	#3	#3	1-1/4"	12.50	20	1	A	20	12.50	1	2	#1/0	#1/0	2"	14	1,500	HANDRAIL LIGHTING
HANDRAIL LIGHTING	1,500	15	2	#1/0	#1/0	2"	12.50	20	1	C	20	7.50	1	2	#3	#3	1-1/4"	16	900	RECEPTACLES
LIGHTING CONTROLLER	1,500	17	2	#12	#12	1/2"	12.50	20	1	A	20	10.00			#8	#8	1-1/4"	18	1,200	RGB LIGHTS
SPARE		19								C								20		SPARE

LOAD ANALYSIS			
PHASE	AMPS	KVA	
PHASE A	116.30	14	
PHASE C	137.00	16	
		TOTAL CONNECTED KVA	30
		ESTIMATED DEMAND KVA	25
		ESTIMATED DEMAND AMPS	105

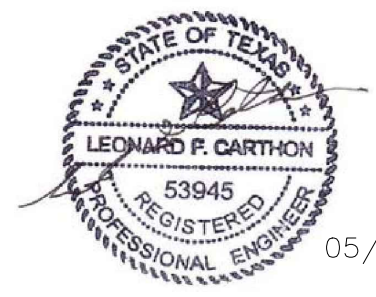
  

LOAD DESCRIPTION	CONNECTED KVA		DEMAND KVA
	NON-CONT	CONT	
LIGHTING	10	-	10
RECEPTACLES	20	-	15
MOTORS	-	-	-
TRANSFORMERS	-	-	-
KITCHEN	-	-	-
OTHER	-	-	-



3 ONE-LINE DIAGRAM (FOR REFERENCE)  
SCALE=NTS

NO.	REVISION	BY	DATE
2	100% CD		05/19/26
1	60% CD		04/29/26



05/19/26

**HUITT ZOLLARS**  
HUITT-ZOLLARS, INC.  
10350 RICHMOND AVE.  
SUITE 300,  
HOUSTON, TEXAS 77532  
TX FIRM NO. F-761

CITY OF BASTROP, TEXAS  
OLD IRON BRIDGE  
REHABILITATION

ELECTRICAL DETAILS

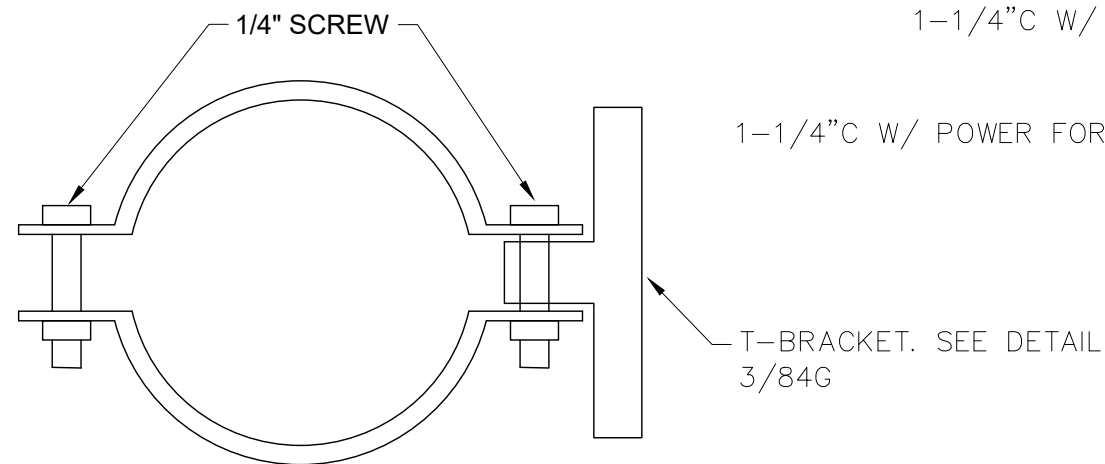
SHEET 3 OF 6

DESIGN	DRAWN	APPR.	DATE	PROJ. NO.	NO.
LC	JB	GC	MAY 2026	24-01691	84D

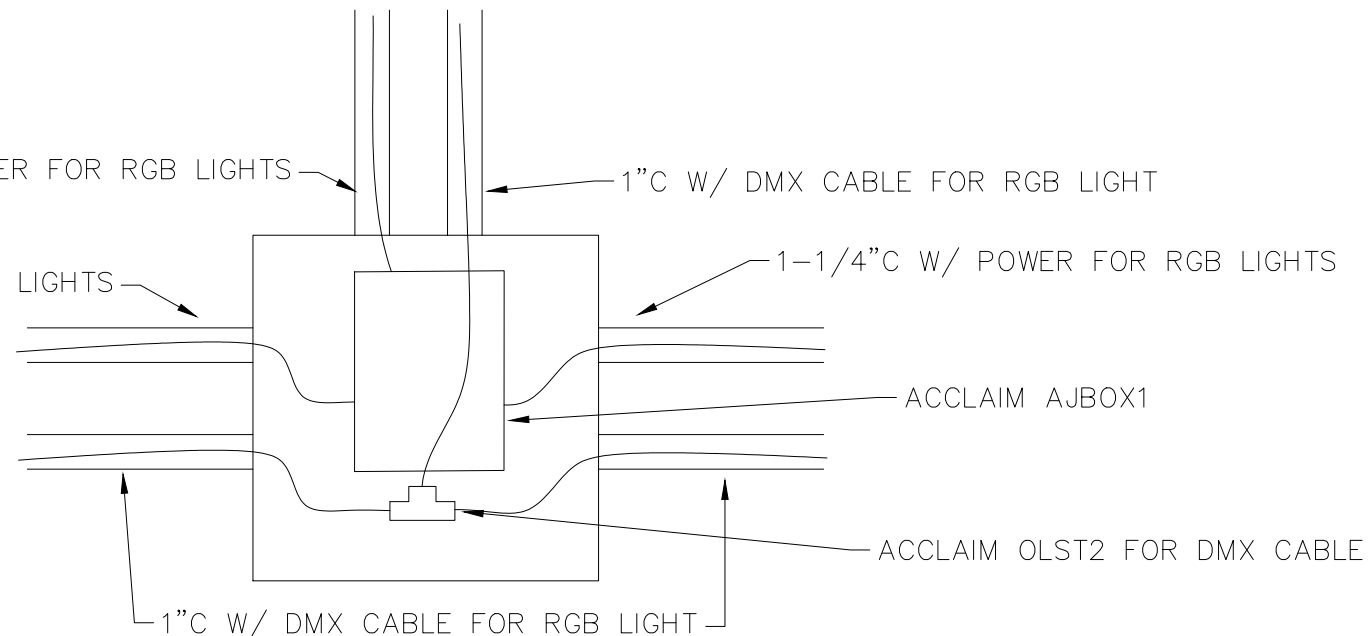
**LIGHT FIXTURE SCHEDULE**

Item 5A.

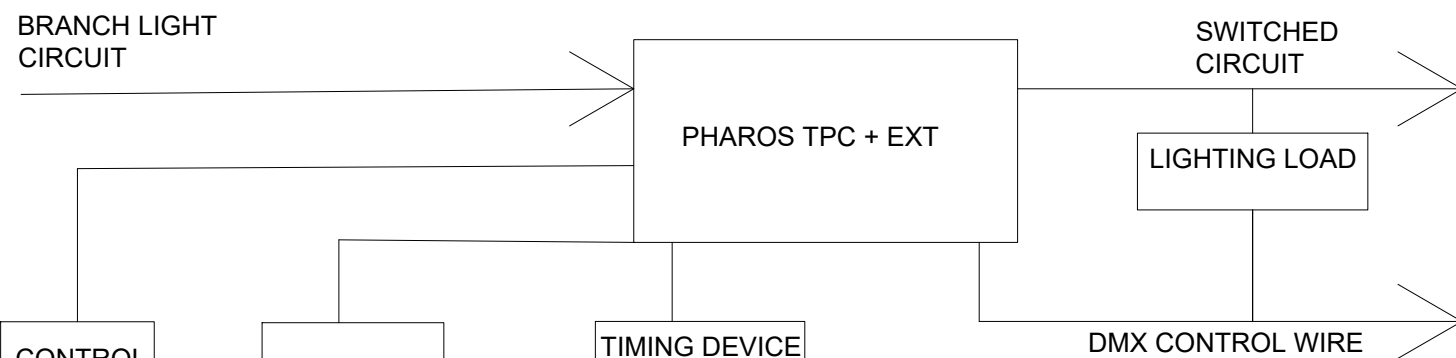
TYPE	CATALOG NUMBER	LAMP TYPE	VOLTAGE	WATTAGE	CCT	MANUFACTURER	DESCRIPTION	NOTE
C	DE3CY2-DE3EQ-DE3OD-DE3PS	LED	UNV	50	3000	ACCLAIM	RGB LIGHTS	TO BE MOUNTED WITH PIPE CLAMPS



1 TYPICAL PIPE CLAMP DETAIL  
SCALE=NTS



2 TYPICAL 8"x8" JUNCTION BOX W/ ACCLAIM AJBOX1 DETAIL  
SCALE=NTS



INPUT: DOES USER WANT TO SWITCH LIGHTS ON OR OFF?

OUTPUT: IF ON, DO NOTHING. PHOTOCELL AND TIMER WILL OPERATE THE LIGHTS. IF OFF, SWITCH LIGHTS OFF

INPUT: IS TARGET LIGHT LEVEL REACHED DUE TO DAYLIGHT CONTRIBUTION?

OUTPUT: IF YES, TURN ON LIGHTS. IF NO, TURN OFF LIGHTS.

INPUT: IS IT THE SCHEDULED TIME TO SWITCH THE LIGHTS ON?

OUTPUT: IF YES, TURN LIGHTS ON. IF NO, TURN LIGHTS OFF.

3 LIGHTING LOGIC CONTROL DIAGRAM  
SCALE=NTS

**PROJECT GENERAL NOTES:**

- ALL WORK SHALL BE IN ACCORDANCE WITH LIFE SAFETY AND ELECTRICAL CODES AS WELL AS ALL STATE AND NATIONAL CODES AS THEY APPLY TO THE PROJECT AND TO PUBLIC SAFETY.
- THE CONTRACTOR SHALL OBTAIN ALL PERMITS AND PAY ALL FEES AND CHARGES TO ALL LOCAL AND OTHER RELATED AGENCIES AS REQUIRED.
- PROVIDE ALL MATERIALS, LABOR, EQUIPMENT, AND SERVICES NECESSARY FOR A COMPLETE AND OPERABLE INSTALLATION AS SPECIFIED AND SHOWN ON THE DRAWINGS, FULLY TESTED, ADJUSTED, AND READY FOR USE.
- THE DRAWINGS SHOW THE EXTENT OF THE WORK AND THE GENERAL ARRANGEMENT. THE DRAWINGS, HOWEVER, ARE DIAGRAMMATIC AND EXACT LOCATIONS OF THE LIGHTING FIXTURES AND DRIVERS ARE TO BE FIELD VERIFIED PRIOR TO INSTALLATION AND IS THE RESPONSIBILITY OF THE CONTRACTOR.
- VERIFY ANY AND ALL INDICATED CONFIGURATIONS, DIMENSIONS, AND ELEVATIONS BY FIELD MEASUREMENTS AND COORDINATE WITH STRUCTURAL CONDITIONS.
- ALL MATERIALS, EQUIPMENT, AND APPARATUS INSTALLED ON THE PROJECT SHALL BE NEW AND INSTALLED IN STRICT ACCORDANCE WITH MANUFACTURER REQUIREMENTS.

NO.	REVISION	BY	DATE
2	100% CD		05/19/26
1	60% CD		04/29/26



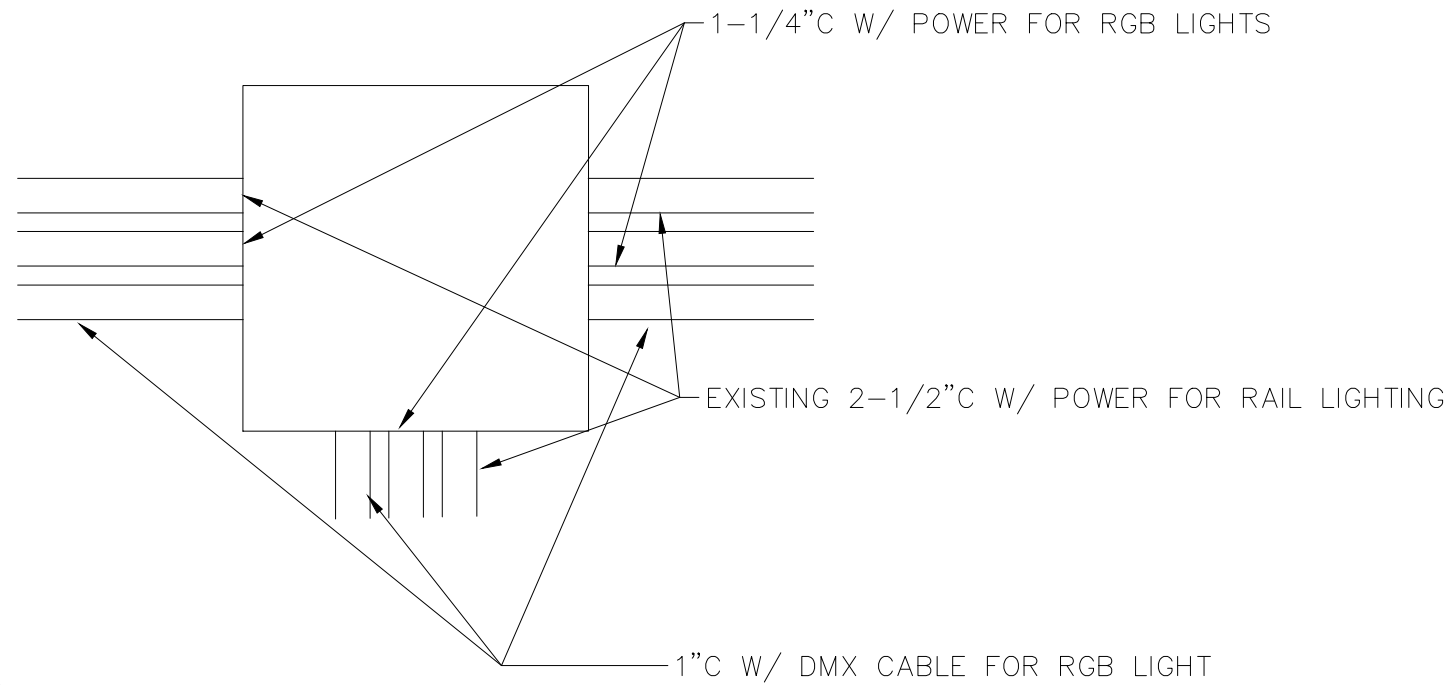
**HUITT ZOLLARS**  
HUITT-ZOLLARS, INC.  
10350 RICHMOND AVE.  
SUITE 300,  
HOUSTON, TEXAS 77532  
TX FIRM NO. F-761

CITY OF BASTROP, TEXAS  
OLD IRON BRIDGE  
REHABILITATION

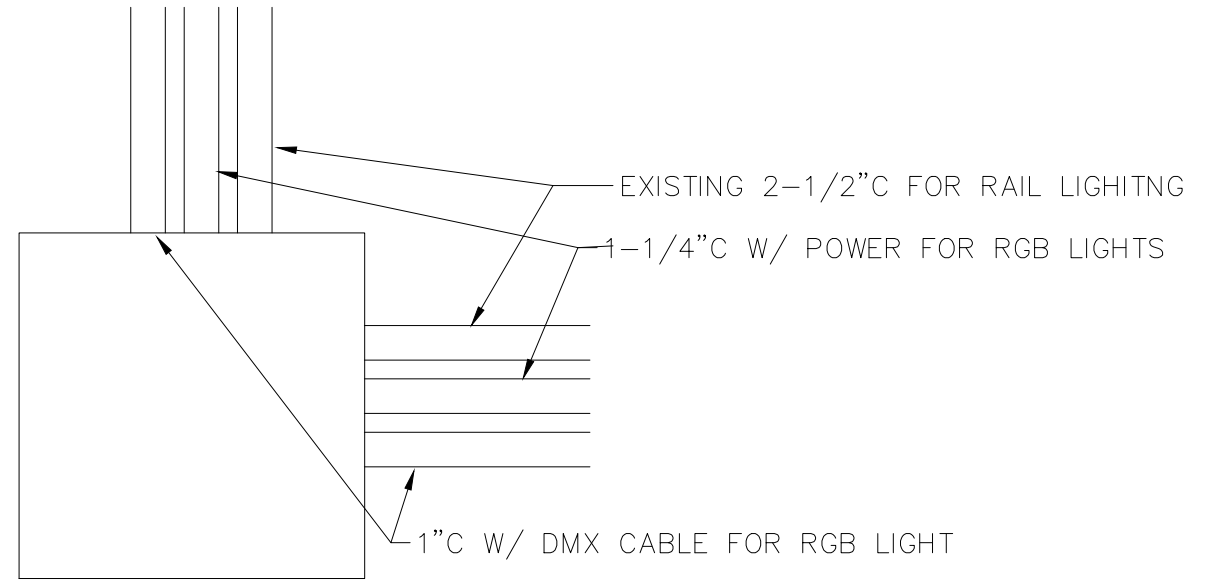
ELECTRICAL DETAILS 2

SHEET 4 OF 6

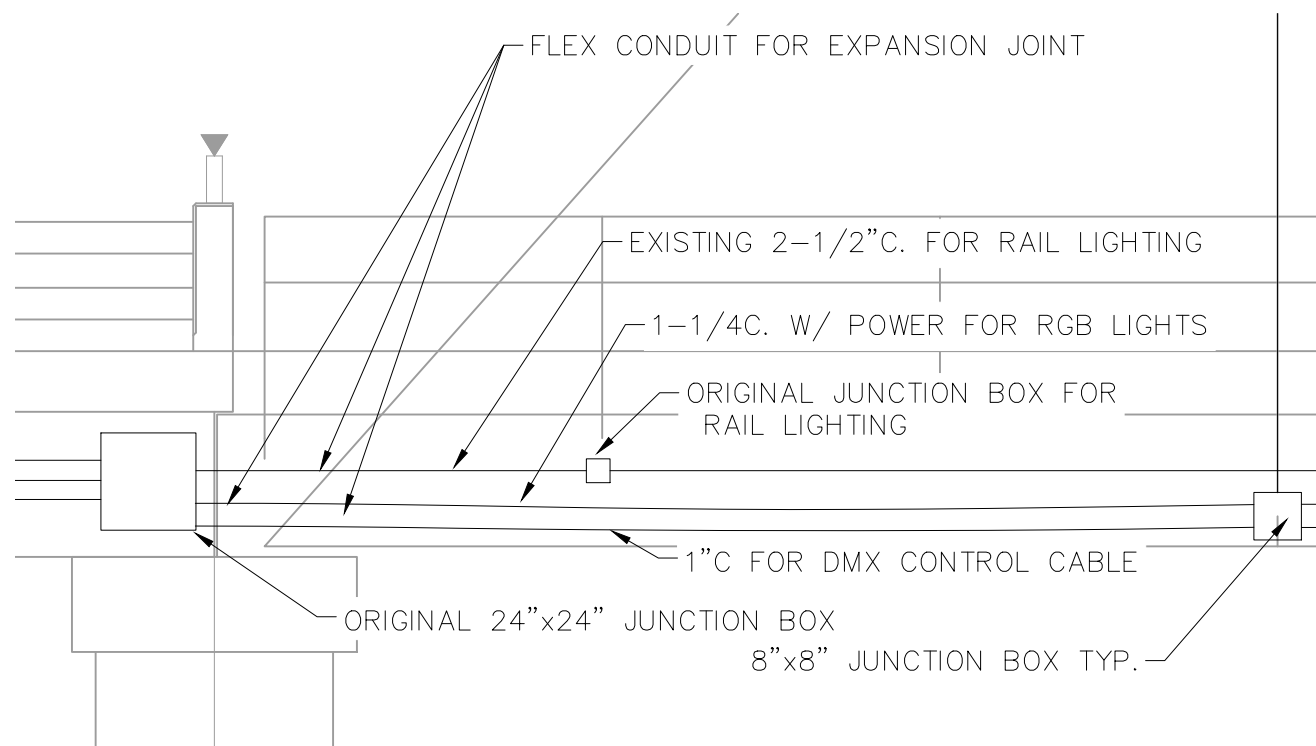
DESIGN	DRAWN	APPR.	DATE	PROJ. NO.	NO.
LC	JB	GC	MAY 2026	24-01691	84E



1 12"X12" PULLBOX DETAIL  
SCALE=NTS

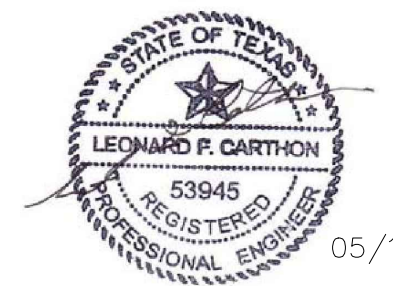


2 12"X12" L-SHAPE PULLBOX DETAIL  
SCALE=NTS



3 TYPICAL EXPANSION JOINT DETAIL  
SCALE=NTS

NO.	REVISION	BY	DATE
2	100% CD		05/19/26
1	60% CD		04/29/26



05/19/26

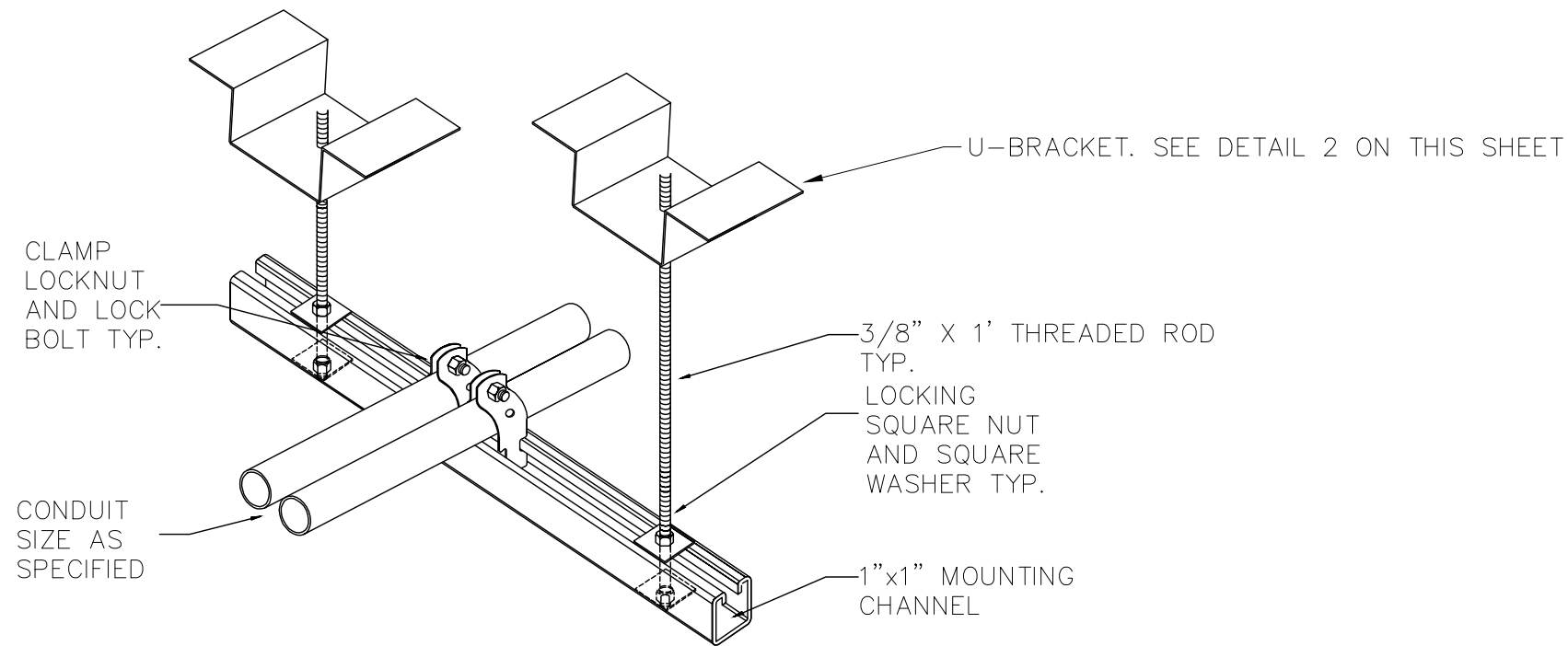
**HUITT ZOLLARS**  
HUITT-ZOLLARS, INC.  
10350 RICHMOND AVE.  
SUITE 300,  
HOUSTON, TEXAS 77532  
TX FIRM NO. F-761

CITY OF BASTROP, TEXAS  
OLD IRON BRIDGE  
REHABILITATION

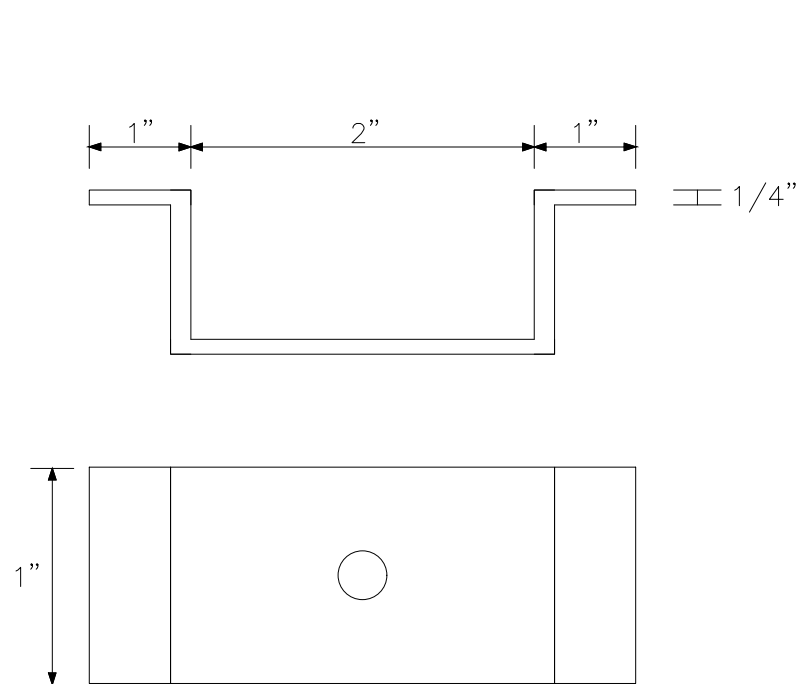
ELECTRICAL DETAILS 3

SHEET 5 OF 6

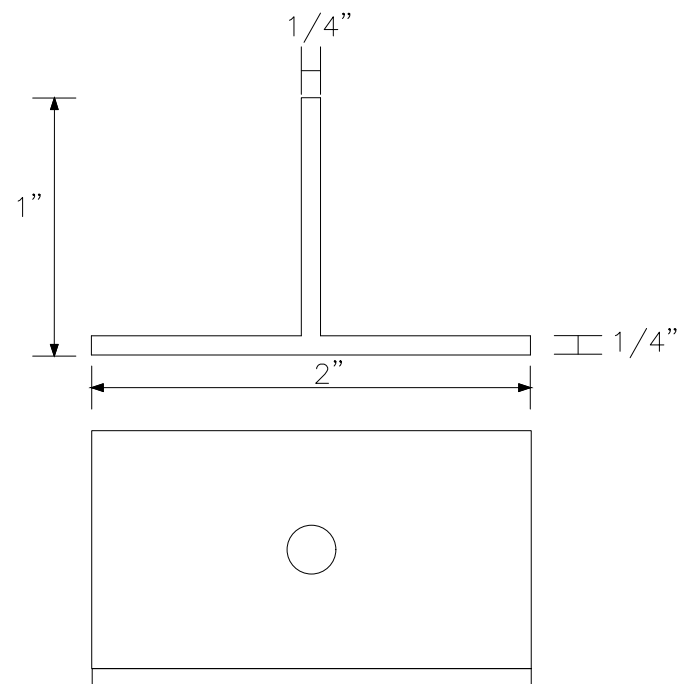
DESIGN	DRAWN	APPR.	DATE	PROJ. NO.	NO.
LC	JB	GC	MAY 2026	24-01691	84F



1 CONDUIT SUSPENDED FROM BRIDGE DETAIL  
SCALE=NTS



2 TYPICAL U-SHAPE STEEL BRACKET  
SCALE=NTS



3 TYPICAL T-SHAPE STEEL BRACKET  
SCALE=NTS

2	100% CD	05/19/26
1	60% CD	04/29/26
NO.	REVISION	BY DATE



05/19/26

**HUITT ZOLLARS**  
 HUITT-ZOLLARS, INC.  
 10350 RICHMOND AVE.  
 SUITE 300,  
 HOUSTON, TEXAS 77532  
 TX FIRM NO. F-761

CITY OF BASTROP, TEXAS  
 OLD IRON BRIDGE  
 REHABILITATION

ELECTRICAL DETAILS 4

SHEET 6 OF 6

DESIGN	DRAWN	APPR.	DATE	PROJ. NO.	NO.
LC	JB	GC	MAY 2026	24-01691	84G